

(0.635 mm) .025"

MIS SERIES

MIXED TECHNOLOGY SOCKET

SPECIFICATIONS

For complete specifications and recommended PCB layouts see www.samtec.com?MIS

Insulator Material:
Liquid Crystal Polymer
Contact Material:
Phosphor Bronze

Plating:
Au or Sn over
50 μ" (1.27 μm) Ni
Operating Temp Range:
-55 °C to +125 °C

Voltage Rating:
275 VAC
Max Cycles:
100
RoHS Compliant:
Yes

Board Mates:
MIT

Standoffs:
SO

PROCESSING

Lead-Free Solderable:
Yes
SMT Lead Coplanarity:
(0.10 mm) .004" max (019-057)
Board Stacking:
For applications requiring more than two connectors per board contact ipg@samtec.com

RECOGNITIONS

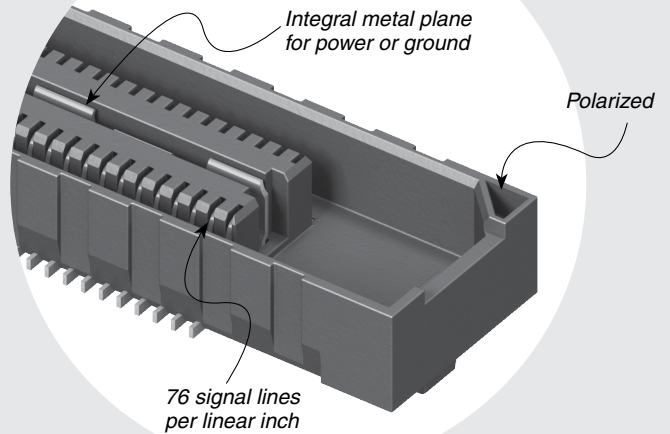
For complete scope of recognitions see www.samtec.com/quality



FILE NO. E111594

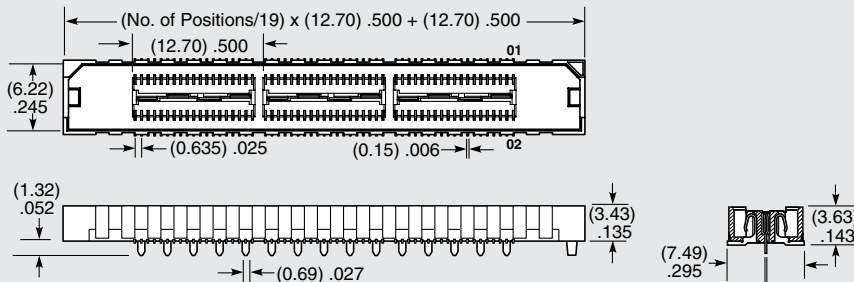
ALSO AVAILABLE (MOQ Required)

- 11 mm, 16 mm, 18.75 mm and 22 mm stack height
- 30 μ" (0.76 μm) Gold
- Differential Pair and "Partitionable" (combine differential & single-ended banks in same connector) available.
- 76, 95, 114 and 133 positions per row



MIS	POSITIONS PER ROW	01	PLATING OPTION	D	OPTION	PACKAGING
	-019, -038, -057 (38 total positions per bank)		-F = Gold Flash on Signal Pins and Ground Plane, Matte Tin on tails -L = 10 μ" (0.25 μm) Gold on Signal Pins and Ground Plane, Matte Tin on tails -C* = Electro-Polished Selective 50 μ" (1.27 μm) min Au over 150 μ" (3.81 μm) Ni on Signal Pins in contact area, 10 μ" (0.25 μm) min Au over 50 μ" (1.27 μm) Ni on Ground Plane in contact area, Matte Tin over 50 μ" (1.27 μm) min Ni on all solder tails		-K = (7.00 mm) .275" DIA Polyimide film Pick & Place Pad	Leave blank for tray packaging -TR =Tape & Reel -FR = Full Reel Tape & Reel (must order max. quantity per reel; contact Samtec for quantity breaks)

***Note:**
-C Plating passes 10 year MFG testing



Note: Rugged through-hole ground plane soldered to board (requires paste-over-hole, not press-fit) for added retention to PCB.

MIS LEAD STYLE	MATED HEIGHT*	
	MIT LEAD STYLE -01	MIT LEAD STYLE -02
-01	(5.00) .197	(8.00) .315

*Processing conditions will affect mated height. See SO Series for board space tolerances.

Note:
Some lengths, styles and options are non-standard, non-returnable.

X-ON Electronics

Largest Supplier of Electrical and Electronic Components

Click to view similar products for [Board to Board & Mezzanine Connectors](#) category:

Click to view products by [Samtec](#) manufacturer:

Other Similar products are found below :

[589158040000018](#) [FCN-230C068-11](#) [FCN-268F012-G/BD](#) [FCN-268F036-G/BD](#) [FCN-268M012-G/0D](#) [FCN-268M024-G/1D](#) [FCN-723J004/1](#) [MIS-048-01-F-D-DP-K](#) [832-10-034-10-001000](#) [FX4C-80S-1.27DSA](#) [FCN-214Q030-G/0](#) [FCN-234P048-G/0](#) [FCN-235D050-G/C](#) [210-93-314-41-105000](#) [2-22603-0](#) [MDF7-40DP-2.54DSA\(55\)](#) [AXG720047](#) [5031084030](#) [MIT-114-03-F-D-K](#) [55323-1519](#) [DF33-2P-3.3DSA\(24\)](#) [YFT-20-05-H-03-SB-K](#) [503308-3040](#) [026-6203-PDB](#) [027-6203-PDB](#) [069159702701000](#) [10123981-102LF](#) [101A10019X](#) [55650-0588-C](#) [68684-306](#) [75140-7012](#) [589159005003045](#) [194261-1](#) [FCN-268F024-G0D](#) [10124054-515LF](#) [68685-603](#) [8-1616154-3](#) [MIS-019-01-F-D](#) [589159005002045](#) [541371078](#) [IL-WX-10PB-HF-B-E1000E](#) [FCN-268M024-G/3D](#) [20021832-06016C1LF](#) [KX15-20KLDL-E1000E](#) [MDF7-16DP-2.54DSA\(55\)](#) [AXE810124](#) [FCN-214J100-G/0](#) [FCN-230C068-E/S](#) [AXE812124](#) [AXE816124](#)