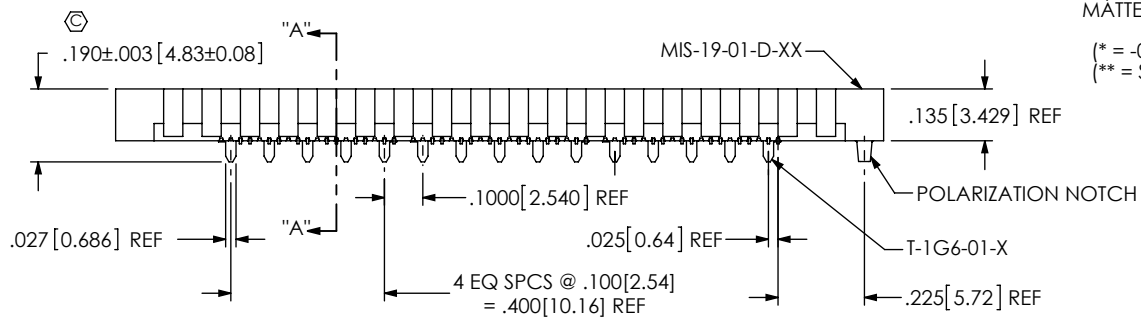
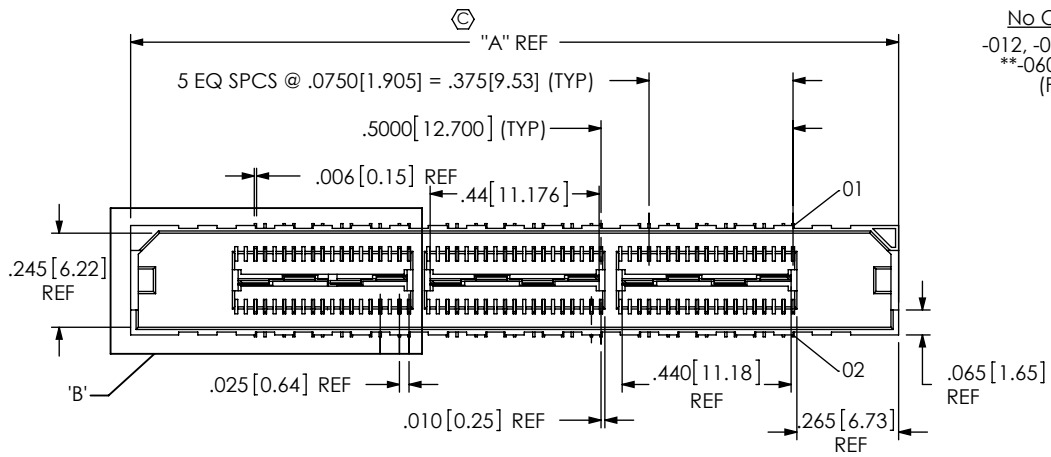


DO NOT SCALE FROM THIS PRINT



**NO OF POSITIONS**  
 -012, -024, -036, \*\*048, \*\*060, \*\*072, \*084 (PER ROW)

**OPTION**  
 -K: POLYIMIDE FILM PAD (USE K-DOT-325-.450-.005, SEE FIG 2, SHEET 2)  
 -TR: TAPE & REEL (-048 POS MAX)

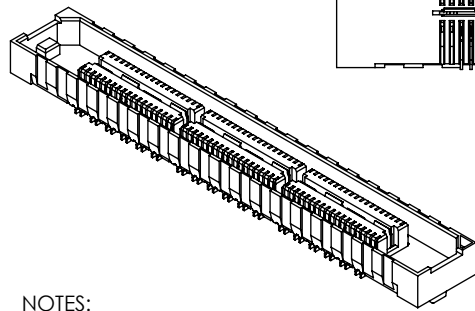
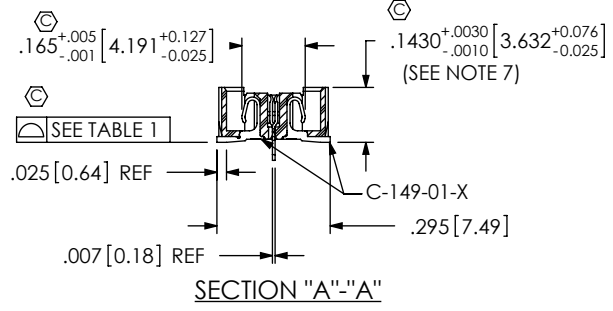
**DIFFERENTIAL PAIR**

**LEAD STYLE**  
 -01: .1430 [3.632]

**ROW SPECIFICATION**  
 -D: DOUBLE (USE MIS-19-01-D-XX)

**PLATING SPECIFICATION**  
 -F: 3μ" FLASH SELECTIVE GOLD IN CONTACT AREA, MATTE TIN ON TAIL (USE C-149-01-F AND T-1G6-01-L) (SEE NOTE 9)  
 -L: 10μ" LIGHT SELECTIVE GOLD IN CONTACT AREA, WITH MATTE ON TIN TAIL (USE C-149-01-L AND T-1G6-01-L)  
 -H: 30μ" HEAVY SELECTIVE GOLD IN CONTACT AREA, 3μ" GOLD ON TAIL (USE C-149-01-H AND T-1G6-01-G)  
 -C: 50μ" ELECTRO-POLISHED SELECTIVE GOLD IN CONTACT AREA, MATTE TIN ON TAIL (USE C-149-01-C AND T-1G6-01-L)

(\* = -084 NO OF POS NOT ENGINEERING APPROVED)  
 (\*\* = SEE NOTE 10)



**TABLE 2**

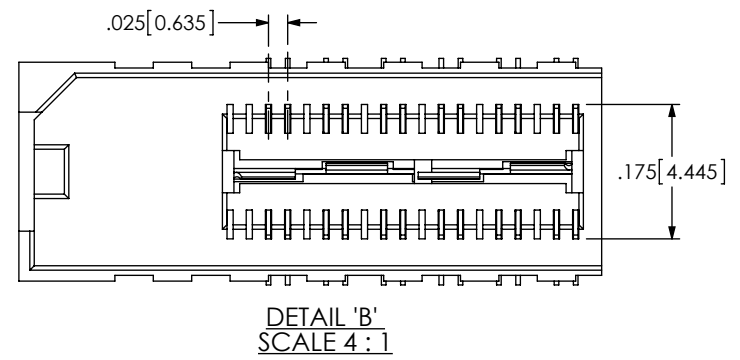
No. OF POS	"A"
-012	1.000 [25.40]
-024	1.500 [38.10]
-036	2.000 [50.80]
-048	2.500 [63.50]
-060	3.000 [76.20]
-072	3.500 [88.90]
-084	4.000 [101.60]

**TABLE 1**

No OF POS	COPLANARITY
-012 THRU -048	.004 [0.10]
-060 THRU -084	.006 [0.15]

- NOTES:
1. Ⓢ REPRESENTS A CRITICAL DIMENSION.
  2. BURR ALLOWANCE: .0015 [0.038] MAX.
  3. CONTACT RETENTION: 5 OZ MINIMUM.
  4. GROUND PLANE RETENTION: 8 OZ MINIMUM.
  5. MAXIMUM ALLOWABLE BOW: .002 INCH/INCH [0.05 mm/mm] AFTER ASSEMBLY.
  6. PARTS TO BE MOLDED TO POSITION.
  7. MAX VARIANCE OF .002 [0.05].
  8. NOTE DELETED.
  9. -L PLATING CAN BE SUBSTITUTED FOR -F PLATING.
  10. PLEASE CONTACT SAMTEC INTERCONNECT PROCESSING GROUP BEFORE DESIGNING IN.
  11. NOTE DELETED.

FIG 1  
 MIS-036-01-X-D-DP SHOWN




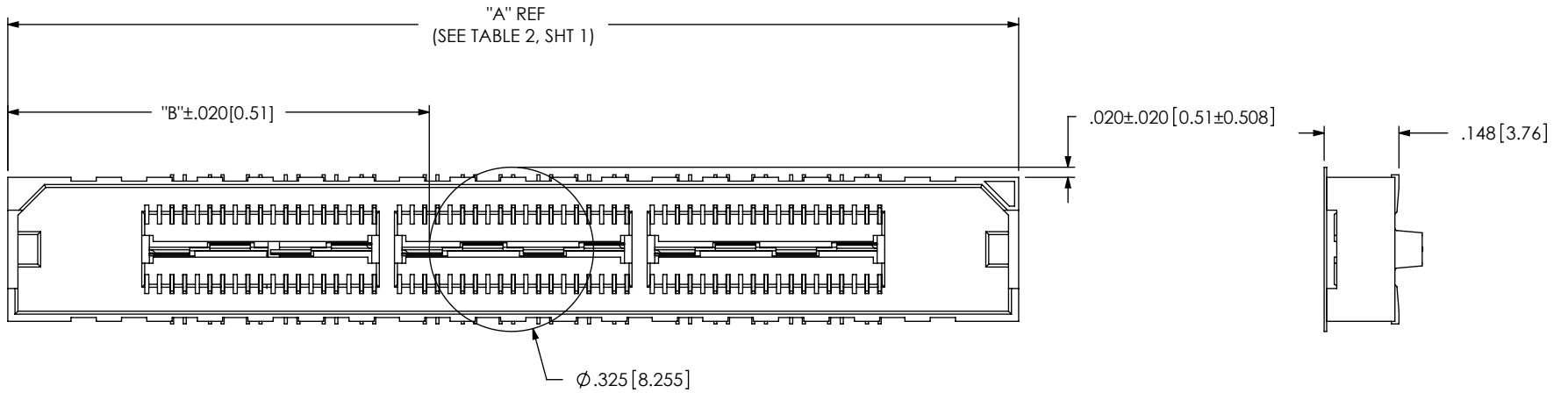
UNLESS OTHERWISE SPECIFIED, DIMENSIONS ARE IN INCHES. TOLERANCES ARE: DECIMALS ANGLES .XX: ±.01 [3] ± 2° .XXX: ±.005 [13] .XXXX: ±.0020 [051]	<b>PROPRIETARY NOTE</b> THIS DOCUMENT CONTAINS INFORMATION CONFIDENTIAL AND PROPRIETARY TO SAMTEC, INC. AND SHALL NOT BE REPRODUCED OR TRANSFERRED TO OTHER DOCUMENTS OR DISCLOSED TO OTHERS OR USED FOR ANY PURPOSE OTHER THAN THAT WHICH IT WAS OBTAINED WITHOUT THE EXPRESSED WRITTEN CONSENT OF SAMTEC, INC.		
		520 PARK EAST BLVD, NEW ALBANY, IN 47150 PHONE: 812-944-6733 FAX: 812-948-5047 e-Mail: info@SAMTEC.com code: 55322	
<b>MATERIAL:</b> DO NOT SCALE DRAWING SHEET SCALE: 2:1 INSULATOR: LCP, COLOR: BLACK CONTACT: PHOS BRONZE GROUND PLANE: PHOS BRONZE	<b>DESCRIPTION:</b> .635mm DIFFERENTIAL PAIRS HS SOCKET ASSEMBLY	DWG. NO. <b>MIS-XXX-XX-X-D-DP-XX</b>	BY: DEAN P 3/2/2001 SHEET 1 OF 2

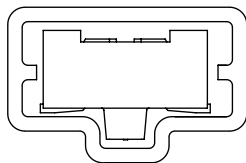
FIG 2  
 -K: POLYIMIDE FILM PAD  
 (USE K-DOT-.325-.450-.005)



**TABLE 3**

No. OF POS	"B"
-012	.338 [8.57]
-024	.588 [14.92]
-036	.838 [21.27]
-048	1.088 [27.62]
-060	1.338 [33.97]
-072	1.588 [40.32]
-084	1.838 [46.67]

**PACKAGING VIEW**  
 [PARTS TO HAVE POSITION #1 LOADED  
 IN SAME DIRECTION AS ARROW ON TUBE]



TUBE: PT-1-24-01-85  
 PLUG: TP-24

**PROPRIETARY NOTE**  
 THIS DOCUMENT CONTAINS INFORMATION  
 CONFIDENTIAL AND PROPRIETARY TO  
 SAMTEC, INC. AND SHALL NOT BE REPRODUCED  
 OR TRANSFERRED TO OTHER DOCUMENTS OR  
 DISCLOSED TO OTHERS OR USED FOR ANY  
 PURPOSE OTHER THAN THAT WHICH IT WAS  
 OBTAINED WITHOUT THE EXPRESSED WRITTEN  
 CONSENT OF SAMTEC, INC.

DO NOT SCALE DRAWING

SHEET SCALE: 3:1



520 PARK EAST BLVD, NEW ALBANY, IN 47150  
 PHONE: 812-944-6733 FAX: 812-948-5047  
 e-Mail: info@SAMTEC.com code: 55322

DESCRIPTION:  
 .635mm DIFFERENTIAL PAIRS HS SOCKET ASSEMBLY

DWG. NO. **MIS-XXX-XX-X-D-DP-XX**

BY: DEAN P 3/2/2001 SHEET 2 OF 2

## X-ON Electronics

Largest Supplier of Electrical and Electronic Components

*Click to view similar products for [Board to Board & Mezzanine Connectors](#) category:*

*Click to view products by [Samtec](#) manufacturer:*

Other Similar products are found below :

[10135583-642402LF](#) [89885-310LF](#) [589158040000018](#) [6-1393048-0](#) [68683-613](#) [MDF7-12DP-2.54DSA](#) [MDF7-18P-2.54DSA\(01\)](#) [MDF7-20DP-2.54DSA](#) [MDF7-26D-2.54DSA\(55\)](#) [MDF7-3P-2.54DSA\(01\)](#) [MDF7B-3P-2.54DSA\(55\)](#) [MDF7C-11P-2.54DSA\(55\)](#) [MDF7C-18P-2.54DSA\(55\)](#) [MDF7C-5P-2.54DSA\(01\)](#) [MDF7P-5P-2.54DSA\(55\)](#) [75234-0516](#) [FCN-230C068-11](#) [FCN-268F012-G/BD](#) [FCN-268F036-G/BD](#) [FCN-268M012-G/0D](#) [FCN-268M024-G/1D](#) [FCN-360C008-C](#) [FCN-360C040-C](#) [FCN-723J004/1](#) [MIS-048-01-F-D-DP-K](#) [832-10-034-10-001000](#) [93696-325LF](#) [11828-1FA](#) [AXK630345P](#) [18097-0013](#) [ICA-328STT](#) [2007042-2](#) [304400-2](#) [FCN-214Q030-G/0](#) [FCN-215Q040-G/0](#) [FCN-230C068-ESA](#) [FCN-234P048-G/0](#) [FCN-235D050-G/C](#) [FCN-360A3](#) [FCN-360C040-B](#) [210-93-314-41-105000](#) [2-22603-0](#) [379-064-521-202](#) [MDF7-12P-2.54DSA\(01\)](#) [MDF7-16P-2.54DS\(56\)](#) [MDF7-40DP-2.54DSA\(55\)](#) [MDF7-8P-2.54DSA\(55\)](#) [MDF7B-16P-2.54DSA\(55\)](#) [AXG720047](#) [5031084030](#)