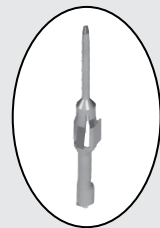
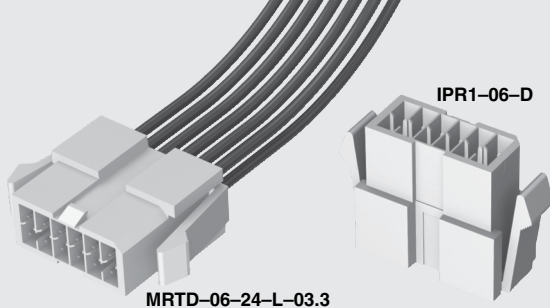




miniMATE®



T1M74-L-01-F

(2.54 mm) .100"

MRTD, MRTDT, IPR1, T1M74-L, T1M74-R SERIES

# PANEL MOUNT DISCRETE WIRE CABLE

Mates with:  
MMSD(T)

## SPECIFICATIONS

For complete specifications see [www.samtec.com?MRTD](http://www.samtec.com?MRTD) or [www.samtec.com?MRTDT](http://www.samtec.com?MRTDT)

**Insulator Material:**

Nylon 66

**Contact Material:**

Phosphor Bronze

**Plating:**

Au or Sn over

50 μ" (1.27 μm) Ni

**Operating Temp Range:**

-40 °C to +105 °C (PVC)

-55 °C to +125 °C (\*Teflon®)

**Wire:**

20 to 30 AWG

**RoHS Compliant:**

Yes

\*DuPont™ Teflon® is a registered trademark of the E.I. du Pont de Nemours and Company or its affiliates.

## RECOGNITIONS

For complete scope of recognitions see [www.samtec.com/quality](http://www.samtec.com/quality)



FILE NO. E111594

**Note:**

Teflon® cable is intended

for crimp only.

Contact Samtec for solderable cable applications.

TYPE	PINS PER ROW	WIRE GAUGE	PLATING OPTION	ASSEMBLY LENGTH	PINOUT
<b>MRTD</b> = Double Row PVC Cable	-02, -03, -04, -05, -06,	-20 -20C* (MRTD only)	-L = 10 μ" (0.25 μm) Gold on contact	- "XX.X" = Assembly Length in Inches Single ended = (76.2 mm) 03.0" min. Double ended = (84.0 mm) 03.3" min.	Leave blank for single ended cable assembly.
<b>MRTDT</b> = Double Row Blue *Teflon® Cable (20, 24, 28 & 30 AWG only)	-08, -10, -12, -15 (Standard sizes)	-22 -24 -24C* (MRTD only)			-L1 = Plastic Transfer Latch up, straight -L4 = Plastic Transfer Latch down, straight

MRTD/MRTDT

MRTD/MRTDT

MRTD/MRTDT

**APPLICATION**

**Note:** Acceptable panel thickness of (0.84 mm) .0329" to (2.28 mm) .0897"

## SPECIFICATIONS

For complete specifications see [www.samtec.com?IPR1](http://www.samtec.com?IPR1), [www.samtec.com?T1M74-L](http://www.samtec.com?T1M74-L) or [www.samtec.com?T1M74-R](http://www.samtec.com?T1M74-R)

## RECOGNITIONS

For complete scope of recognitions see [www.samtec.com/quality](http://www.samtec.com/quality)



FILE NO. E111594

## TOOLING

- Hand Tool:  
CAT-HT-174-2030-13
- Mini Applicator (20-24 AWG):  
CAT-MC-174-2024-XX-01
- Mini Applicator (26-30 AWG):  
CAT-MC-174-2630-XX-01
- Extraction Tool:  
CAT-EX-74-01

TYPE	PINS PER ROW	D	TYPE	WIRE GAUGE	PLATING OPTION
<b>IPR1</b> = Body, Loose	-02, -03, -04, -05, -06, -08, -10, -12, -15 (Standard sizes)	-D = Double Row	<b>T1M74-L</b> = Contact, Loose	-01 = 26 to 30 AWG -02 = 20 to 24 AWG	-F = Gold flash on contact -L = 10 μ" (0.25 μm) Gold on contact

Insulator Material: Nylon

Insulator Material: Nylon

Contact Material: Phosphor Bronze

## X-ON Electronics

Largest Supplier of Electrical and Electronic Components

*Click to view similar products for [Rectangular Cable Assemblies](#) category:*

*Click to view products by [Samtec](#) manufacturer:*

Other Similar products are found below :

[MC320E-N-23](#) [A08KR08KR26E203B](#) [G125FC10668L0-0300L](#) [G125FC10668L0-0150L](#) [G125-FC11068L0-0150L](#) [G125-FC11068L0-0300L](#)  
[A06XAF06XAF22K254B](#) [A16KR16KR26E203B](#) [A12KR12KR26E305A](#) [A12KR12KR26E305B](#) [A12ZR12ZR28H203B](#)  
[A12ZR12ZR28H203A](#) [A10SR10SR30K254A](#) [A09SR09SR30K305A](#) [A14KR14KR26E254A](#) [A14KR14KR26E254B](#) [A10ZR10ZR28H254A](#)  
[A09ZR09ZR28H305A](#) [A09ZR09ZR28H305B](#) [A13ZR13ZR28H203A](#) [A13KR13KR26E305B](#) [A11ZR11ZR28H254A](#) [A11ZR11ZR28H254B](#)  
[A11SR11SR30K254A](#) [A12SUR12SUR32W254A](#) [A10ZR10ZR28H305B](#) [A12ZR12ZR28H254A](#) [A15KR15KR26E305A](#)  
[A15KR15KR26E305B](#) [A11SR11SR30K305A](#) [A13ZR13ZR28H254A](#) [A12ZR12ZR28H305A](#) [A12ZR12ZR28H305B](#) [A20XAF20XAF22K51B](#)  
[A13ZR13ZR28H305A](#) [A20XAF20XAF22K152B](#) [A20XAF20XAF22K203B](#) [A20XAF20XAF22K254B](#) [A20XAF20XAF22K305B](#)  
[A16XSR16XSR36R254B](#) [A02SR02SR30K203B](#) [A06KR06KR26E102A](#) [A02ZR02ZR28H203B](#) [A03SUR03SUR32W102A](#)  
[A04ZR04ZR28H102A](#) [A04ZR04ZR28H102B](#) [A03SR03SR30K203B](#) [A02ZR02ZR28H254B](#) [A04SR04SR30K102B](#)  
[A02SUR02SUR32W254A](#)