

NOTES

1. MAX ALLOWABLE BOW: .005 IN/IN [mm/mm] AFTER ASSEMBLY.
2. TERMINAL PUSHOUT FORCE: 2 lbs. MIN.
3. MAX PIN ROTATION IN BODY: 2°.
4. Ⓢ REPRESENTS A CRITICAL DIMENSION FOR STATISTICAL PROCESS CONTROL USE.
5. CUT FLASH .010 [.25] MAX
6. TUBE POSITIONS 8-50.

DIMENSIONS ARE IN INCHES UNLESS OTHERWISE NOTED TOLERANCES ARE:		TITLE:	DWG NO:
ONE PLACE DECIMALS ± .1 [3]	THREE PLACE DECIMALS ± .005 [.13]	TERMINAL MICRO STRIP	MTMS-1XX-XX-XX-X-X-XXX
TWO PLACE DECIMALS ± .01 [.3]	FOUR PLACE DECIMALS ± .0020 [.051]	ANGLES ± 2°	SHEET 1 OF 1

MTMS-1XX-XX-XX-X-X-XXX

BODY LENGTH SPEC EXPRESSED IN # POS PER ROW

TERMINAL SPEC SEE TABLE 1

PLATING SPECIFICATION

- POLARIZING OPTION XXX INDICATES POS. TO BE OMITTED (SEE FIGURE 1)
- POST HEIGHT XXX="A" (SEE TABLE 1) (SEE 'A' MAX. FOR MAX POST HEIGHT FOR EACH LEAD STYLE) (.000 MIN.)
- ROW OPTION
 - S: SINGLE (USE HTMS-50-S)
 - D: DOUBLE (USE HTMS-50-D)

- G: GOLD, SPECIFY -G IN TERMINAL SUFFIX -XX
- T: TIN, SPECIFY -T IN TERMINAL SUFFIX -XX AVAILABLE ON -01, -02, -25, -51, & -52 LEAD STYLES ONLY
- S: SELECTIVE, SPECIFY -S IN TERMINAL SUFFIX -XX
- F: FLASH SELECTIVE GOLD, SPECIFY -F IN TERMINAL SUFFIX -XX
- TM: MATTE TIN, SPECIFY -T IN TERMINAL SUFFIX -XX AVAILABLE ON -01, -02, -25, -51, & -52 LEAD STYLES ONLY
- SM: HEAVY GOLD SELECTIVE, MATTE TIN TAIL, SPECIFY -S IN TERMINAL SUFFIX -XX
- FM: FLASH GOLD SELECTIVE, MATTE TIN TAIL, SPECIFY -F IN TERMINAL SUFFIX -XX
- L: LIGHT GOLD SELECTIVE, MATTE TIN TAIL, SPECIFY -L IN TERMINAL SUFFIX -XX

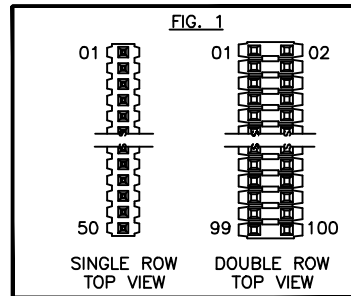
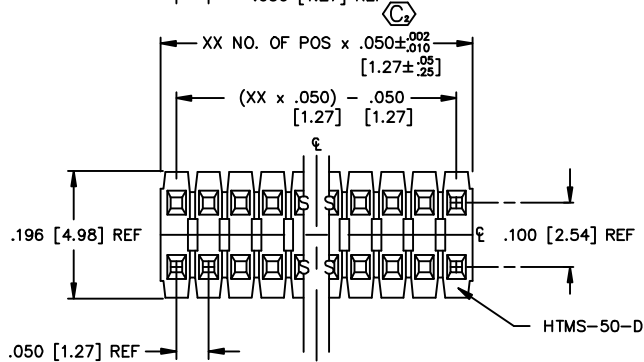
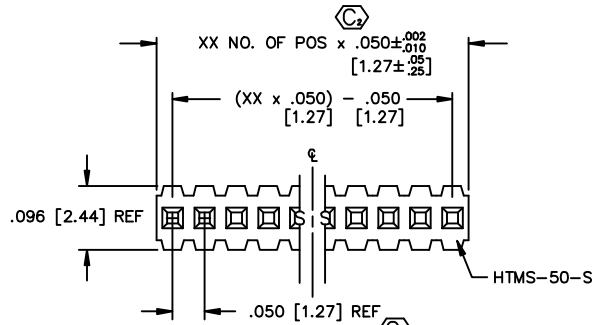


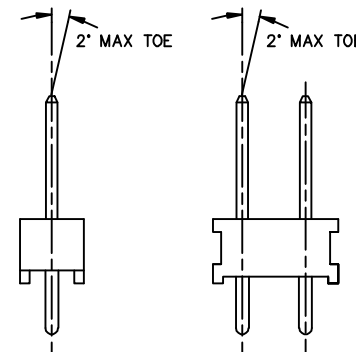
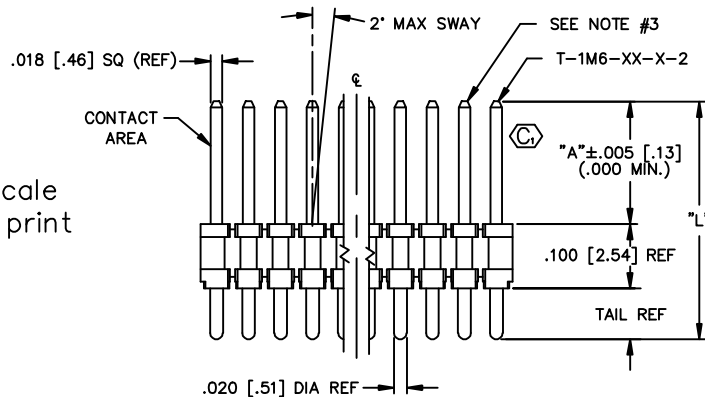
TABLE 2

PACKAGING TUBE TABLE (SEE NOTE 6)

BODY STYLE	LEAD STYLE	TUBE	PLUG
MTMS-DOUBLE STRAIGHT STYLES	-01, -21, -51, -52	PT-1-24-01-22	TP-03
	-02, -25	PT-1-24-05-38	TP-03
	-53	PT-1-24-02-66	TP-03
	-55, -56	PT-1-24-01-29	TP-24
	-54	PT-1-24-02-46	TP-03
	-57	PT-1-24-02-25	TP-03
	-58	PT-1-24-16-29	TP-07
	-59	PT-1-24-16-29	TP-07
	-60	PT-1-24-18-29	TP-07
	MTMS-SINGLE STRAIGHT STYLES	-01, -21, -53	PT-1-24-01-24
-58, -59, -60		PT-1-24-10-03	TP-03
-02, -25		PT-1-24-01-12	TP-12
-51, -52		PT-1-24-01-24	TP-24
-54, -55		PT-1-24-02-03	TP-24
-57		PT-1-24-01-46	TP-24
-56		PT-1-24-02-03	TP-24

TABLE 1

LEAD STYLE	TERMINAL SPEC.	'L'	'A' MAX.
-01	T-1M6-18-X-2	.450 [11.43]	.230 [5.84]
-02	T-1M6-17-X-2	.320 [8.13]	.100 [2.54]
-25	T-1M6-25-X-2	.330 [8.38]	.125 [3.18]
-51	T-1M6-02-X-2	.410 [10.41]	.190 [4.83]
-52	T-1M6-12-X-2	.425 [10.80]	.205 [5.21]
-53	T-1M6-04-X-2	.505 [12.83]	.285 [7.24]
-54	T-1M6-14-X-2	.555 [14.10]	.335 [8.51]
-55	T-1M6-03-X-2	.610 [15.49]	.390 [9.91]
-56	T-1M6-13-X-2	.625 [15.88]	.405 [10.29]
-57	T-1M6-19-X-2	.650 [16.51]	.430 [10.92]
-58	T-1M6-05-X-2	.705 [17.91]	.485 [12.32]
-59	T-1M6-15-X-2	.755 [19.18]	.535 [13.59]
-60	T-1M6-16-X-2	.825 [20.96]	.605 [15.37]



Do not scale from this print

PROPRIETARY NOTE
THIS DOCUMENT CONTAINS INFORMATION CONFIDENTIAL AND PROPRIETARY TO SAMTEC, INC. AND SHALL NOT BE REPRODUCED OR TRANSMITTED IN ANY FORM OR BY ANY MEANS, ELECTRONIC OR MECHANICAL, INCLUDING PHOTOCOPYING, RECORDING, OR BY ANY INFORMATION STORAGE AND RETRIEVAL SYSTEM, WITHOUT THE WRITTEN CONSENT OF SAMTEC, INC.

MADE BY: GREG REIDINGER 5-8-91
CHECKED BY: McCARTIN

ENG. APPROVAL: DEM

520 PARK EAST BLVD. NEW ALBANY, INDIANA 47150
PHONE (812) 944-6733 P.O. BOX 1147
CODE: 55322

MTMS-1XX-XX-XX-X-X-XXX
SHEET 1 OF 1

X-ON Electronics

Largest Supplier of Electrical and Electronic Components

Click to view similar products for [Headers & Wire Housings](#) category:

Click to view products by [Samtec](#) manufacturer:

Other Similar products are found below :

[95000-104TRLF](#) [10135584-644402LF](#) [DF62W-EP2022PCA](#) [95000-106TRLF](#) [DF62W-2022SCA](#) [DF62W-EP2022PC](#) [2203348](#) [DF62W-2022SC](#) [1084018](#) [1029039](#) [1084017](#) [802-10-012-10-002000](#) [1112640](#) [1112639](#) [891-007-9SS-BST1T](#) [000-34000](#) [0008550134](#) [0009482033](#) [0009507031](#) [57102-F02-18ULF](#) [57102-S06-03LF](#) [57202-S52-04LF](#) [PCN6-15S-2.5E](#) [0039019024](#) [58102-G61-06LF](#) [582553-1](#) [0009485154](#) [0009508121](#) [009176003701906](#) [0022285053](#) [0050291907](#) [018731A](#) [LY20-4P-DT1-P1E-BR](#) [02.125.8002.8](#) [60101931](#) [60598-1 \(Cut Strip\)](#) [M1625-3R/100](#) [61062-3](#) [61082-181009](#) [CSU011177004](#) [636-1427](#) [638009-1](#) [641938-9](#) [641991-4](#) [644168-1](#) [644827-2](#) [647662-1](#) [65039-019ELF](#) [65692-001LF](#) [65781-018](#)