



MUSBR-B Series

MUSBR-B Series - High Retention Mini USB 2.0, Type B

Part Number: MUSBR-05-F-O-B-SM-A



Interactive 3D graphic, click to activate and rotate.

About Samtec

Founded in 1976, we are a privately held, \$613 million global manufacturer of a broad line of electronic interconnect solution blocks, including IC-to-Board/Ultra Micro, High Speed Board-to-Board, High Speed Cables, Future-Proof/Active Optics, Flexible Stacking, and Micro/Rugged components and cables. To meet the interconnect challenges of tomorrow and beyond, Samtec has developed unique Technology Centers to help optimize the entire signal transmission path... from the IC to the panel and beyond, and all points in between.

Quality Policy Statement

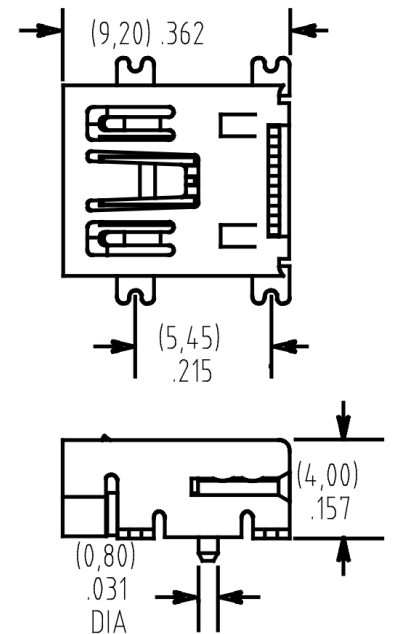
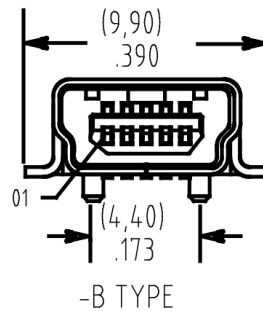
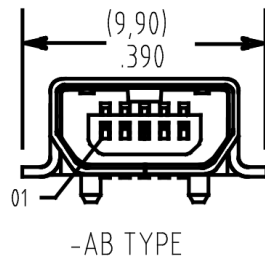
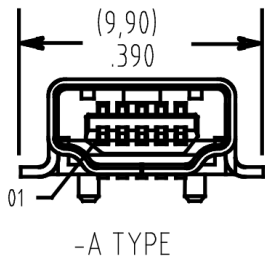
As the service leader in the connector industry providing High Speed Density Electronic and Electrical Connectors and Interconnects, Samtec is committed to conducting its business in a manner that will preserve and protect the environment.

- Complying with environmental laws and other requirements
- Promoting the prevention of pollution
- Conserving natural resources
- Recycling materials
- Reducing waste

Samtec USA | 520 Park East Boulevard | P.O. Box 1147 | New Albany, IN 47151-1147
Tel: +1-812-944-6733 | Fax: +1-812-948-5047 | Email: info@samtec.com

MUSBR-B Series - High Retention Mini USB 2.0, Type B

Technical Details	
Part Number	MUSBR-05-F-O-B-SM-A
Series	MUSBR-B
Type	-B - Type B
Plating Options	-F - Gold Flash on Mating Area, Tin on Tails
Color	Orange
Termination	-SM - Surface Mount
Alignment Pin	-A - Alignment Pin



X-ON Electronics

Largest Supplier of Electrical and Electronic Components

Click to view similar products for [USB Connectors](#) category:

Click to view products by [Samtec](#) manufacturer:

Other Similar products are found below :

[65-647-8-BK-BU](#) [950](#) [952](#) [E8144-B01021-L](#) [A-USB B-TOP-C](#) [MUSBA511N5](#) [MUSBD11135](#) [217450-1](#) [KMBVX-TH-5S-B30](#) [896-30-004-00-000000](#) [KUSBVX-BS1N-W30](#) [KUSBX-AP-KIT-SCBLK](#) [KUSBX-AS2N-W](#) [KUSBX-SMT2AP1S-W](#) [KUSBX-SMT2AP1S-W30](#) [935](#) [957](#) [30-498-6](#) [SK-60A-2](#) [17-210051](#) [1734082-1](#) [30-1574](#) [30-470](#) [30-489](#) [30-541](#) [30-572-3](#) [A-USB A-2P-C](#) [MIKROE-1451](#) [USBFTV2PEM2G](#) [USBFTVC6ZN](#) [KUSBX-AS2N-W30](#) [KUSBX-SLAS1N-W](#) [KUSBX-SMT-AS1N-W30](#) [4689-1](#) [1-1734084-2](#) [E8110-001-01](#) [33UBARS1-04SW11](#) [33UBAR-04SW11](#) [USBF21ZNSCC](#) [USBBFTV6ZC](#) [10135326-001LF](#) [M9177/3-1](#) [USB-A-S-F-B-VT](#) [925](#) [4198](#) [690-024-633-031](#) [KUSBEX-BSFS1N-W](#) [USBFTVC6MRG](#) [UA-20BMFA-SL8001](#) [17-250101](#)