

DO NOT SCALE FROM THIS PRINT

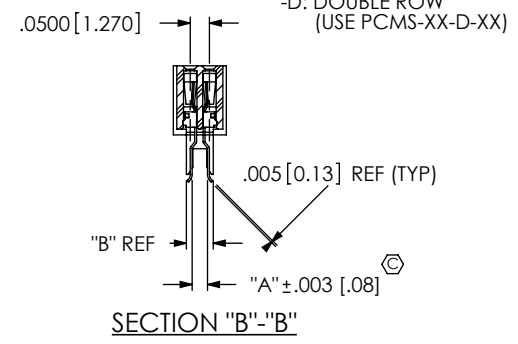
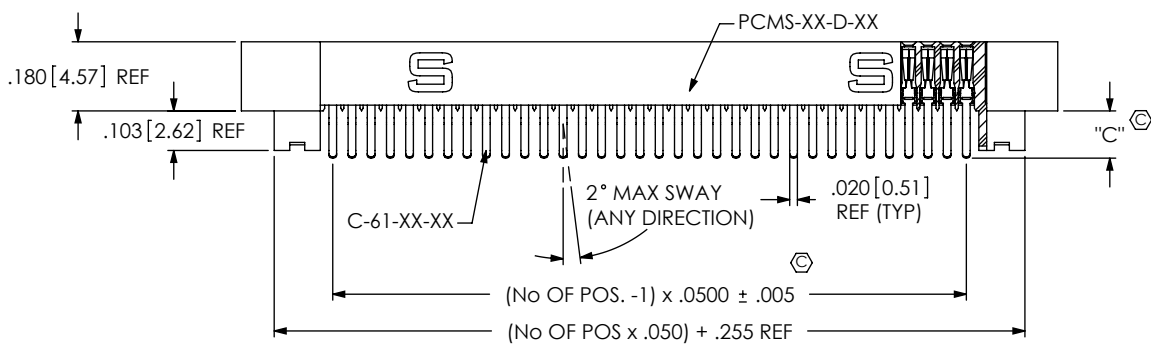
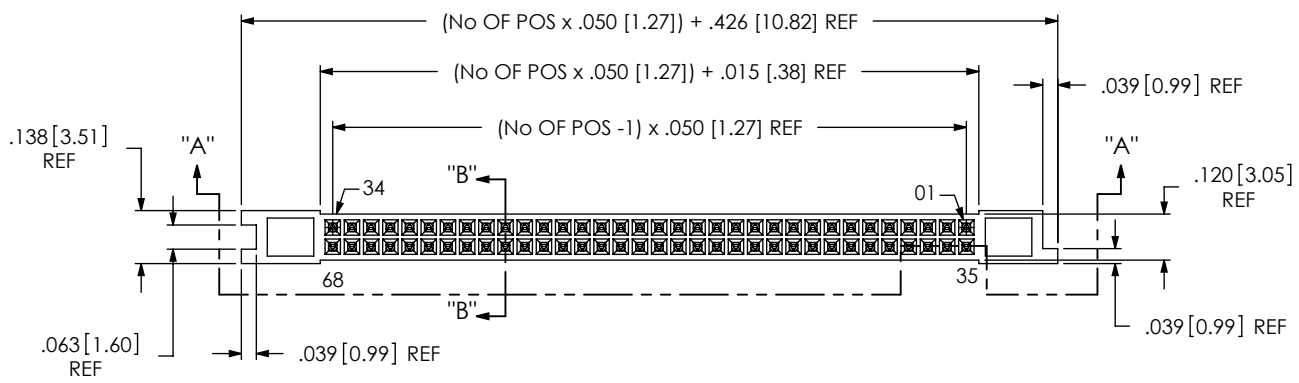
PCMS-1XX-XX-XX-D

NO. OF POSITIONS
20, 25, 30, 34, 40, 50
(PER ROW)

LEAD STYLE
-01: FOR .031" BOARD
(USE C-61-07-XX)
(USE PCMS-XX-D-01)
-02: FOR .062" BOARD
(USE C-61-08-XX)
(USE PCMS-XX-D-02)

PLATING
-S: 30µ" SELECTIVE GOLD IN CONTACT AREA, MATTE TIN ON TAIL
-F: 3µ" FLASH SELECTIVE GOLD IN CONTACT AREA, MATTE TIN ON TAIL
-L: 10µ" LIGHT SELECTIVE GOLD IN CONTACT AREA, MATTE TIN ON TAIL
-LM: 10µ" LIGHT SELECTIVE GOLD IN CONTACT AREA, MATTE TIN ON TAIL
-FM: 3µ" FLASH SELECTIVE GOLD IN CONTACT AREA, MATTE TIN ON TAIL
-SM: 30µ" SELECTIVE GOLD IN CONTACT AREA, MATTE TIN ON TAIL

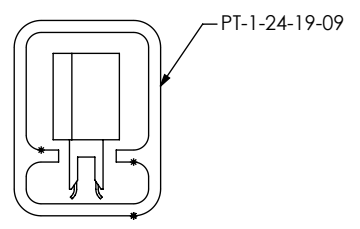
ROW SPECIFICATION
-D: DOUBLE ROW
(USE PCMS-XX-D-XX)



NOTES:

1. Ⓢ REPRESENTS A CRITICAL DIMENSION.
2. NOTE DELETED.
3. NOTE DELETED.
4. MINIMUM PUSHOUT FORCE: .5 LB.
5. MAXIMUM ALLOWABLE BOW: .002 INCH/INCH AFTER ASSEMBLY.
6. ALL POSITIONS ARE TO BE PACKAGED IN PT-1-24-19-09 TUBES WITH TWO TP-09 PLUGS PER TUBE.

PACKAGING
(SEE NOTE 6)



LEAD STYLE	"A"	"B"	"C"
-01	.036 [.91]	.070 [1.78]	.118 [3.00]
-02	.070 [1.78]	.110 [2.79]	.105 [2.67]

UNLESS OTHERWISE SPECIFIED, DIMENSIONS ARE IN INCHES.
TOLERANCES ARE:
DECIMALS ANGLES
.XX: ±.01 [.3] 2°
.XXX: ±.005 [.13]
.XXXX: ±.0020 [.051]

PROPRIETARY NOTE
THIS DOCUMENT CONTAINS INFORMATION CONFIDENTIAL AND PROPRIETARY TO SAMTEC, INC. AND SHALL NOT BE REPRODUCED OR TRANSFERRED TO OTHER DOCUMENTS OR DISCLOSED TO OTHERS OR USED FOR ANY PURPOSE OTHER THAN THAT WHICH IT WAS OBTAINED WITHOUT THE EXPRESSED WRITTEN CONSENT OF SAMTEC, INC.



520 PARK EAST BLVD, NEW ALBANY, IN 47150
PHONE: 812-944-6733 FAX: 812-948-5047
e-Mail: info@SAMTEC.com code: 55322

DO NOT SCALE DRAWING SHEET SCALE: 2.5:1
MATERIAL:
INSULATOR: BLACK VECTRA E130
CONTACT: BeCu

DESCRIPTION:
.050 x .050 EDGE MOUNT SOCKET ASSEMBLY

DWG. NO. **PCMS-1XX-XX-XX-D**

BY: BRATCHER 2/12/99 SHEET 1 OF 1

X-ON Electronics

Largest Supplier of Electrical and Electronic Components

Click to view similar products for [Samtec manufacturer](#):

Other Similar products are found below :

[ESQT-130-03-M-Q-368](#) [ESQT-135-03-F-D-380](#) [QTE-060-01-L-D-A](#) [MSAS-179-ZUGG-18](#) [MTSW-103-07-F-S-240](#) [BCS-116-L-S-TE](#)
[ERF8-020-05.0-S-DV-K-TR](#) [ERF8-060-05.0-L-DV-K-TR](#) [IDMD-10-T-12.00-A-G-R](#) [SDL-115-T-12](#) [SFML-115-01-S-D](#) [SFML-125-01-S-D](#)
[SFSDT-15-28-H-04.50-DR-NDS](#) [LSHM-120-02.5-L-DV-A-N-K-TR](#) [SMS-125-02-S-D](#) [ESQ-110-14-G-D](#) [ESQT-125-03-F-D-310](#) [SO-](#)
[0515-01-01-02](#) [SSW-110-02-H-D](#) [FJH-50-D-12.00-4](#) [CES-150-01-T-D](#) [QTE-040-04-L-D-A](#) [QTH-020-04-F-D-DP-A-K-TR](#) [QTH-060-01-F-](#)
[D-A](#) [QTH-090-04-L-D-A](#) [TCSD-10-S-05.00-01-F-N](#) [TCSD-15-D-02.00-01-N](#) [TFM-115-02-L-DH](#) [TFM-120-12-S-D-LC](#) [TFML-140-02-S-D](#)
[TLW-107-05-G-D](#) [TMM-140-03-S-Q](#) [BDL-136-T-E](#) [TSS-132-01-G-S](#) [TST-113-04-S-D-RA](#) [TSW-105-14-F-D](#) [MMS-110-01-H-DH](#) [HPF-03-](#)
[02-T-S](#) [ZW-20-13-H-D-790-150](#) [ERF8-020-01-L-D-RA-L-TR](#) [ERF8-040-05.0-L-DV-TR](#) [SL-120-T-10](#) [SLM-115-01-S-D](#) [SLW-115-01-H-D](#)
[CLP-132-02-G-D](#) [TFC-125-02-F-D-A-K](#) [TFM-130-03-H-D](#) [TFSDT-50-28-G-14.00-D-NUS](#) [TSW-108-08-G-S-RA](#) [TSW-202-07-T-S](#)