



(2.54 mm) .100"

PEC SERIES

# POWER EDGE CARD CONNECTOR

## SPECIFICATIONS

For complete specifications and recommended PCB layouts see [www.samtec.com?PEC](http://www.samtec.com?PEC)

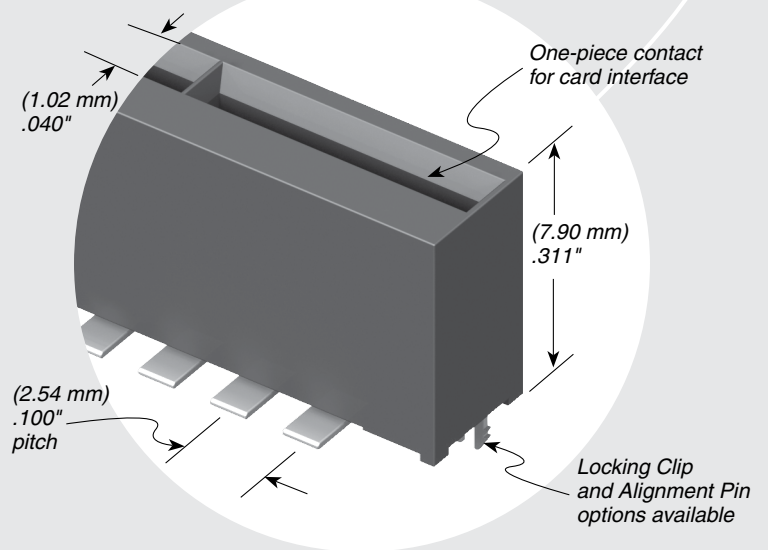
- Insulator Material:**  
Black Liquid Crystal Polymer
- Contact Material:**  
BeCu
- Plating:**  
Sn over 50 μ" (1.27 μm) Ni
- Current Rating:**  
7.5 A per pin  
(1 pin powered)
- Operating Temp Range:**  
-55 °C to +105 °C
- Voltage Rating:**  
250 VAC
- RoHS Compliant:**  
Yes

## PROCESSING

- Lead-Free Solderable:**  
Yes
- SMT Lead Coplanarity:**  
(0.10 mm) .004" max

## RECOGNITIONS

For complete scope of recognitions see [www.samtec.com/quality](http://www.samtec.com/quality)



PEC	NO. PINS PER ROW	LEAD STYLE	PLATING OPTION	S	OPTION
	<b>-03, -07, -10</b>	<b>-01</b> = Straight Tail  <b>-02</b> = Surface Mount	<b>-T</b> = Matte Tin		<b>-A</b> = Alignment Pin (Not available with -LC)  <b>-LC</b> = Locking Clip (Manual placement required) (Not available with -A)

NO. OF POSITIONS	A	B	C
<b>-03</b>	(12.70) .500	(11.43) .450	N/A
<b>-07</b>	(22.86) .900	(21.59) .850	(8.89) .350
<b>-10</b>	(30.48) 1.200	(29.21) 1.150	(11.43) .450

-01

-02

-T

-LC

-A

**Note:**  
Some sizes, styles and options are non-standard, non-returnable.

## X-ON Electronics

Largest Supplier of Electrical and Electronic Components

*Click to view similar products for [Standard Card Edge Connectors](#) category:*

*Click to view products by [Samtec](#) manufacturer:*

Other Similar products are found below :

[CR7E-30DB-3.96E\(72\)](#) [6364499-1](#) [6565204-6](#) [PKC-156](#) [1437274-4](#) [147889-1](#) [1489165-4](#) [EBT15622B2X](#) [1-582587-1](#) [284-0102-12100](#)  
[286-0052-12101A](#) [306022901000000](#) [307-012-502-202](#) [307-056-520-300](#) [2129318-1](#) [245-062-520-350](#) [287-0032-12101](#) [306-028-525-102](#)  
[307-072-526-202](#) [345-060-559-303](#) [392-008-559-201](#) [534671-1](#) [341-240-317](#) [345-044-500-300](#) [346-240-318](#) [395-100-524-300](#) [09-07-2032](#)  
[10035388-802LF](#) [10115859-011LF](#) [10122859-009LF](#) [10127905-B04B24BLF](#) [530555-1](#) [5-678046-1](#) [73726-0005](#) [66308-1](#) [1-1437275-6](#)  
[PEC-07-02-T-S-A](#) [346-014-520-801](#) [307-048-502-202](#) [CE100F22-9-C](#) [CE100F26-7-C](#) [CE100F28-3-D](#) [CE156F18-9-C](#) [CE156F22-5-D](#)  
[CE156F22-9-C](#) [CT100F22-2-D](#) [CT100F22-3-D](#) [CT100F24-2-D](#) [CT100F24-3-D](#) [CT100F24-6-C](#)