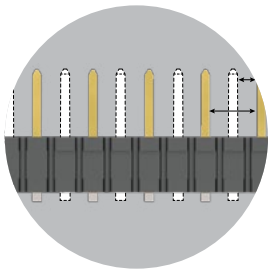


HIGH-POWER SYSTEMS

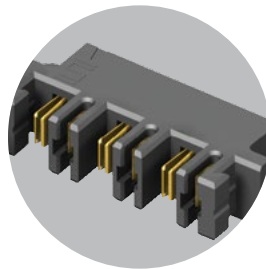
20-60 A
per blade

FEATURES & BENEFITS

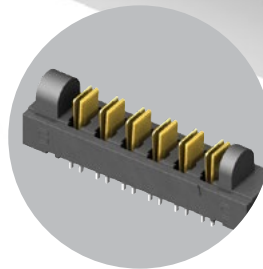
- Current Rating: 23 A - 58.7 A per power blade
- 3.81 mm, 5.00 mm and 6.35 mm pitch
- Dual blade contact system
- Power only or power/signal combinations available
- Right-angle and vertical orientations
- Rugged screw down and locking clip options
- Discrete wire cable assembly with 10-16 AWG wire
- "Hinged" for unique mating in any orientation from 0° to 90° and space confined applications



Selectively loading contacts achieves customer specific creepage and clearance requirements.



Hermaphroditic options available (samtec.com?MPPT)



Hinging options available (samtec.com?FMPT samtec.com?FMPS)


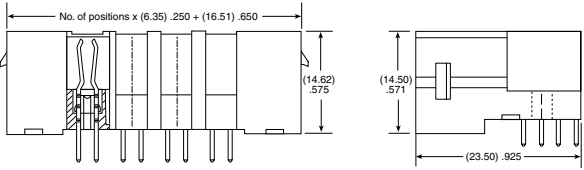
KEY SPECIFICATIONS

| SERIES | PET/PES | PETC/PESC | MPT/MPS | MPTC/MPSC | UPT/UPS | FMPT/FMPS | UPPT | MPPT |
|---------------|-----------------|--|------------------|--|-----------------|------------------|-----------------|------------------|
| PITCH | (6.35 mm) .250" | (6.35 mm) .250" (pwr) (2.54 mm) .100" (sig) | (5.00 mm) .1969" | (5.00 mm) .197" (pwr) (2.00 mm) .079" (sig) | (3.81 mm) .150" | (5.00 mm) .1969" | (3.81 mm) .150" | (5.00 mm) .1969" |
| CCC (1 PIN)* | 58.7 A | 31.4 A | 28.8 A | 28.8 A | 23 A | 26.7 A | 21.4 A | 23.3 A |
| CCC (2 PINS)* | 48.5 A | 28.0 A | 24.7 A | 24.7 A | 18.6 A | 22.9 A | 19.8 A | 20.5 A |
| CCC (3 PINS)* | 41.1 A | 24.4 A | 24.1 A | 24.1 A | 17.5 A | 19.1 A | 17.1 A | 19.4 A |
| CREEPAGE | (3.66 mm) .144" | (3.66 mm) .144" | (2.86 mm) .113" | (2.86 mm) .113" | (5.5 mm) .217" | (6.53 mm) .257" | (1.91 mm) .075" | (2.95 mm) .116" |
| CLEARANCE | (3.31 mm) .130" | (3.31 mm) .130" | (2.71 mm) .106" | (2.71 mm) .106" | (1.51 mm) .059" | (2.71 mm) .106" | (1.51 mm) .059" | (2.71 mm) .106" |
| VAC | 725 VAC | Signal: 450 VAC Power: 650 VAC | 575 VAC | 250 VAC | 438 VAC | 525 VAC | 425 VAC | 600 VAC |
| VDC | 1025 VDC | Signal: 636 VDC Power: 919 VDC | 812 VDC | 354 VDC | 620 VDC | 742 VDC | 600 VDC | 848 VDC |
| CYCLES | 100 | 100 | 100 | 100 | 25 | 100 | 100 | 100 |

(6.35 mm) .250" PITCH • 40 A HIGH-POWER SYSTEM


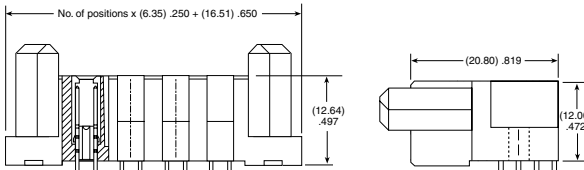
| SERIES | NO. PINS PER ROW | LEAD STYLE | PLATING OPTION | TAIL OPTION | OTHER OPTION |
|------------------------|---------------------------|--|---|--|---|
| PET Terminal | -02, -04, -06, -08 | -01 = Use with (1.60 mm) .062" Thick PCB -02 = Use with (3.18 mm) .125" Thick PCB | -L = 10 μ" (0.25 μm) Gold on contact, Matte Tin on tail -T = Matte Tin on tail | -VT = Vertical -RA = Right-angle (Screw Down option required) | -SD = Screw Down (Right-angle only) |

PET
Board Mates: PES
Cable Mates: PESS

-VT **-RA-SD**

PES
Board Mates: PET


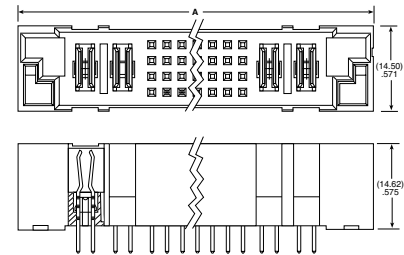



-VT **-RA-SD**

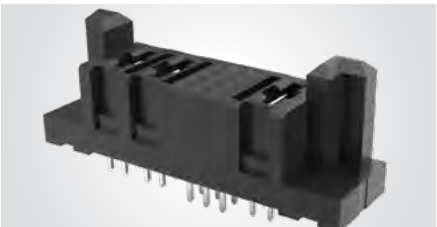
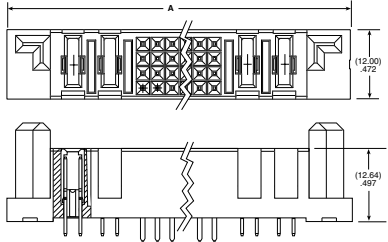
View complete specifications at: samtec.com?PET & samtec.com?PES

| SERIES | POWER PINS | SIGNAL PINS | POWER PINS | 01 | PLATING OPTION | TAIL | OTHER OPTION |
|-------------------------|----------------------------|--------------------|----------------------------|----|---|---|---|
| PETC Terminal | -01 -02 -04 | -12 -40 | -01 -02 -04 | | -L = 10 μ" (0.25 μm) Gold on contact, Matte Tin on tail -T = Matte Tin | -VT = Vertical -RA = Right-angle | -SD = Screw Down (Right-angle only) -LC = Locking Clip (Manual placement required) |

PETC
Board Mates: PES

PESC
Board Mates: PETC

| POWER PINS/ENDS | A | |
|-----------------|----------------|----------------|
| | 12 SIGNAL PINS | 40 SIGNAL PINS |
| -01 | (39.37) 1.550 | (57.15) 2.250 |
| -02 | (52.07) 2.050 | (69.85) 2.750 |
| -04 | (77.47) 3.050 | (95.25) 3.750 |

View complete specifications at: samtec.com?PETC & samtec.com?PESC

Note:
Some lengths, styles and options are non-standard, non-returnable

X-ON Electronics

Largest Supplier of Electrical and Electronic Components

Click to view similar products for [Power to the Board](#) category:

Click to view products by [Samtec](#) manufacturer:

Other Similar products are found below :

[6450171-4](#) [6450552-7](#) [6600323-8](#) [6643429-1](#) [6646040-2](#) [6651939-1](#) [6766604-1](#) [120959-1](#) [1393557-2](#) [1393532-2](#) [1393532-3](#) [1393532-4](#)
[1393557-1](#) [1600812-5](#) [1-6450861-2](#) [1744132-7](#) [1761122-1](#) [1766250-1](#) [1892109-1](#) [2-6450860-5](#) [2-6450870-0](#) [1-6450161-4](#) [1-6450850-6](#) [1-](#)
[6450869-6](#) [1645526-2](#) [1-6600130-0](#) [2005243-2](#) [377-0020-11130](#) [TE34-12-16P-F0](#) [51700-10201602AALF](#) [5-6450830-6](#) [5646956-4](#) [377-](#)
[0080-11131A](#) [4-6450830-9](#) [4-6600333-3](#) [10125416-4050LF](#) [10130248-005LF](#) [6600320-3](#) [3-6450860-5](#) [1888123-2](#) [6450166-1](#) [6643978-1](#)
[6766605-1](#) [701-15-02109](#) [N11444](#) [6651938-1](#) [6450810-7](#) [46437-1112](#) [1-1589677-8](#) [5646956-5](#)