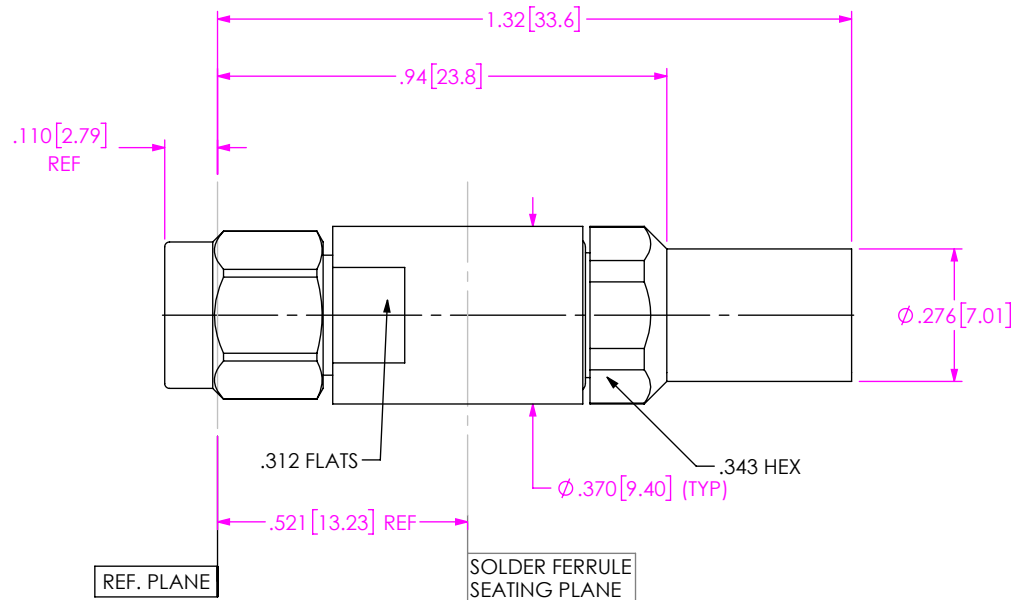


DO NOT SCALE FROM THIS PRINT

DESIGNED & DIMENSIONED IN INCHES[MILLIMETERS]

PRF01-P-C-EP-142-SS



SERIES
-01: SMA

GENDER
-P: PLUG

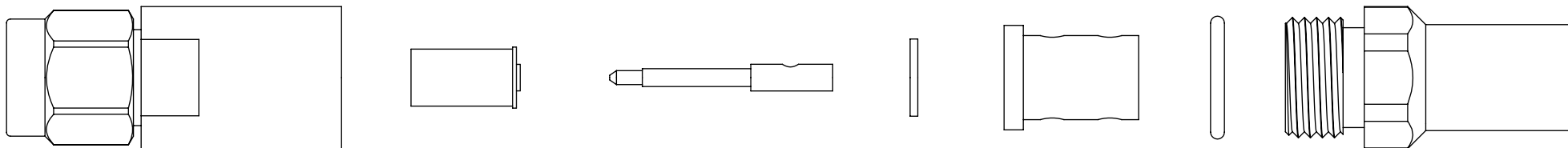
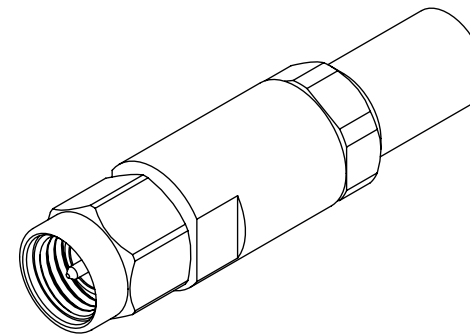
TYPE
-C: CABLE

TERMINATION
-S: SOLDER CLAMP

ORIENTATION
-S: STRAIGHT

CABLE TYPE
-142: HARBOUR LL142

FINISH
-EP: 50µ" EXTRA HEAVY GOLD CENTER CONTACT, PASSIVATED OUTER CONTACT



EXPLODED VIEW
NOT TO SCALE
(FOR CLARITY ONLY)

NOTES:

- MATERIAL:
BODY, COUPLING NUT, CLAMP NUT: STAINLESS STEEL
CONTACT, LOCK RING: BERYLLIUM COPPER
SOLDER FERRULE: BRASS ALLOY
INSULATOR: PTFE
BEADS: PEI
O-RING, GASKET: SILICONE RUBBER
- FINISH:
BODY, COUPLING NUT, CLAMP NUT: PASSIVATED
CONTACT, SOLDER FERRULE: 50µ" MIN. GOLD OVER 50µ" MIN. NICKEL PLATE
- PERFORMANCE:
IMPEDANCE: 50 Ω
FREQUENCY: DC TO 18 GHz
VSWR: 1.14:1 MAXIMUM
INSERTION LOSS: 0.03 x √f(GHz)
DWV: 1700 Vrms
- PCI P/N: 3163.

F:\DWG\MISC\MKTG\PRF01-P-C-EP-142-SS-MKT.SLDDRW

UNLESS OTHERWISE SPECIFIED,
DIMENSIONS ARE IN INCHES.
TOLERANCES ARE:
DECIMALS ANGLES
.XX: ±.01 [0.3] 1°
.XXX: ±.005 [0.13]
.XXXX: ±.0005 [0.013]

PROPRIETARY NOTE
THIS DOCUMENT CONTAINS CONFIDENTIAL AND PROPRIETARY INFORMATION AND ALL DESIGN, MANUFACTURING, REPRODUCTION, USE, PATENT RIGHTS AND SALES RIGHTS ARE EXPRESSLY RESERVED BY SAMTEC, INC. THIS DOCUMENT SHALL NOT BE DISCLOSED, IN WHOLE OR PART, TO ANY UNAUTHORIZED PERSON OR ENTITY NOR REPRODUCED, TRANSFERRED OR INCORPORATED IN ANY OTHER PROJECT IN ANY MANNER WITHOUT THE EXPRESS WRITTEN CONSENT OF SAMTEC, INC.



520 PARK EAST BLVD, NEW ALBANY, IN 47150
PHONE: 812-944-6733 FAX: 812-948-5047
e-Mail info@SAMTEC.com code 55322

DO NOT SCALE DRAWING

SHEET SCALE: 2.5:1

DESCRIPTION: SMA PLUG, SOLDER CLAMP FOR HARBOUR LL142 CABLE

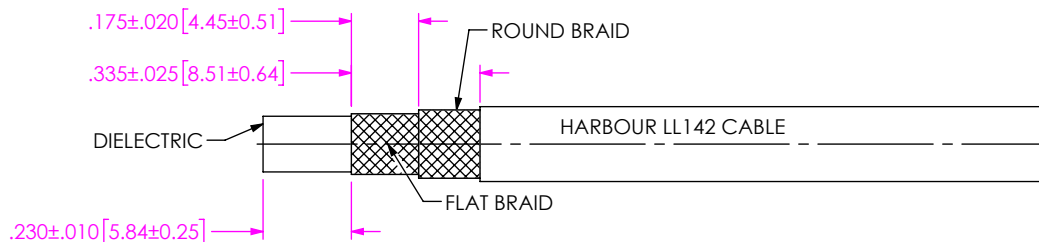
DWG. NO. PRF01-P-C-EP-142-SS

BY: SHERRY W 2/3/2019

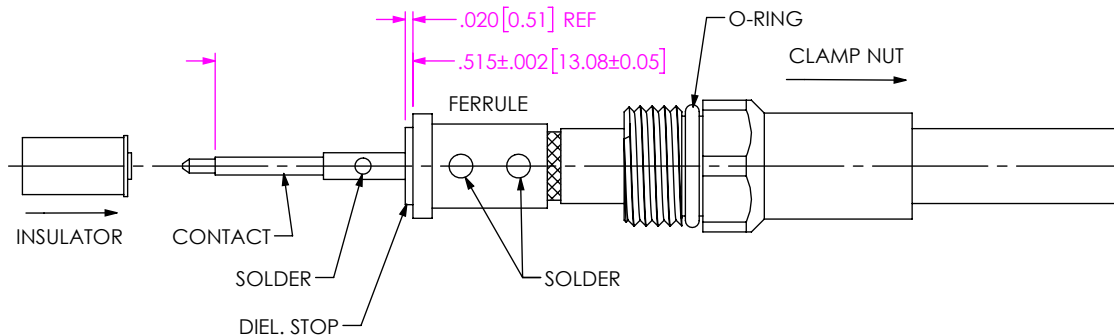
SHEET 1 OF 2

CABLE APPLICATION VIEWS

THIS P/N WAS 1-001-2851-0
 1. STRIP CABLE AS SHOWN.



IN-PROCESS VIEW 1

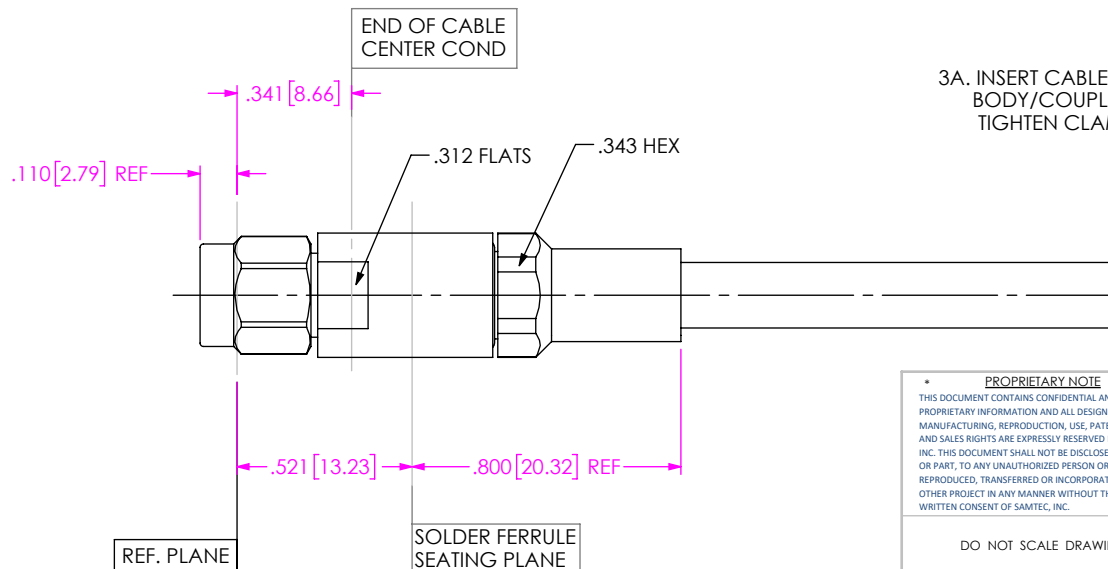


2A. SLIDE CLAMP NUT OVER CABLE IN ORIENTATION SHOWN.
 2B. INSERT CABLE INTO SOLDER FERRULE UNTIL INNER BRAID SEATS AND SOLDER TO BRAIDS WHERE SHOWN
 2C. TRIM CABLE DIELECTRIC FLUSH WITH FACE OF FERRULE.

2D. SLIDE DIELECTRIC STOP OVER CABLE CENTER CONDUCTOR AND SOLDER CONTACT FLUSH TO STOP TO DIMENSION SHOWN.
 2E. SLIDE INSULATION ONTO CONTACT AGAINST SHOULDER.

IN-PROCESS VIEW 2

DISTANCE FROM END OF CABLE CENTER CONDUCTOR TO REF. PL. IS .341 REF



3A. INSERT CABLE/CONTACT SUB-ASSEMBLY INTO BODY/COUPLIN NUT ASSEMBLY UNTIL SEATED AND TIGHTEN CLAMP NUT TO 25-35 IN-LBS.

IN-PROCESS VIEW 3

PROPRIETARY NOTE
 THIS DOCUMENT CONTAINS CONFIDENTIAL AND PROPRIETARY INFORMATION AND ALL DESIGN, MANUFACTURING, REPRODUCTION, USE, PATENT RIGHTS AND SALES RIGHTS ARE EXPRESSLY RESERVED BY SAMTEC, INC. THIS DOCUMENT SHALL NOT BE DISCLOSED, IN WHOLE OR PART, TO ANY UNAUTHORIZED PERSON OR ENTITY NOR REPRODUCED, TRANSFERRED OR INCORPORATED IN ANY OTHER PROJECT IN ANY MANNER WITHOUT THE EXPRESS WRITTEN CONSENT OF SAMTEC, INC.



520 PARK EAST BLVD, NEW ALBANY, IN 47150
 PHONE: 812-944-6733 FAX: 812-948-5047
 e-Mail info@SAMTEC.com code 55322

DO NOT SCALE DRAWING

SHEET SCALE: 2:1

DESCRIPTION: SMA PLUG, SOLDER CLAMP FOR HARBOUR LL142 CABLE

DWG. NO. PRF01-P-C-EP-142-SS

BY: SHERRY W 2/3/2019 SHEET 2 OF 2

X-ON Electronics

Largest Supplier of Electrical and Electronic Components

Click to view similar products for [RF Connectors / Coaxial Connectors](#) category:

Click to view products by [Samtec](#) manufacturer:

Other Similar products are found below :

[8915-1511-000](#) [89674-0827](#) [6002-7051-003](#) [6059674-1](#) [619550-1](#) [630059-000](#) [M39012/25-3026](#) [M39030/3-01N](#) [6501-1071-002](#) [6769](#)
[7002-1541-010](#) [7002-1572-002](#) [7003-1542-011](#) [7004-1512-000](#) [7009-1511-004](#) [7101-1541-010](#) [7101-1571-002](#) [7105-1521-002](#) [7203-1571-](#)
[003](#) [7209-1511-011](#) [7210-1511-040](#) [7242-1511-000](#) [73216-2241](#) [73404-2300](#) [7405-1521-005](#) [7405-1521-802](#) [8527](#) [8547](#) [FS11V](#) [877931](#)
[8808-1511-001](#) [9074-9513-000](#) [910A205F](#) [PL40-36](#) [PL71-9](#) [980-8666-005](#) [1200690078](#) [1-201144-1](#) [120919](#) [R107003010W](#) [R110A172100](#)
[R112186000](#) [R113053000W](#) [R113236000](#) [R113240000](#) [R113240097](#) [R113666000](#) [R114073000W](#) [R114083000](#) [R114670000W](#)