

DO NOT SCALE FROM THIS PRINT

DESIGNED & DIMENSIONED IN INCHES[MILLIMETERS]

PRF18-J-C-EP-085-BS

SERIES
-18: 1.85MM

GENDER
-J: JACK

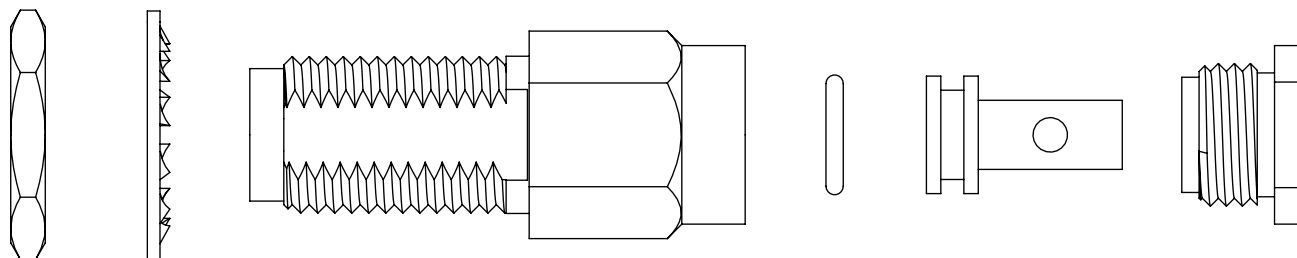
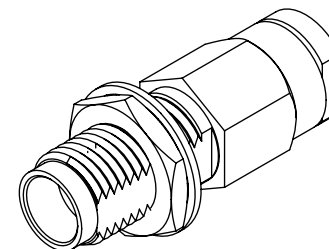
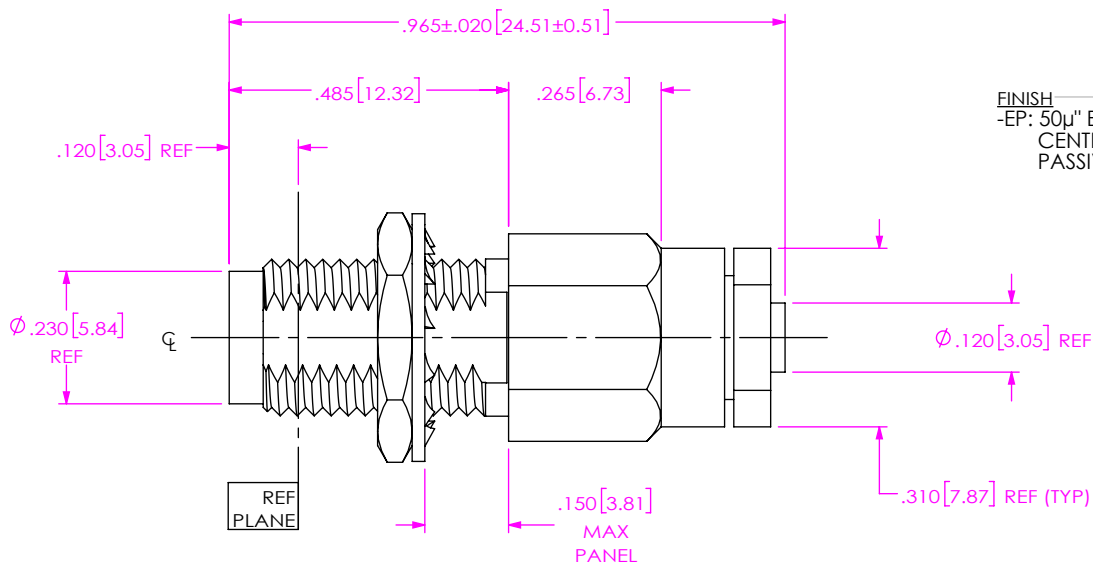
TYPE
-C: CABLE

FINISH
-EP: 50µ" EXTRA HEAVY GOLD CENTER CONTACT, PASSIVATED OUTER CONTACT

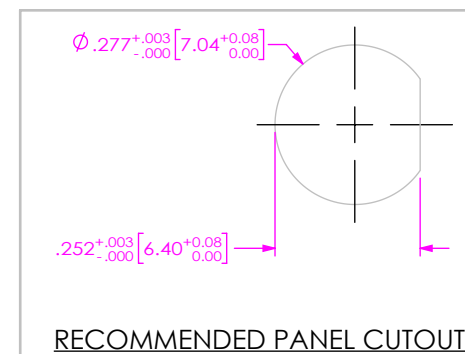
TERMINATION
-S: SOLDER CLAMP

ORIENTATION
-B: BULKHEAD

CABLE TYPE
-085: HARBOUR SS405



EXPLODED VIEW
NOT TO SCALE
(FOR CLARITY ONLY)



RECOMMENDED PANEL CUTOUT

NOTES:

- MATERIAL:
BODY, BUSHING, CLAMP NUT, COUPLING NUT: STAINLESS STEEL.
O-RING: SILICONE RUBBER.
BEAD: PEI.
LOCK RING, CONTACT: BERYLLIUM COPPER.
SOLDER FERRULE: BRASS ALLOY.
- FINISH:
BODY, BUSHING, CLAMP NUT, COUPLING NUT: PASSIVATED.
CONTACT, SOLDER FERRULE: GOLD OVER NICKEL PLATE, 50 µIN MIN GOLD OVER 50 µIN MIN NICKEL.
- PCI P/N: 3284.

UNLESS OTHERWISE SPECIFIED, DIMENSIONS ARE IN INCHES.

TOLERANCES ARE:

DECIMALS ANGLES
.XX: ±.01 1°
.XXX: ±.002
.XXXX: ±.0005

PROPRIETARY NOTE
THIS DOCUMENT CONTAINS CONFIDENTIAL AND PROPRIETARY INFORMATION AND ALL DESIGN, MANUFACTURING, REPRODUCTION, USE, PATENT RIGHTS AND SALES RIGHTS ARE EXPRESSLY RESERVED BY SAMTEC, INC. THIS DOCUMENT SHALL NOT BE DISCLOSED, IN WHOLE OR PART, TO ANY UNAUTHORIZED PERSON OR ENTITY NOR REPRODUCED, TRANSFERRED OR INCORPORATED IN ANY OTHER PROJECT IN ANY MANNER WITHOUT THE EXPRESS WRITTEN CONSENT OF SAMTEC, INC.

DO NOT SCALE DRAWING

SHEET SCALE: 3:1



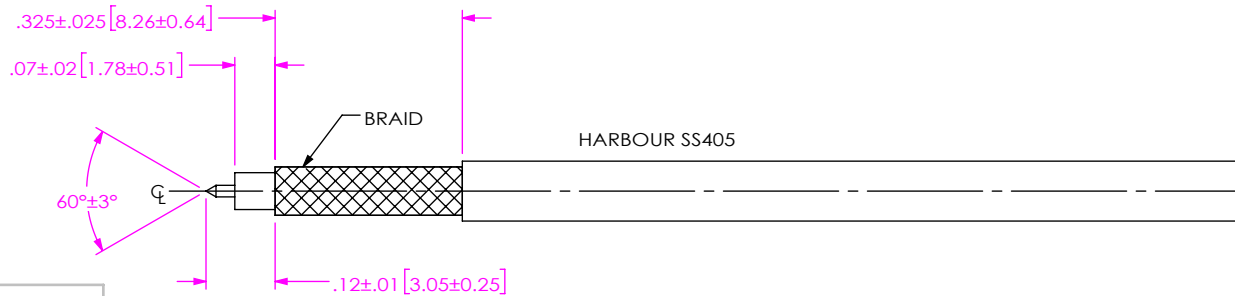
520 PARK EAST BLVD, NEW ALBANY, IN 47150
PHONE: 812-944-6733 FAX: 812-948-5047
e-Mail: info@SAMTEC.com code 55322

DESCRIPTION: 1.85MM BULKHEAD JACK. SOLDER CLAMP FOR HARBOUR SS405

DWG. NO. PRF18-J-C-EP-085-BS

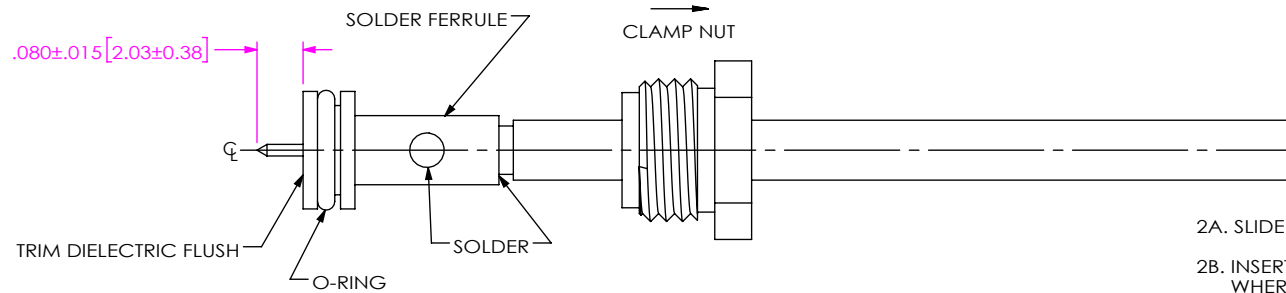
BY: SAMUEL C 05/06/2019 SHEET 1 OF 2

CABLE APPLICATION VIEWS



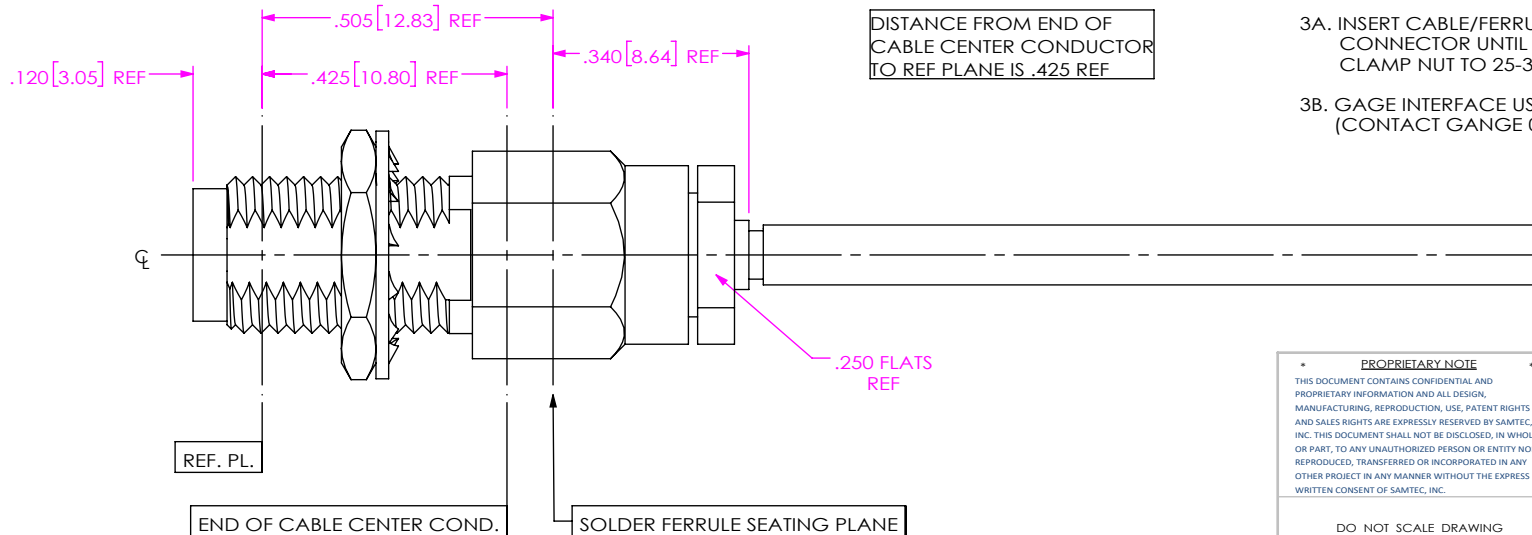
IN-PROCESS VIEW 1

- 1A. TRIM CABLE JACKET TO EXPOSE BRAID, DIELECTRIC & CENTER CONDUCTOR AS SHOWN.
- 1B. POINT CENTER CONDUCTOR AS SHOWN.
- 1C. PRE-TIN BRAID AS SHOWN.



IN-PROCESS VIEW 2

- 2A. SLIDE CLAMP NUT OVER CABLE AS SHOWN.
- 2B. INSERT CABLE INTO SOLDER FERRULE UNTIL SEATED AND SOLDER WHERE SHOWN.
- 2C. TRIM CABLE DIELECTRIC FLUSH TO FACE OF SOLDER FERRULE (DO NOT NICK CENTER CONDUCTOR).
- 2D. INSTALL O-RING INTO GROOVE IN SOLDER FERRULE FLANGE AS SHOWN.



IN-PROCESS VIEW 3

- 3A. INSERT CABLE/FERRULE SUB-ASSEMBLY INTO CONNECTOR UNTIL SEATED AND TIGHTEN CLAMP NUT TO 25-35 IN. LBS.
- 3B. GAGE INTERFACE USING APPROPRIATE GAGE. (CONTACT GANGE 000/.003 SUB-FLUSH)

PROPRIETARY NOTE
 THIS DOCUMENT CONTAINS CONFIDENTIAL AND PROPRIETARY INFORMATION AND ALL DESIGN, MANUFACTURING, REPRODUCTION, USE, PATENT RIGHTS AND SALES RIGHTS ARE EXPRESSLY RESERVED BY SAMTEC, INC. THIS DOCUMENT SHALL NOT BE DISCLOSED, IN WHOLE OR PART, TO ANY UNAUTHORIZED PERSON OR ENTITY NOR REPRODUCED, TRANSFERRED OR INCORPORATED IN ANY OTHER PROJECT IN ANY MANNER WITHOUT THE EXPRESS WRITTEN CONSENT OF SAMTEC, INC.



520 PARK EAST BLVD, NEW ALBANY, IN 47150
 PHONE: 812-944-6733 FAX: 812-948-5047
 e-Mail: info@SAMTEC.com code 55322

DO NOT SCALE DRAWING

SHEET SCALE: 3:1

DESCRIPTION: 1.85MM BULKHEAD JACK, SOLDER CLAMP FOR HARBOUR SS405

DWG. NO. PRF18-J-C-EP-085-BS

BY: SAMUEL C 05/06/2019 SHEET 2 OF 2

X-ON Electronics

Largest Supplier of Electrical and Electronic Components

Click to view similar products for [RF Connectors / Coaxial Connectors](#) category:

Click to view products by [Samtec](#) manufacturer:

Other Similar products are found below :

[8915-1511-000](#) [89674-0827](#) [6001-7071-019](#) [6002-7051-003](#) [6002-7551-202](#) [6059674-1](#) [619550-1](#) [630059-000](#) [M39030/3-01N](#) [6500-7071-046](#) [6769](#) [CX050L2AQ](#) [7002-1541-010](#) [7002-1542-011](#) [7004-1512-000](#) [7009-1511-004](#) [7010-1511-000](#) [7029-1511-060](#) [7101-1541-010](#) [7101-1571-002](#) [7145-1521-002](#) [7203-1571-003](#) [7209-1511-011](#) [7210-1511-015](#) [7210-1511-019](#) [73137-5015](#) [73216-2241](#) [73404-2300](#) [7405-1521-005](#) [7405-1521-802](#) [8527](#) [8547](#) [FS11V](#) [877931](#) [8808-1511-001](#) [9049-9513-000](#) [9074-9513-000](#) [9101-9573-002](#) [910A205F](#) [9130-9573-002](#) [PL11SC-026](#) [PL375-33](#) [PL40-5](#) [PL74C-221](#) [PL75MC-217](#) [PL803-7](#) [980-8666-005](#) [1200690078](#) [1-201144-1](#) [R107003010W](#)