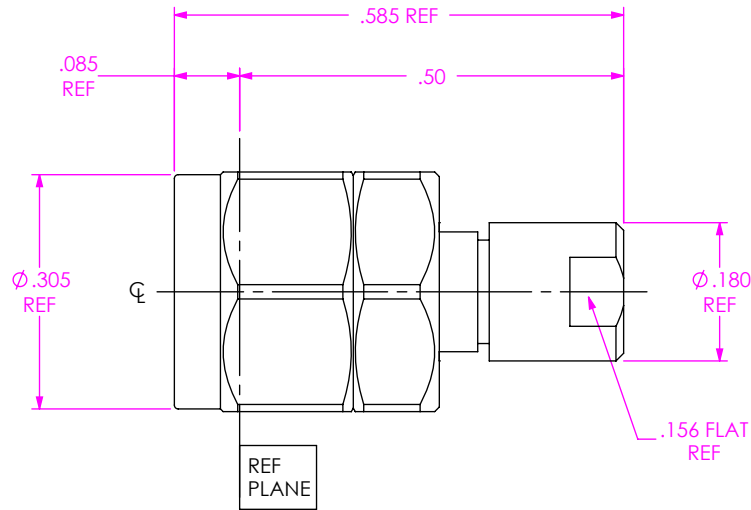


DO NOT SCALE FROM THIS PRINT

DESIGNED & DIMENSIONED IN INCHES[MILLIMETERS]

PRF18-P-C-EP-047D-SS-X



SERIES
-18: 1.85MM

GENDER
-P: PLUG

TYPE
-C: CABLE

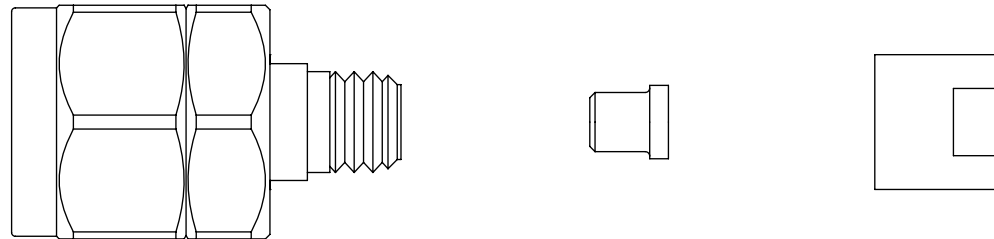
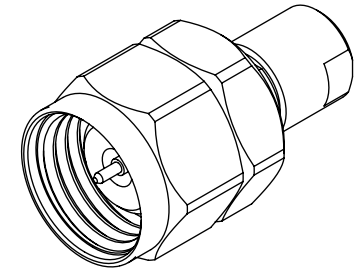
PLATING
-EP: 50µi" EXTRA HEAVY GOLD CENTER CONTACT, PASSIVATED OUTER CONTACT

PACKAGING
-B: BULK (IN INCREMENTS OF 50) (BLANK): STANDARD PACKAGING

TERMINATION
-S: SOLDER CLAMP

ORIENTATION
-B: BULKHEAD

CABLE TYPE
-047D: .047" SEMI-RIGID CABLE



EXPLODED VIEW
NOT TO SCALE
(FOR CLARITY ONLY)

- NOTES:
- MATERIAL:
BODY, BUSHING, CLAMP NUT: STAINLESS STEEL.
GASKET: SILICONE RUBBER.
SOLDER FERRULE: BRASS.
BEAD: PEI.
PIN, LOCK-RING: BERYLLIUM COPPER.
 - FINISH:
BODY, BUSHING, CLAMP NUT: PASSIVATED.
SOLDER FERRULE, PIN: GOLD OVER NICKEL PLATE, 50 µIN MIN GOLD OVER 50 µIN MIN NICKEL.
 - PCI PART NUMBER: 3634.
 - BULK PACKAGING OPTION (-B) FOR ORDERS IN INCREMENTS OF 50 PCS.

UNLESS OTHERWISE SPECIFIED, DIMENSIONS ARE IN INCHES.

TOLERANCES ARE:
DECIMALS ANGLES
.XX: ± 0.01 1°
.XXX: ± 0.002
.XXXX: ± 0.0005

PROPRIETARY NOTE
THIS DOCUMENT CONTAINS CONFIDENTIAL AND PROPRIETARY INFORMATION AND ALL DESIGN, MANUFACTURING, REPRODUCTION, USE, PATENT RIGHTS AND SALES RIGHTS ARE EXPRESSLY RESERVED BY SAMTEC, INC. THIS DOCUMENT SHALL NOT BE DISCLOSED, IN WHOLE OR PART, TO ANY UNAUTHORIZED PERSON OR ENTITY NOR REPRODUCED, TRANSFERRED OR INCORPORATED IN ANY OTHER PROJECT IN ANY MANNER WITHOUT THE EXPRESS WRITTEN CONSENT OF SAMTEC, INC.



520 PARK EAST BLVD, NEW ALBANY, IN 47150
PHONE: 812-944-6733 FAX: 812-948-5047
e-Mail info@SAMTEC.com code 55322

DO NOT SCALE DRAWING

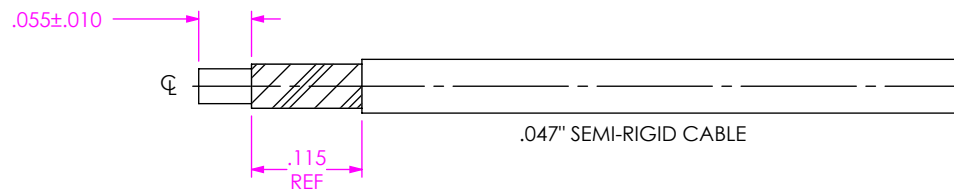
SHEET SCALE: 4:1

DESCRIPTION:
1.85MM PLUG. SOLDER CLAMP FOR .047" SEMI-RIGID CABLE

DWG. NO.
PRF18-P-C-EP-047D-SS-X

BY: JESUS M 4/3/2019 SHEET 1 OF 2

REVISION C

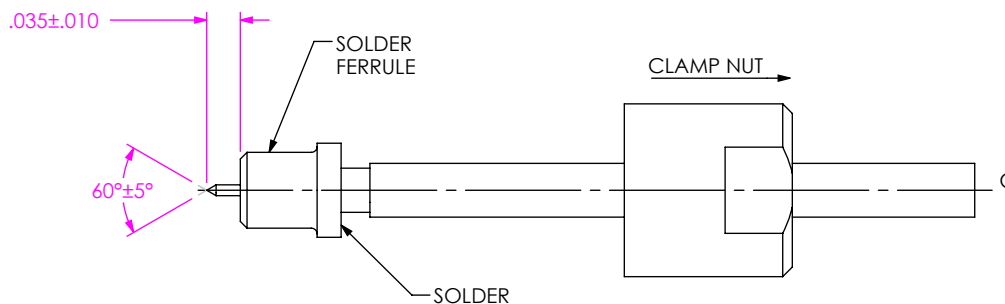


1A. TRIM CABLE TO EXPOSE CENTER DIELECTRIC AS SHOWN.

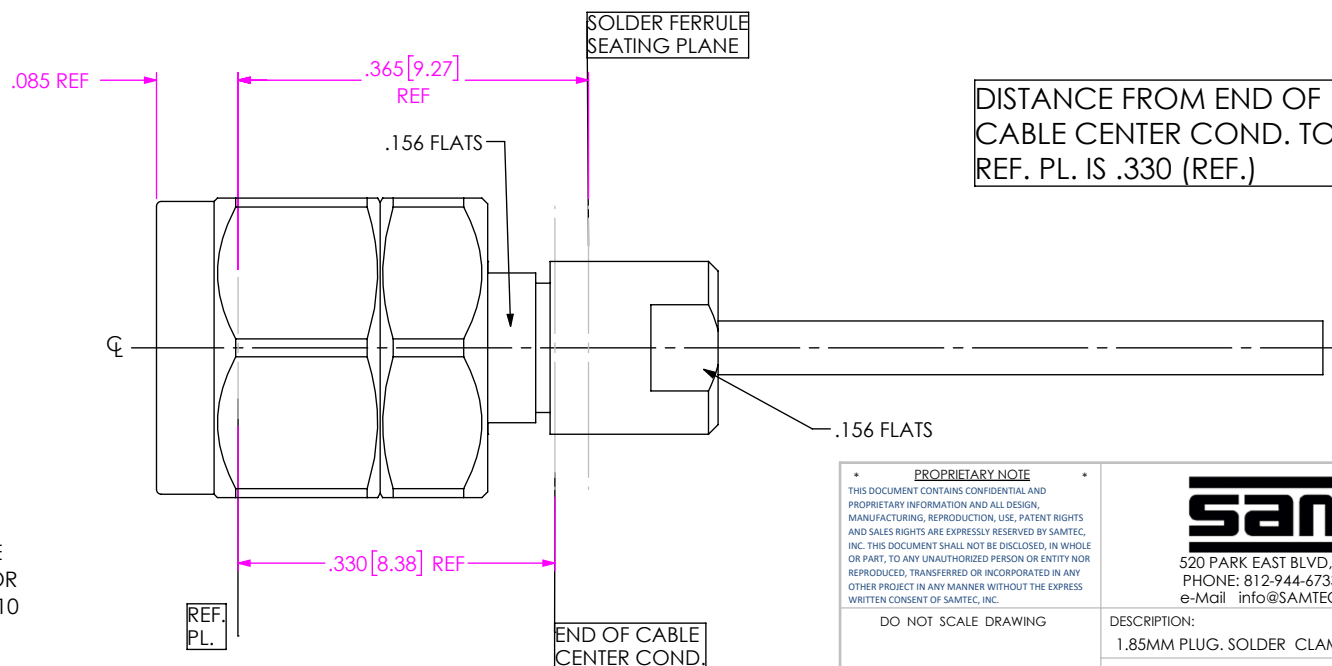
IN-PROCESS 1

- 2A. SLIDE CLAMP NUT ONTO CABLE AS SHOWN.
- 2B. INSERT CABLE INTO SOLDER FERRULE UNTIL JACKET IS FULLY SEATED IN FERRULE, THEN SOLDER CABLE TO FERRULE WHERE SHOWN.
- 2C. TRIM CABLE DIELECTRIC FLUSH WITH FERRULE FACE AND POINT CENTER CONDUCTOR AS SHOWN. (DO NOT SCORE CENTER CONDUCTOR).

NOTE: SLIGHT PRESS FIT BETWEEN CABLE DIELECTRIC AND SOLDER FERRULE.



IN-PROCESS 2



- 3. INSERT CABLE SUB-ASSEMBLY INTO CONNECTOR BODY UNTIL SOLDER FERRULE IS SEATED AND CABLE CENTER CONDUCTOR PLUGS IN, THEN TIGHTEN CLAMP NUT TO 8-10 IN LBS.

IN-PROCESS 3

<p>PROPRIETARY NOTE</p> <p>THIS DOCUMENT CONTAINS CONFIDENTIAL AND PROPRIETARY INFORMATION AND ALL DESIGN, MANUFACTURING, REPRODUCTION, USE, PATENT RIGHTS AND SALES RIGHTS ARE EXPRESSLY RESERVED BY SAMTEC, INC. THIS DOCUMENT SHALL NOT BE DISCLOSED, IN WHOLE OR PART, TO ANY UNAUTHORIZED PERSON OR ENTITY NOR REPRODUCED, TRANSFERRED OR INCORPORATED IN ANY OTHER PROJECT IN ANY MANNER WITHOUT THE EXPRESS WRITTEN CONSENT OF SAMTEC, INC.</p>		
	<p>520 PARK EAST BLVD, NEW ALBANY, IN 47150 PHONE: 812-944-6733 FAX: 812-948-5047 e-Mail info@SAMTEC.com code 55322</p>	
<p>DO NOT SCALE DRAWING</p>	<p>DESCRIPTION: 1.85MM PLUG. SOLDER CLAMP FOR .047" SEMI-RIGID CABLE</p>	<p>DWG. NO. PRF18-P-C-EP-047D-SS-X</p>
<p>SHEET SCALE: 5:1</p>	<p>BY: JESUS M</p>	<p>4/3/2019 SHEET 2 OF 2</p>

X-ON Electronics

Largest Supplier of Electrical and Electronic Components

Click to view similar products for [RF Connectors / Coaxial Connectors](#) category:

Click to view products by [Samtec](#) manufacturer:

Other Similar products are found below :

[8915-1511-000](#) [89674-0827](#) [6001-7071-019](#) [6002-7051-003](#) [6002-7551-202](#) [6059674-1](#) [619550-1](#) [630059-000](#) [M39030/3-01N](#) [6500-7071-046](#) [6769](#) [CX050L2AQ](#) [7002-1541-010](#) [7002-1542-011](#) [7004-1512-000](#) [7009-1511-004](#) [7010-1511-000](#) [7029-1511-060](#) [7101-1541-010](#) [7101-1571-002](#) [7145-1521-002](#) [7203-1571-003](#) [7209-1511-011](#) [7210-1511-015](#) [7210-1511-019](#) [73137-5015](#) [73216-2241](#) [73404-2300](#) [7405-1521-005](#) [7405-1521-802](#) [8527](#) [8547](#) [FS11V](#) [877931](#) [8808-1511-001](#) [9049-9513-000](#) [9074-9513-000](#) [9101-9573-002](#) [910A205F](#) [9130-9573-002](#) [PL11SC-026](#) [PL375-33](#) [PL40-5](#) [PL74C-221](#) [PL75MC-217](#) [PL803-7](#) [980-8666-005](#) [1200690078](#) [1-201144-1](#) [R107003010W](#)