

DESIGNED & DIMENSIONED  
IN INCHES[MILLIMETERS]

PRF24-J-C-EP-085-SS

SERIES  
-24: 2.4mm

GENDER  
-J: JACK

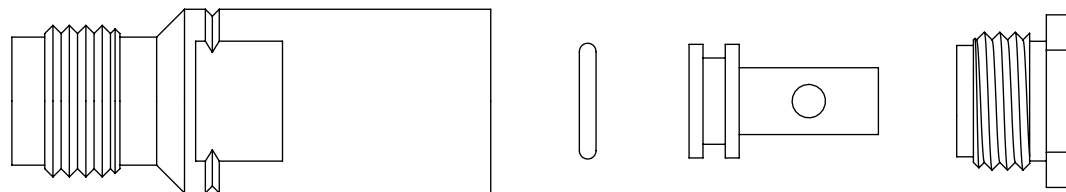
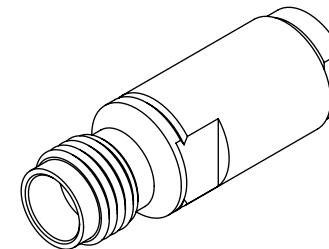
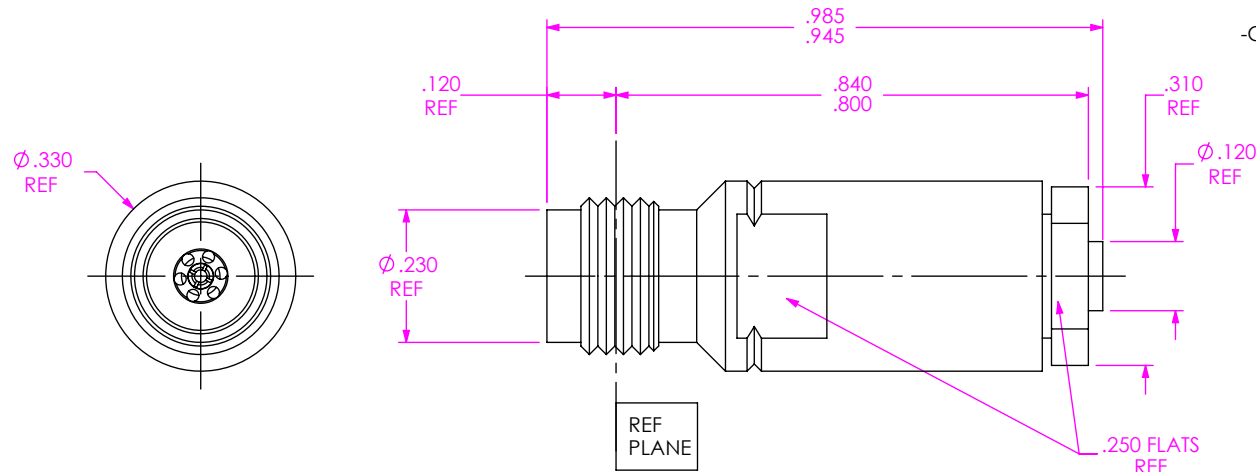
TYPE  
-C: CABLE

ORIENTATION  
-S: SOLDER CLAMP

ORIENTATION  
-S: STRAIGHT

CABLE TYPE  
-085: HARBOUR SS405

FINISH  
-EP: 50µ" EXTRA HEAVY GOLD  
CENTER CONTACT, PASSIVATED  
OUTER CONTACT



EXPLODED VIEW  
NOT TO SCALE  
(FOR CLARITY ONLY)

NOTES:

- MATERIAL:  
BODY, OUTER CONTACT, CLAMP NUT: STAINLESS STEEL.  
O-RING: SILICONE RUBBER.  
SOLDER FERRULE: BRASS.  
BEAD: ULTEM.  
CONTACT: BERYLLIUM COPPER.
- FINISH:  
BODY, OUTER CONTACT, CLAMP NUT: PASSIVATED.  
SOLDER FERRULE, PIN: GOLD OVER NICKEL PLATE,  
50 µIN MIN GOLD OVER 50 µIN MIN NICKEL.
- PCI PART NUMBER: 3864.

UNLESS OTHERWISE SPECIFIED,  
DIMENSIONS ARE IN INCHES.

TOLERANCES ARE:

DECIMALS                      ANGLES  
.XX: ±.01                      1°  
.XXX: ±.002  
.XXXX: ±.0005

PROPRIETARY NOTE

THIS DOCUMENT CONTAINS CONFIDENTIAL AND PROPRIETARY INFORMATION AND ALL DESIGN, MANUFACTURING, REPRODUCTION, USE, PATENT RIGHTS AND SALES RIGHTS ARE EXPRESSLY RESERVED BY SAMTEC, INC. THIS DOCUMENT SHALL NOT BE DISCLOSED, IN WHOLE OR PART, TO ANY UNAUTHORIZED PERSON OR ENTITY NOR REPRODUCED, TRANSFERRED OR INCORPORATED IN ANY OTHER PROJECT IN ANY MANNER WITHOUT THE EXPRESS WRITTEN CONSENT OF SAMTEC, INC.



520 PARK EAST BLVD., NEW ALBANY, IN 47150  
PHONE: 812-944-6733    FAX: 812-948-5047  
e-Mail: info@SAMTEC.com    code 55322

DO NOT SCALE DRAWING

SHEET SCALE: 3:1

DESCRIPTION: 2.4MM JACK, SOLDER CLAMP  
FOR HARBOUR SS405

DWG. NO.

PRF24-J-C-EP-085-SS

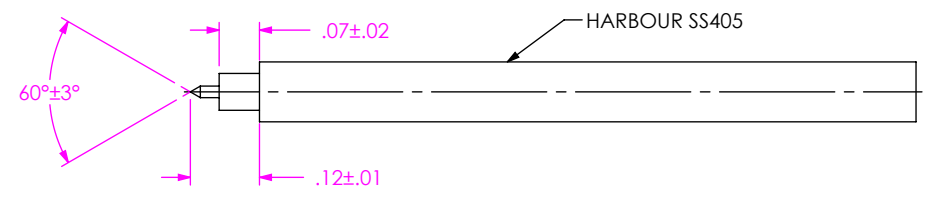
BY: EVE L

04/29/2019

SHEET 1 OF 2

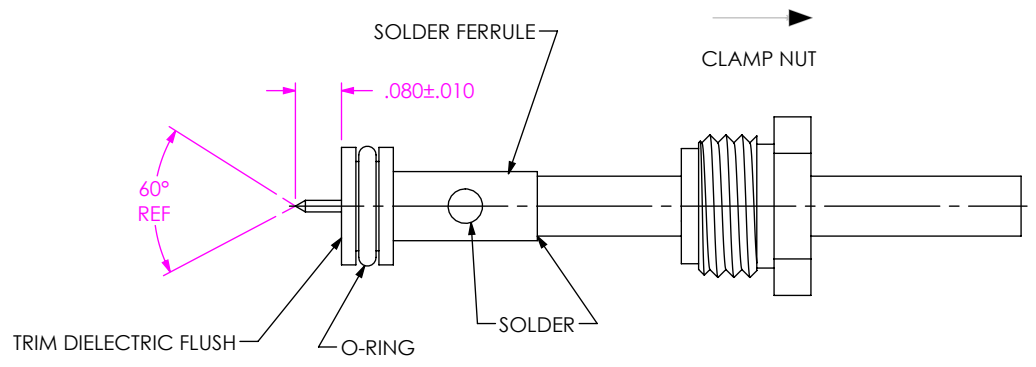
REVISION A

- 1A. TRIM CABLE JACKET TO EXPOSE DIELECTRIC & CENTER CONDUCTOR AS SHOWN.
- 1B. POINT CENTER CONDUCTOR AS SHOWN.

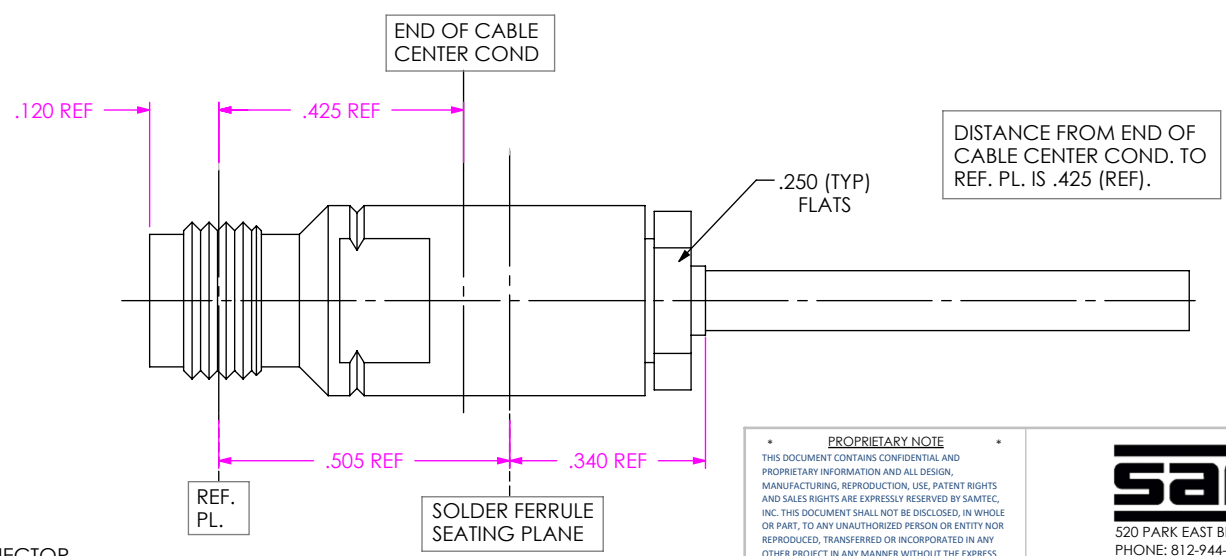


IN-PROCESS 1

- 2A. SLIDE CLAMP NUT OVER CABLE AS SHOWN.
- 2B. INSTALL CABLE INTO SOLDER FERRULE UNTIL SEATED AND SOLDER WHERE SHOWN.
- 2C. TRIM CABLE DIELECTRIC FLUSH TO FACE OF SOLDER FERRULE (DO NOT NICK CENTER CONDUCTOR)
- 2D. INSTALL O-RING INTO GROOVE IN SOLDER FERRULE FLANGE AS SHOWN.



IN-PROCESS 2



- 3A. INSERT CABLE/ FERRULE SUB-ASSEMBLY INTO CONNECTOR UNTIL SEATED AND TIGHTEN CLAMP NUT TO 25-35 IN. LBS.
- 3B. GAGE INTERFACE USING APPROPRIATE GAGE. (CONTACT RANGE 000/.003 SUB-FLUSH)

IN-PROCESS 3

**PROPRIETARY NOTE**  
 THIS DOCUMENT CONTAINS CONFIDENTIAL AND PROPRIETARY INFORMATION AND ALL DESIGN, MANUFACTURING, REPRODUCTION, USE, PATENT RIGHTS AND SALES RIGHTS ARE EXPRESSLY RESERVED BY SAMTEC, INC. THIS DOCUMENT SHALL NOT BE DISCLOSED, IN WHOLE OR PART, TO ANY UNAUTHORIZED PERSON OR ENTITY NOR REPRODUCED, TRANSFERRED OR INCORPORATED IN ANY OTHER PROJECT IN ANY MANNER WITHOUT THE EXPRESS WRITTEN CONSENT OF SAMTEC, INC.

**samtec**  
 520 PARK EAST BLVD, NEW ALBANY, IN 47150  
 PHONE: 812-944-6733 FAX: 812-948-5047  
 e-Mail: info@SAMTEC.com code 55322

DO NOT SCALE DRAWING  
 SHEET SCALE: 2:1

DESCRIPTION: 2.4MM JACK, SOLDER CLAMP FOR HARBOUR SS405

DWG. NO. PRF24-J-C-EP-085-SS

BY: EVE L 04/29/2019 SHEET 2 OF 2

## X-ON Electronics

Largest Supplier of Electrical and Electronic Components

*Click to view similar products for [RF Connectors / Coaxial Connectors](#) category:*

*Click to view products by [Samtec](#) manufacturer:*

Other Similar products are found below :

[8915-1511-000](#) [89674-0827](#) [6001-7071-019](#) [6002-7051-003](#) [6002-7551-202](#) [6059674-1](#) [619550-1](#) [630059-000](#) [M39030/3-01N](#) [6500-7071-046](#) [6769](#) [CX050L2AQ](#) [7002-1541-010](#) [7002-1542-011](#) [7004-1512-000](#) [7009-1511-004](#) [7010-1511-000](#) [7029-1511-060](#) [7101-1541-010](#) [7101-1571-002](#) [7105-1521-002](#) [7145-1521-002](#) [7203-1571-003](#) [7209-1511-011](#) [7210-1511-015](#) [7210-1511-019](#) [73137-5015](#) [73216-2241](#) [73404-2300](#) [7405-1521-005](#) [7405-1521-802](#) [8527](#) [8547](#) [FS11V](#) [877931](#) [8808-1511-001](#) [9074-9513-000](#) [9101-9573-002](#) [910A205F](#) [9130-9573-002](#) [PL11SC-026](#) [PL375-33](#) [PL40-5](#) [PL74C-221](#) [PL75MC-217](#) [PL803-7](#) [1200690078](#) [1-201144-1](#) [R107003010W](#) [R110A172100](#)