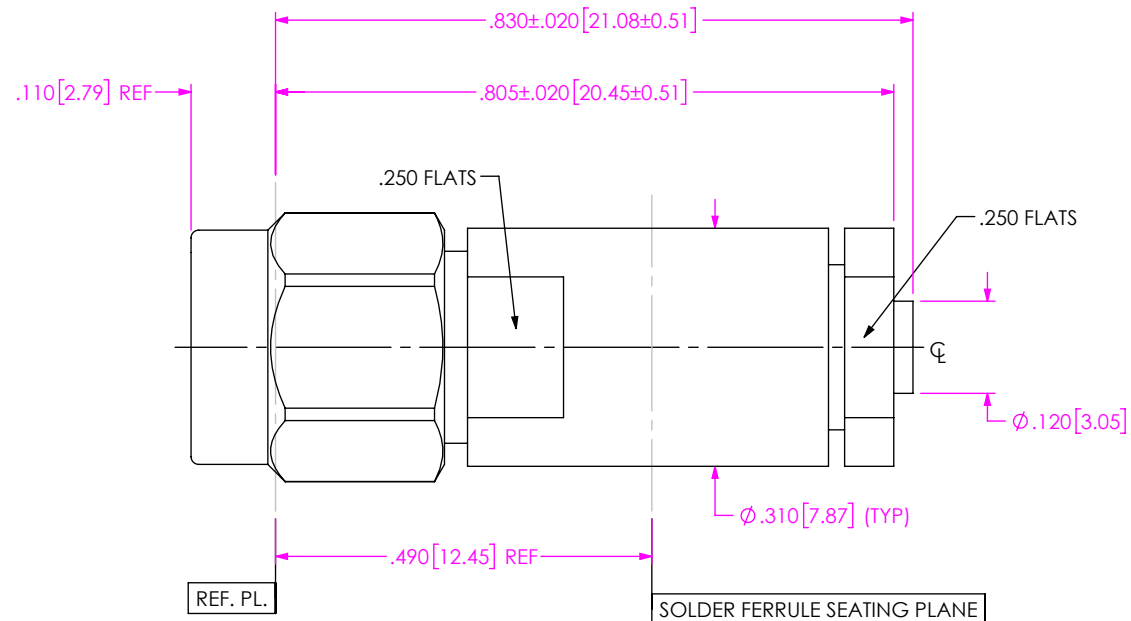


DESIGNED & DIMENSIONED
IN INCHES[MILLIMETERS]

DO NOT
SCALE FROM
THIS PRINT



PRF35-P-C-EP-405-SS

SERIES
-35: 3.5mm

GENDER
-P: PLUG

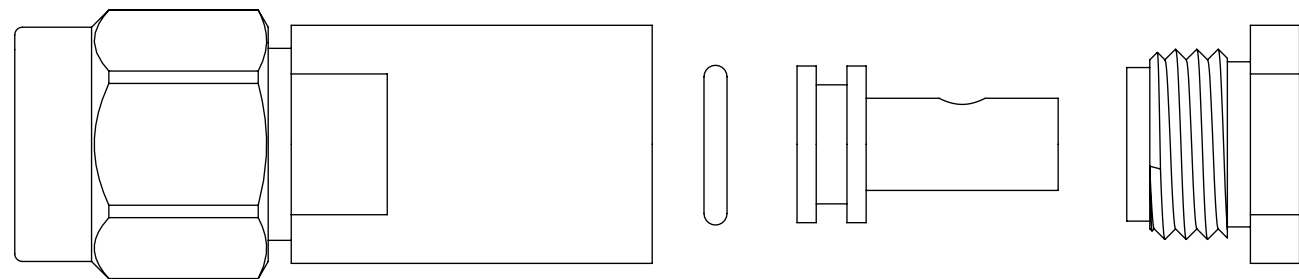
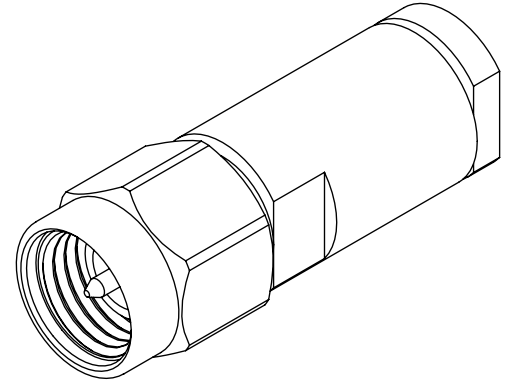
TYPE
-C: CABLE

FINISH
-EP: 50µ" EXTRA HEAVY GOLD
CENTER CONTACT, PASSIVATED
OUTER CONTACT

TERMINATION
-S: SOLDER CLAMP

ORIENTATION
-S: STRAIGHT

CABLE TYPE
-405: RG-405 SEMI-RIGID




EXPLODED VIEW
NOT TO SCALE
(FOR CLARITY ONLY)

NOTES:

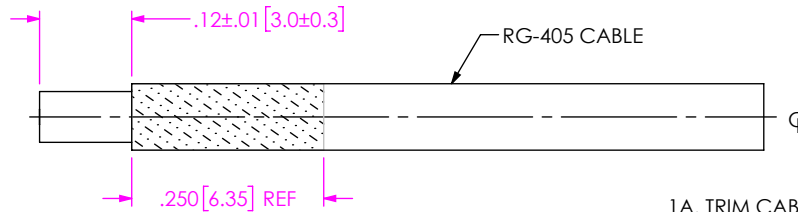
- MATERIAL:
BODY, BUSHING, COUPLING NUT, CLAMP NUT: STAINLESS STEEL
CONTACT, LOCK RING: BERYLLIUM COPPER
SOLDER FERRULE: BRASS ALLOY
BEAD: PCTFE
GASKET, O-RING: SILICONE RUBBER
- FINISH:
BODY, BUSHING, COUPLING NUT, CLAMP NUT: PASSIVATED
CONTACT, SOLDER FERRULE: 50µ" MIN. GOLD OVER 50µ" MIN. NICKEL PLATE
- PCI P/N: 3772.

F:\DWG\MISC\MKTG\PRF35-P-C-EP-405-SS-MKT.SLDDRW

UNLESS OTHERWISE SPECIFIED, DIMENSIONS ARE IN INCHES. TOLERANCES ARE: DECIMALS ANGLES .XX: ±.01 [0.3] 1° .XXX: ±.005 [0.13] .XXXX: ±.0005 [0.013]	* PROPRIETARY NOTE * THIS DOCUMENT CONTAINS CONFIDENTIAL AND PROPRIETARY INFORMATION AND ALL DESIGN, MANUFACTURING, REPRODUCTION, USE, PATENT RIGHTS AND SALES RIGHTS ARE EXPRESSLY RESERVED BY SAMTEC, INC. THIS DOCUMENT SHALL NOT BE DISCLOSED, IN WHOLE OR PART, TO ANY UNAUTHORIZED PERSON OR ENTITY NOR REPRODUCED, TRANSFERRED OR INCORPORATED IN ANY OTHER PROJECT IN ANY MANNER WITHOUT THE EXPRESS WRITTEN CONSENT OF SAMTEC, INC.	 520 PARK EAST BLVD, NEW ALBANY, IN 47150 PHONE: 812-944-6733 FAX: 812-948-5047 e-Mail: info@SAMTEC.com code 55322
		DESCRIPTION: 3.5 MM PLUG SOLDER CLAMP FOR RG-405 SEMI-RIGID CABLE
		DWG. NO. PRF35-P-C-EP-405-SS
DO NOT SCALE DRAWING SHEET SCALE: 4:1	BY: SAMUEL C 04/04/2019 SHEET 1 OF 2	

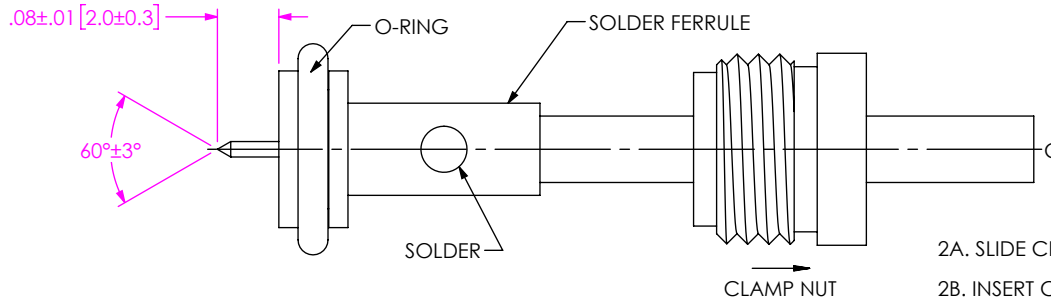
CABLE APPLICATION VIEWS

IN-PROCESS VIEW 1



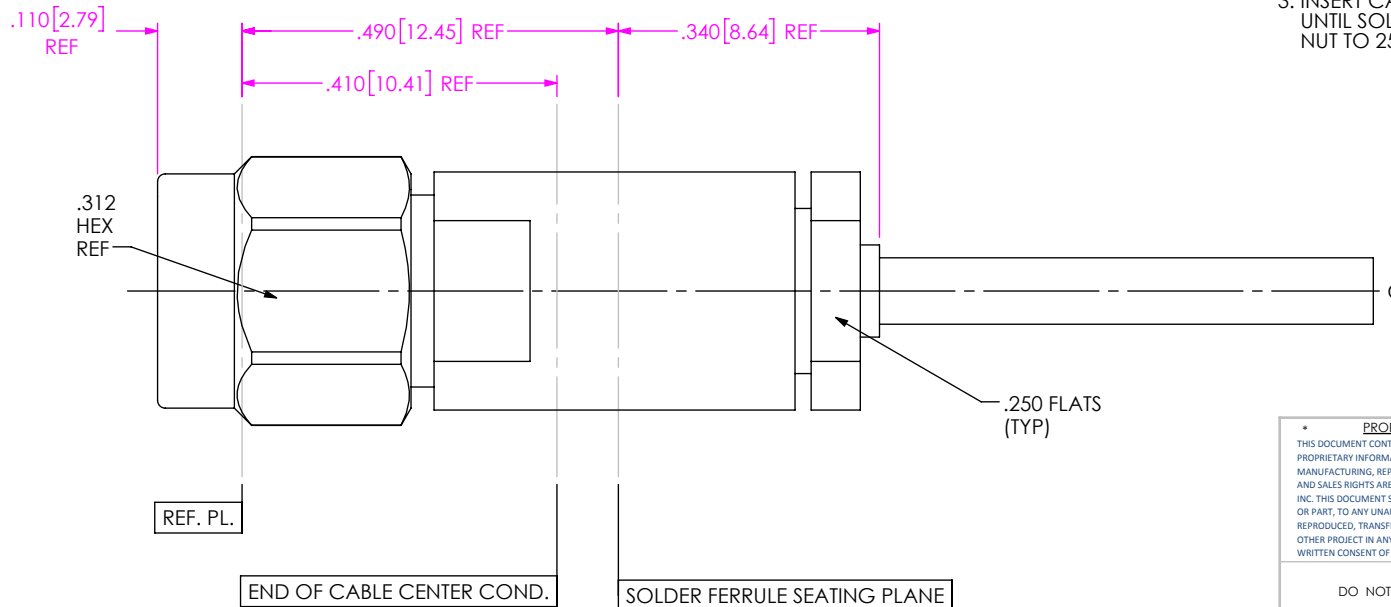
- 1A. TRIM CABLE TO EXPOSE DIELECTRIC CORE AS SHOWN.
- 1B. PRE-TIN CABLE JACKET TO APPROXIMATE DIMENSION SHOWN.

IN-PROCESS VIEW 2



- 2A. SLIDE CLAMP NUT ONTO CABLE IN ORIENTATION SHOWN.
- 2B. INSERT CABLE INTO SOLDER FERRULE UNTIL FULLY SEATED. THEN SOLDER CABLE TO FERRULE WHERE SHOWN.
- 2C. TRIM CABLE DIELECTRIC FLUSH WITH FERRULE FACE (DO NOT SCORE CENTER CONDUCTOR). THEN POINT CENTER CONDUCTOR AS SHOWN.

IN-PROCESS VIEW 3



- 3. INSERT CABLE SUB-ASSEMBLY INTO CONNECTOR BODY UNTIL SOLDER FERRULE IS SEATED AND TIGHTEN CLAMP NUT TO 25-35 IN. LBS.

DISTANCE FROM END OF CABLE CENTER COND. TO REF PL. IS .410(REF.)

PROPRIETARY NOTE
 THIS DOCUMENT CONTAINS CONFIDENTIAL AND PROPRIETARY INFORMATION AND ALL DESIGN, MANUFACTURING, REPRODUCTION, USE, PATENT RIGHTS AND SALES RIGHTS ARE EXPRESSLY RESERVED BY SAMTEC, INC. THIS DOCUMENT SHALL NOT BE DISCLOSED, IN WHOLE OR PART, TO ANY UNAUTHORIZED PERSON OR ENTITY NOR REPRODUCED, TRANSFERRED OR INCORPORATED IN ANY OTHER PROJECT IN ANY MANNER WITHOUT THE EXPRESS WRITTEN CONSENT OF SAMTEC, INC.



520 PARK EAST BLVD, NEW ALBANY, IN 47150
 PHONE: 812-944-6733 FAX: 812-948-5047
 e-Mail: info@SAMTEC.com code 55322

DO NOT SCALE DRAWING

SHEET SCALE: 4:1

DESCRIPTION: 3.5 MM PLUG SOLDER CLAMP FOR RG-405 SEMI-RIGID CABLE

DWG. NO. PRF35-P-C-EP-405-SS

BY: SAMUEL C 04/04/2019 SHEET 2 OF 2

X-ON Electronics

Largest Supplier of Electrical and Electronic Components

Click to view similar products for [RF Connectors / Coaxial Connectors](#) category:

Click to view products by [Samtec](#) manufacturer:

Other Similar products are found below :

[8915-1511-000](#) [89674-0827](#) [6001-7071-019](#) [6002-7051-003](#) [6002-7551-202](#) [6059674-1](#) [619550-1](#) [630059-000](#) [M39030/3-01N](#) [6500-7071-046](#) [6769](#) [CX050L2AQ](#) [7002-1541-010](#) [7002-1542-011](#) [7004-1512-000](#) [7009-1511-004](#) [7010-1511-000](#) [7029-1511-060](#) [7101-1541-010](#) [7101-1571-002](#) [7145-1521-002](#) [7203-1571-003](#) [7209-1511-011](#) [7210-1511-015](#) [7210-1511-019](#) [73137-5015](#) [73216-2241](#) [73404-2300](#) [7405-1521-005](#) [7405-1521-802](#) [8527](#) [8547](#) [FS11V](#) [877931](#) [9049-9513-000](#) [9074-9513-000](#) [9101-9573-002](#) [910A205F](#) [9130-9573-002](#) [PL11SC-026](#) [PL375-33](#) [PL40-5](#) [PL74C-221](#) [PL75MC-217](#) [PL803-7](#) [980-8666-005](#) [1200690078](#) [1-201144-1](#) [R107003010W](#) [R110A172100](#)