

DO NOT SCALE FROM THIS PRINT

DESIGNED & DIMENSIONED IN INCHES[MILLIMETERS]

PRF92-J-C-EP-085-SS

SERIES  
-92: 2.92mm

GENDER  
-J: JACK

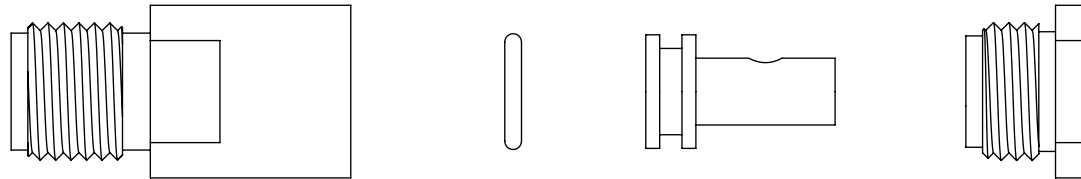
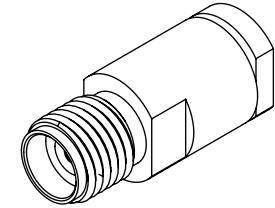
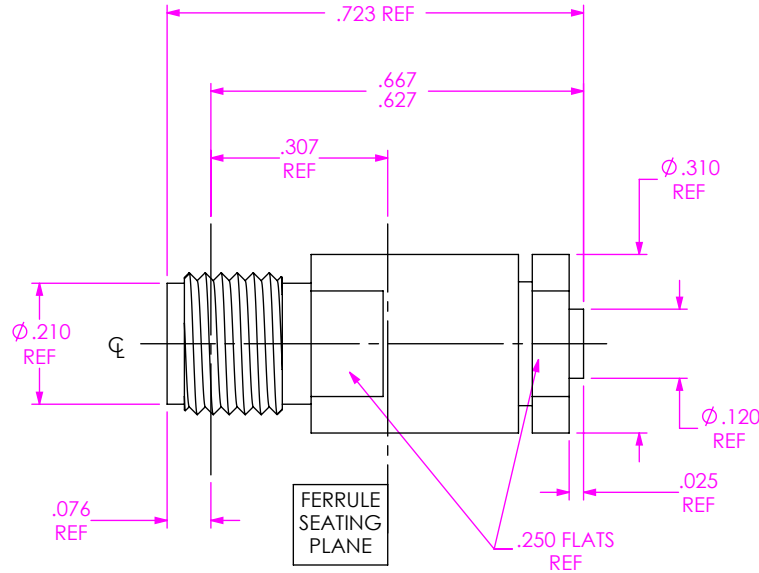
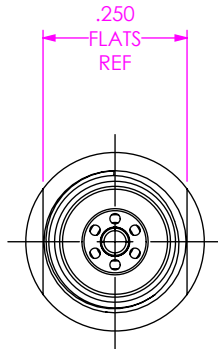
TYPE  
-C: CABLE

ORIENTATION  
-S: SOLDER CLAMP

ORIENTATION  
-S: STRAIGHT

CABLE TYPE  
-085: HARBOUR SS405


FINISH  
-EP: 50µ" EXTRA HEAVY GOLD CENTER CONTACT, PASSIVATED OUTER CONTACT



EXPLODED VIEW  
NOT TO SCALE  
(FOR CLARITY ONLY)

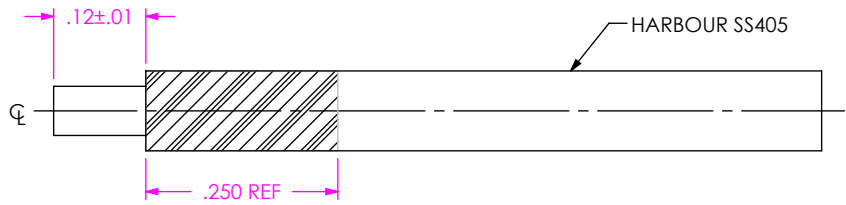
- NOTES:
- MATERIAL:  
BODY, CLAMP NUT: STAINLESS STEEL.  
O-RING: SILICONE RUBBER.  
SOLDER FERRULE: BRASS.  
INSULATOR: PCTFE.  
CONTACT: BERYLLIUM COPPER.
  - FINISH:  
BODY, CLAMP NUT, CLAMP NUT: PASSIVATED.  
SOLDER FERRULE, PIN: GOLD OVER NICKEL PLATE,  
50 µIN MIN GOLD OVER 50 µIN MIN NICKEL.
  - PCI PART NUMBER: 3157.

c:\enterprisevault\DWG\MISC\MKTG\PRF92-J-C-EP-085-SS-MKT.SLDDRW

UNLESS OTHERWISE SPECIFIED, DIMENSIONS ARE IN INCHES. TOLERANCES ARE: DECIMALS                      ANGLES .XX: ±.01                              1° .XXX: ±.005 .XXXX: ±.0005	* PROPRIETARY NOTE * THIS DOCUMENT CONTAINS CONFIDENTIAL AND PROPRIETARY INFORMATION AND ALL DESIGN, MANUFACTURING, REPRODUCTION, USE, PATENT RIGHTS AND SALES RIGHTS ARE EXPRESSLY RESERVED BY SAMTEC, INC. THIS DOCUMENT SHALL NOT BE DISCLOSED, IN WHOLE OR PART, TO ANY UNAUTHORIZED PERSON OR ENTITY NOR REPRODUCED, TRANSFERRED OR INCORPORATED IN ANY OTHER PROJECT IN ANY MANNER WITHOUT THE EXPRESS WRITTEN CONSENT OF SAMTEC, INC.		
		520 PARK EAST BLVD, NEW ALBANY, IN 47150 PHONE: 812-944-6733      FAX: 812-948-5047 e-Mail info@SAMTEC.com      code 55322	
MATERIAL: DO NOT SCALE DRAWING      SHEET SCALE: 3:1 BODY, CLAMP NUT: STAINLESS STEEL CONTACT: COPPER ALLOY SOLDER FERRULE: BRASS O-RING: SILICONE RUBBER INSULATOR: PCTFE MASS: 4.343018 GRAMS	DESCRIPTION: 2.92MM JACK, SOLDER CLAMP FOR HARBOUR SS405 CABLE	DWG. NO. PRF92-J-C-EP-085-SS	BY: HENSON T 04/09/2019      SHEET 1 OF 2

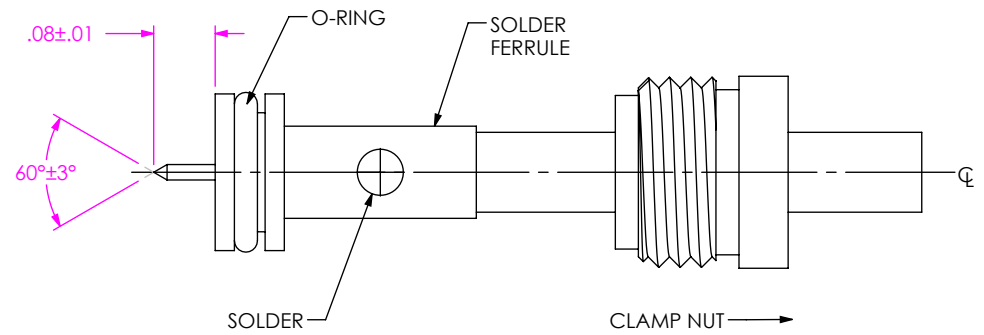
REVISION B

- 1A. TRIM CABLE TO EXPOSE CENTER DIELECTRIC AS SHOWN.
- 1B. PRE-TIN CABLE OUTER JACKET OVER APPROX. LENGTH SHOWN

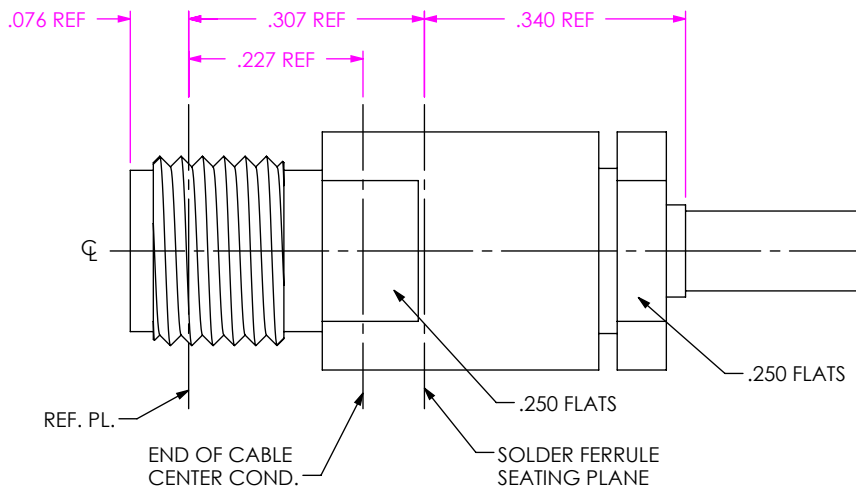


IN-PROCESS VIEW 1

- 2A: SLIDE CLAMP NUT ONTO CABLE IN ORIENTATION AS SHOWN.
- 2B: INSTALL CABLE INTO SOLDER FERRULE UNTIL FULLY SEATED. THEN SOLDER CABLE TO FERRULE WHERE SHOWN
- 2C: TRIM CABLE DIELECTRIC FLUSH WITH FERRULE FACE (DO NOT SCORE CENTER CONDUCTOR). THEN POINT CENTER CONDUCTOR AS SHOWN



IN-PROCESS VIEW 2



NOTE:  
DISTANCE FROM END OF CABLE CENTER COND. TO REF. PL. IS .227 REF

- 3A: INSERT CABLE SUB-ASSEMBLY INTO CONNECTOR BODY UNTIL SOLDER FERRULE IS SEATED AND TIGHTEN CLAMP NUT TO 25-35 IN. LBS.

IN-PROCESS VIEW 3

**PROPRIETARY NOTE**  
THIS DOCUMENT CONTAINS CONFIDENTIAL AND PROPRIETARY INFORMATION AND ALL DESIGN, MANUFACTURING, REPRODUCTION, USE, PATENT RIGHTS AND SALES RIGHTS ARE EXPRESSLY RESERVED BY SAMTEC, INC. THIS DOCUMENT SHALL NOT BE DISCLOSED, IN WHOLE OR PART, TO ANY UNAUTHORIZED PERSON OR ENTITY NOR REPRODUCED, TRANSFERRED OR INCORPORATED IN ANY OTHER PROJECT IN ANY MANNER WITHOUT THE EXPRESS WRITTEN CONSENT OF SAMTEC, INC.



520 PARK EAST BLVD, NEW ALBANY, IN 47150  
PHONE: 812-944-6733 FAX: 812-948-5047  
e-Mail info@SAMTEC.com code 55322

DO NOT SCALE DRAWING  
SHEET SCALE: 4:1

DESCRIPTION: 2.92MM JACK, SOLDER CLAMP FOR HARBOUR SS405 CABLE

DWG. NO. PRF92-J-C-EP-085-SS

BY: HENSON T 04/09/2019 SHEET 2 OF 2

## X-ON Electronics

Largest Supplier of Electrical and Electronic Components

*Click to view similar products for [RF Connectors / Coaxial Connectors](#) category:*

*Click to view products by [Samtec](#) manufacturer:*

Other Similar products are found below :

[8915-1511-000](#) [89674-0827](#) [6001-7071-019](#) [6002-7051-003](#) [6002-7551-202](#) [6059674-1](#) [619550-1](#) [630059-000](#) [M39030/3-01N](#) [6500-7071-046](#) [6769](#) [CX050L2AQ](#) [7002-1541-010](#) [7002-1542-011](#) [7004-1512-000](#) [7009-1511-004](#) [7010-1511-000](#) [7029-1511-060](#) [7101-1541-010](#) [7101-1571-002](#) [7145-1521-002](#) [7203-1571-003](#) [7209-1511-011](#) [7210-1511-015](#) [7210-1511-019](#) [73137-5015](#) [73216-2241](#) [73404-2300](#) [7405-1521-005](#) [7405-1521-802](#) [8527](#) [8547](#) [FS11V](#) [877931](#) [9049-9513-000](#) [9074-9513-000](#) [9101-9573-002](#) [910A205F](#) [9130-9573-002](#) [PL11SC-026](#) [PL375-33](#) [PL40-5](#) [PL74C-221](#) [PL75MC-217](#) [PL803-7](#) [980-8666-005](#) [1200690078](#) [1-201144-1](#) [R107003010W](#) [R110A172100](#)