

**DESIGNED & DIMENSIONED
IN INCHES[MILLIMETERS]**

PRF92-P-C-EP-085-SS

SERIES
-92: 2.92mm

GENDER
-P: PLUG

TYPE
-C: CABLE

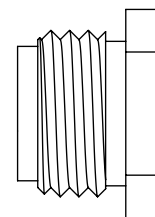
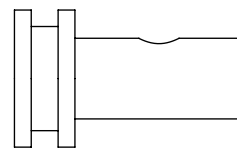
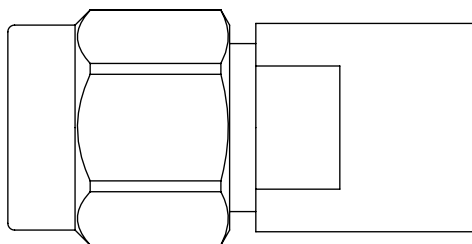
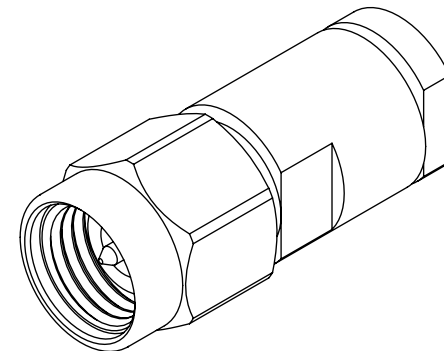
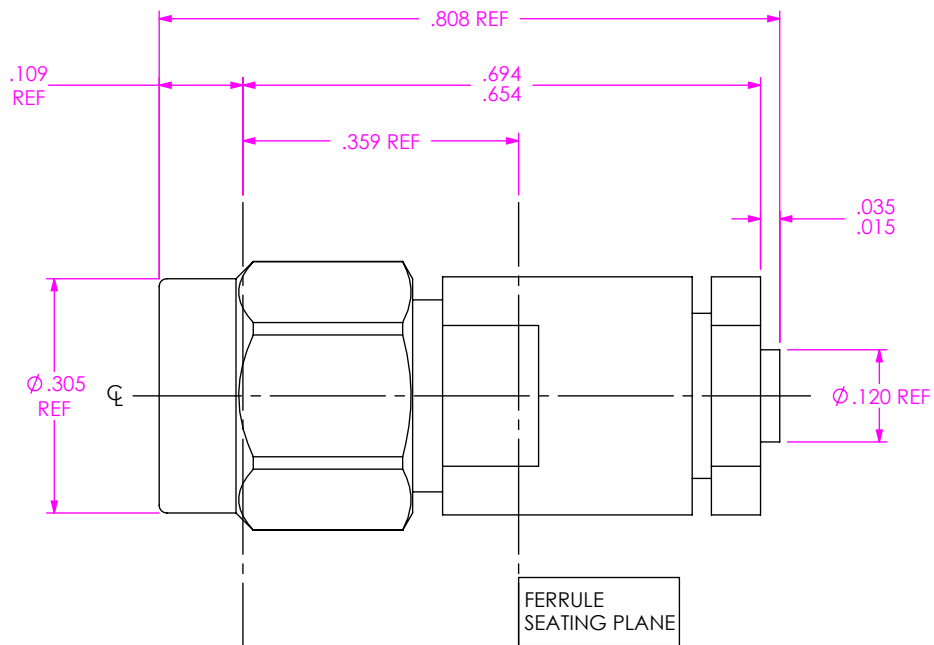
ORIENTATION
-S: SOLDER CLAMP

ORIENTATION
-S: STRAIGHT

CABLE TYPE
-085: HARBOUR SS405


FINISH
-EP: 50µ" EXTRA HEAVY GOLD
CENTER CONTACT, PASSIVATED
OUTER CONTACT

DO NOT
SCALE FROM
THIS PRINT

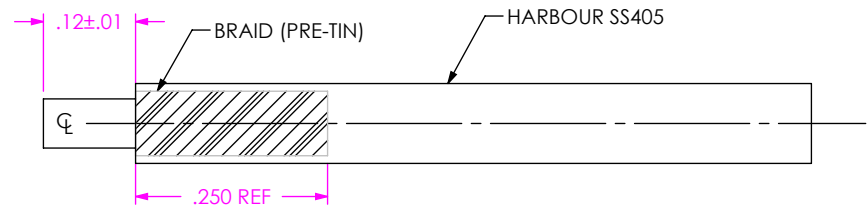


**EXPLODED VIEW
NOT TO SCALE
(FOR CLARITY ONLY)**

- NOTES:
- MATERIAL:
BODY, COUPLING NUT, CLAMP NUT: STAINLESS STEEL.
GASKET, O-RING: SILICONE RUBBER.
SOLDER FERRULE: BRASS.
INSULATOR: PCTFE.
CONTACT, LOCK-RING: BERYLLIUM COPPER.
 - FINISH:
BODY, COUPLING NUT, CLAMP NUT: PASSIVATED.
SOLDER FERRULE, PIN: GOLD OVER NICKEL PLATE,
50 µIN MIN GOLD OVER 50 µIN MIN NICKEL.
 - PCI PART NUMBER: 3197.

UNLESS OTHERWISE SPECIFIED, DIMENSIONS ARE IN INCHES. TOLERANCES ARE: DECIMALS ANGLES .XX: ±.01 .XXX: ±.002 .XXXX: ±.0005	* PROPRIETARY NOTE * THIS DOCUMENT CONTAINS CONFIDENTIAL AND PROPRIETARY INFORMATION AND ALL DESIGN, MANUFACTURING, REPRODUCTION, USE, PATENT RIGHTS AND SALES RIGHTS ARE EXPRESSLY RESERVED BY SAMTEC, INC. THIS DOCUMENT SHALL NOT BE DISCLOSED, IN WHOLE OR PART, TO ANY UNAUTHORIZED PERSON OR ENTITY NOR REPRODUCED, TRANSFERRED OR INCORPORATED IN ANY OTHER PROJECT IN ANY MANNER WITHOUT THE EXPRESS WRITTEN CONSENT OF SAMTEC, INC.	 520 PARK EAST BLVD, NEW ALBANY, IN 47150 PHONE: 812-944-6733 FAX: 812-948-5047 e-Mail: info@SAMTEC.com code 55322	
		MATERIAL: DO NOT SCALE DRAWING SHEET SCALE: 4:1	DESCRIPTION: 2.92MM PLUG, SOLDER CLAMP FOR HARBOUR SS405
		DWG. NO. PRF92-P-C-EP-085-SS	BY: HENSON T 04/12/2019 SHEET 1 OF 2

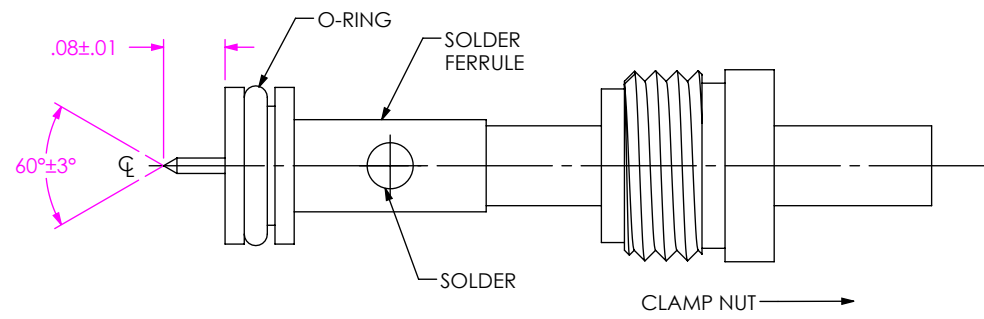
1A. TRIM CABLE TO EXPOSE BRAID AND CENTER DIELECTRIC AS SHOWN.
 1B. PRE-TIN CABLE BRAID



IN-PROCESS VIEW 1

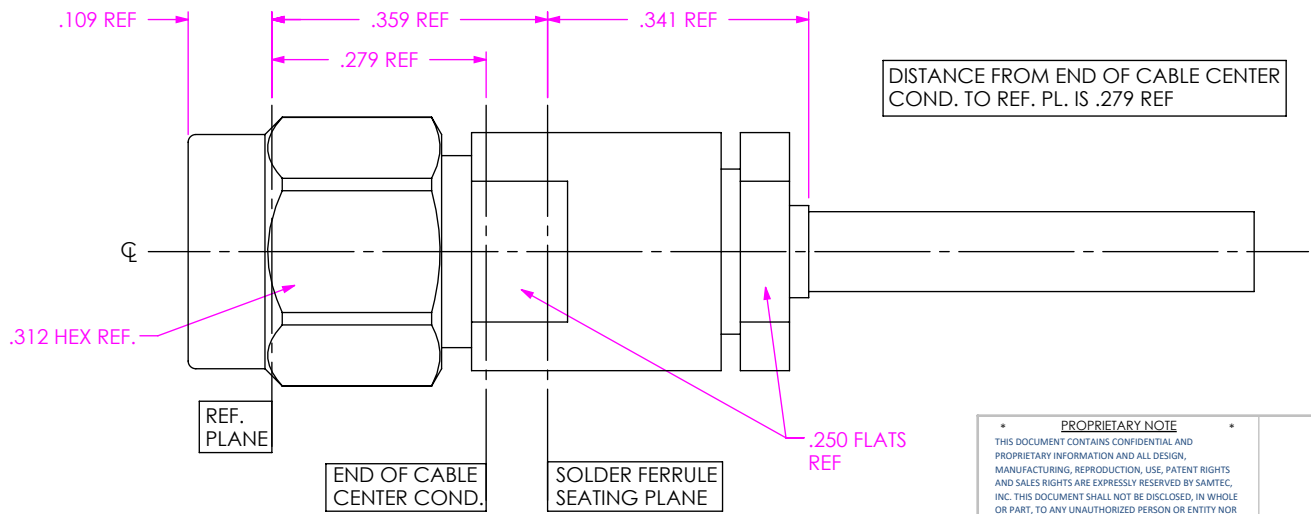
IN-PROCESS 1

2A: SLIDE CLAMP NUT ONTO CABLE IN ORIENTATION AS SHOWN.
 2B: INSERT CABLE INTO SOLDER FERRULE UNTIL FULLY SEATED.
 THEN SOLDER CABLE TO FERRULE WHERE SHOWN
 2C: TRIM CABLE DIELECTRIC FLUSH WITH FERRULE FACE (DO NOT SCORE
 CENTER CONDUCTOR). THEN POINT CENTER CONDUCTOR AS SHOWN



IN-PROCESS VIEW 2

IN-PROCESS 2



3A: INSERT CABLE SUB-ASSEMBLY INTO CONNECTOR
 BODY UNTIL SOLDER FERRULE IS SEATED AND TIGHTEN
 CLAMP NUT TO 25-35 IN. LBS.

IN-PROCESS VIEW 3

IN-PROCESS 3

PROPRIETARY NOTE
 THIS DOCUMENT CONTAINS CONFIDENTIAL AND
 PROPRIETARY INFORMATION AND ALL DESIGN,
 MANUFACTURING, REPRODUCTION, USE, PATENT RIGHTS
 AND SALES RIGHTS ARE EXPRESSLY RESERVED BY SAMTEC,
 INC. THIS DOCUMENT SHALL NOT BE DISCLOSED, IN WHOLE
 OR PART, TO ANY UNAUTHORIZED PERSON OR ENTITY NOR
 REPRODUCED, TRANSFERRED OR INCORPORATED IN ANY
 OTHER PROJECT IN ANY MANNER WITHOUT THE EXPRESS
 WRITTEN CONSENT OF SAMTEC, INC.



520 PARK EAST BLVD, NEW ALBANY, IN 47150
 PHONE: 812-944-6733 FAX: 812-948-5047
 e-Mail: info@SAMTEC.com code 55322

DO NOT SCALE DRAWING

SHEET SCALE: 4:1

DESCRIPTION: 2.92MM PLUG, SOLDER CLAMP
 FOR HARBOUR SS405

DWG. NO. PRF92-P-C-EP-085-SS

BY: HENSON T 04/12/2019 SHEET 2 OF 2

X-ON Electronics

Largest Supplier of Electrical and Electronic Components

Click to view similar products for [RF Connectors / Coaxial Connectors](#) category:

Click to view products by [Samtec](#) manufacturer:

Other Similar products are found below :

[8915-1511-000](#) [89674-0827](#) [6001-7071-019](#) [6002-7051-003](#) [6002-7551-202](#) [6059674-1](#) [619550-1](#) [630059-000](#) [M39030/3-01N](#) [6500-7071-046](#) [6769](#) [CX050L2AQ](#) [7002-1541-010](#) [7002-1542-011](#) [7004-1512-000](#) [7009-1511-004](#) [7010-1511-000](#) [7029-1511-060](#) [7101-1541-010](#) [7101-1571-002](#) [7145-1521-002](#) [7203-1571-003](#) [7209-1511-011](#) [7210-1511-015](#) [7210-1511-019](#) [73137-5015](#) [73216-2241](#) [73404-2300](#) [7405-1521-005](#) [7405-1521-802](#) [8527](#) [8547](#) [FS11V](#) [877931](#) [8808-1511-001](#) [9049-9513-000](#) [9074-9513-000](#) [9101-9573-002](#) [910A205F](#) [9130-9573-002](#) [PL11SC-026](#) [PL375-33](#) [PL40-5](#) [PL74C-221](#) [PL75MC-217](#) [PL803-7](#) [980-8666-005](#) [1200690078](#) [1-201144-1](#) [R107003010W](#)