

(0.80 mm) .0315" PITCH • QRM8/QRF8 SERIES

QRM8
Board Mates:
QRF8

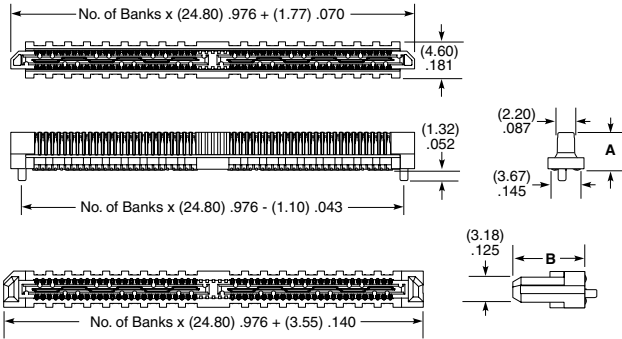
QRF8
Board Mates:
QRM8

QRM8/QRF8
Cable Mates:
EQRD

SPECIFICATIONS

Insulator Material:
Black LCP
QRM8 Terminal Material:
Phosphor Bronze
QRF8 Contact Material:
BeCu
Ground Plane Material:
Phosphor Bronze
Plating:
Au or Sn over
50 μ" (1.27 μm) Ni
Current Rating:
Contact:
2.2 A per pin (2 pins powered)
Ground:
8.5 A per ground plane
(1 ground plane powered)
Operating Temp Range:
-55 °C to +125 °C
Voltage Rating:
215 VAC
Max Cycles:
100

QRM8	PINS PER ROW NO. OF PAIRS	LEAD STYLE	PLATING OPTION	TYPE	A	OTHER OPTIONS
	-026, -052, -078 (52 total pins per bank = -D)	-02.0 = 2 mm Body Height (N/A -054 & -078 Positions)	-L = 10 μ" (0.25 μm) Gold on contact, Matte Tin on tail	-D = Single- Ended		-GP = Guide Post
	-018, -036, -054 (18 pairs per bank = -D-DP)	-05.0 = 5 mm Body Height	-S = 30 μ" (0.76 μm) Gold on contact, Matte Tin on tail	-D-DP = Differential Pair		-K = (5.00 mm) .197" DIA Polyimide Film Pick & Place Pad
		-07.0 = 7 mm Body Height				-TR = Tape & Reel (-018, -026, -036, -052 only)
						-FR = Full Reel Tape & Reel (must order maximum quantity per reel; contact Samtec for quantity breaks) (-018, -026, -036, -052 only)



LEAD STYLE	A	B
-02	(4.81) .189	(6.12) .241
-05	(7.81) .307	(9.12) .359
-07	(9.78) .385	(11.12) .438

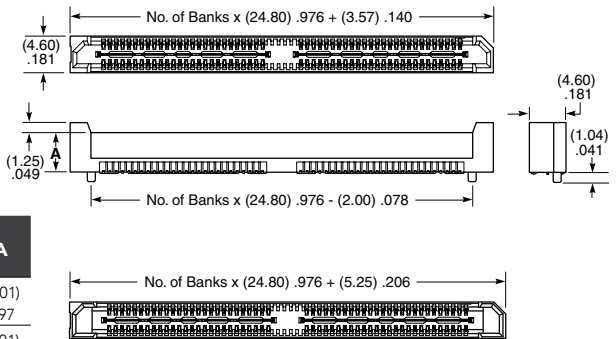
-GP OPTION

View complete specifications at: samtec.com?QRM8

PROCESSING

Lead-Free Solderable:
Yes
SMT Lead Coplanarity:
(0.10 mm) .004" max
(018-026)
0.15 mm) .006" max
(036-078)*
*(.004" stencil solution
may be available; contact
ipg@samtec.com)
Board Stacking:
For applications requiring
more than two connectors
contact ipg@samtec.com

QRF8	PINS PER ROW NO. OF PAIRS	LEAD STYLE	PLATING OPTION	TYPE	A	OTHER OPTIONS
	-026, -052, -078 (52 total pins per bank = -D)	-05.0 = 5 mm Body Height	-L = 10 μ" (0.25 μm) Gold on contact, Matte Tin on tail	-D = Single-Ended		-GP = Guide Post
	-018, -036, -054 (18 pairs per bank = -D-DP)	-07.0 = 7 mm Body Height	-S = 30 μ" (0.76 μm) Gold on contact, Matte Tin on tail	-D-DP = Differential Pair		-K = (5.00 mm) .197" DIA Polyimide Film Pick & Place Pad
						-TR = Tape & Reel (-018, -026, -036, -052 only)
						-FR = Full Reel Tape & Reel (must order max. quantity per reel; contact Samtec for quantity breaks) (-018, -026, -036, -052 only)

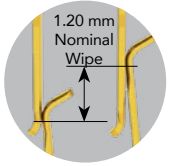


MATED HEIGHT*		
QRF8 LEAD STYLE	QRM8 LEAD STYLE	
	-02.0	-05.0
-05	(7.00) .276	(10.00) .394
	(12.00) .472	(14.00) .551
-07	(9.00) .354	(12.00) .472

*Processing conditions will affect mated height. See SO Series for board space tolerances.

-GP OPTION

View complete specifications at: samtec.com?QRF8



Note:
Some lengths, styles and
options are non-standard,
non-returnable.

LEAD STYLE	A
-05	(5.01) .197
-07	(7.01) .276

X-ON Electronics

Largest Supplier of Electrical and Electronic Components

Click to view similar products for [Board to Board & Mezzanine Connectors](#) category:

Click to view products by [Samtec](#) manufacturer:

Other Similar products are found below :

[589158040000018](#) [FCN-230C068-11](#) [FCN-268F012-G/BD](#) [FCN-268F036-G/BD](#) [FCN-268M012-G/0D](#) [FCN-268M024-G/1D](#) [FCN-723J004/1](#) [MIS-048-01-F-D-DP-K](#) [832-10-034-10-001000](#) [FX4C-80S-1.27DSA](#) [FCN-214Q030-G/0](#) [FCN-234P048-G/0](#) [FCN-235D050-G/C](#) [210-93-314-41-105000](#) [2-22603-0](#) [MDF7-40DP-2.54DSA\(55\)](#) [AXG720047](#) [5031084030](#) [MIT-114-03-F-D-K](#) [55323-1519](#) [DF33-2P-3.3DSA\(24\)](#) [YFT-20-05-H-03-SB-K](#) [503308-3040](#) [026-6203-PDB](#) [027-6203-PDB](#) [069159702701000](#) [10123981-102LF](#) [101A10019X](#) [55650-0588-C](#) [68684-306](#) [75140-7012](#) [589159005003045](#) [194261-1](#) [FCN-268F024-G0D](#) [10124054-515LF](#) [68685-603](#) [8-1616154-3](#) [MIS-019-01-F-D](#) [589159005002045](#) [541371078](#) [IL-WX-10PB-HF-B-E1000E](#) [FCN-268M024-G/3D](#) [20021832-06016C1LF](#) [KX15-20KLDL-E1000E](#) [MDF7-16DP-2.54DSA\(55\)](#) [AXE810124](#) [FCN-214J100-G/0](#) [FCN-230C068-E/S](#) [AXE812124](#) [AXE816124](#)