

REVISION

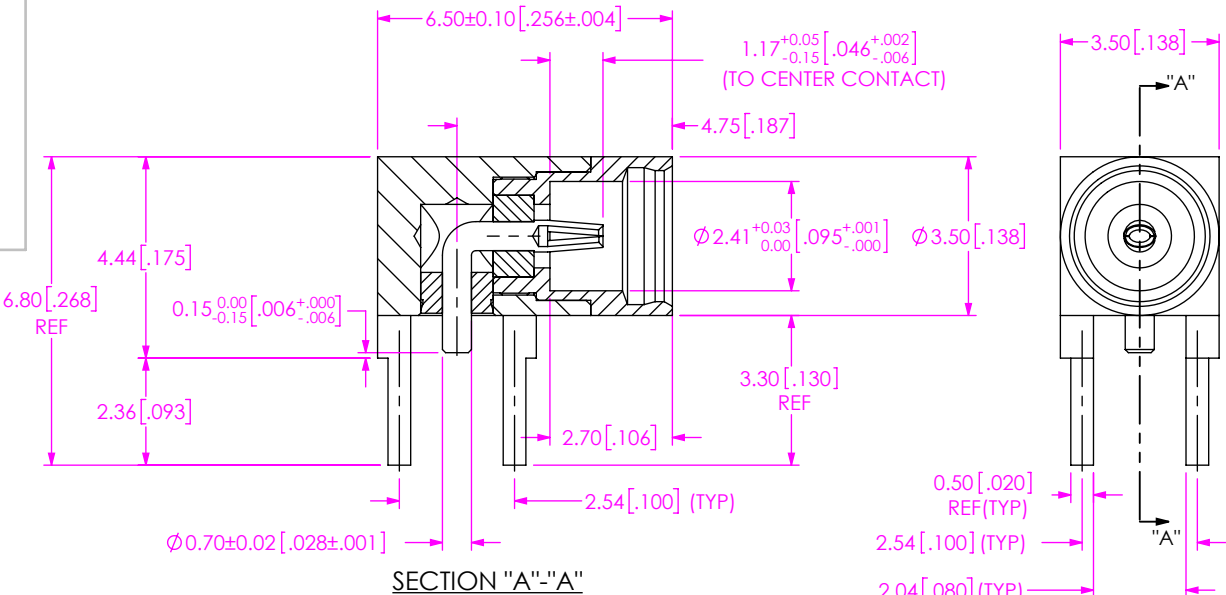
A	AZ	S MANGELS
10/9/2014 ECN-237685 RELEASE FOR PRODUCTION		
B	JB	T Meek
12/30/2015 ECN-265529 NOTES: ADD NOTE 7; ADD BTM VIEW.		
C	JB	T WILD
11/9/2018 ECN-340971 BOM: CHG ITEM 2 CT-ASP4214MS TO CT-RSP015MS.		

NOTES:

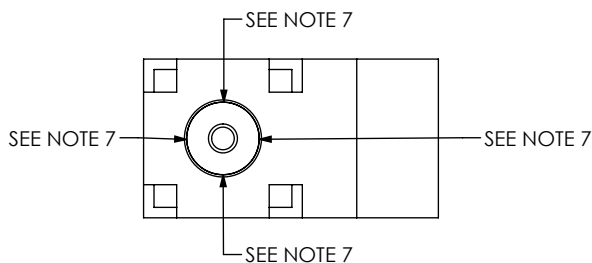
- MIXED TECHNOLOGY, MMCX RA JACK PACKAGED IN TAPE AND REEL IS NOT AVAILABLE AS STANDARD.
- © REPRESENTS A CRITICAL DIMENSION.
- PUSHOUT FORCE FOR INSULATOR: 22.24 N [5 LB] MIN.
- PUSHOUT FORCE FOR CENTER CONTACT: 11.12 N [2.5 LB] MIN.
- RoHS COMPLIANT.
- PARTS TO BE PACKAGED IN TAPE AND REEL.
- STAKE SHELL IN 4 PLACES.

**DESIGNED & DIMENSIONED
IN MILLIMETERS [INCHES]**

**THIS PRODUCT MANUFACTURED
WITH LEAD-FREE PROCESSING**

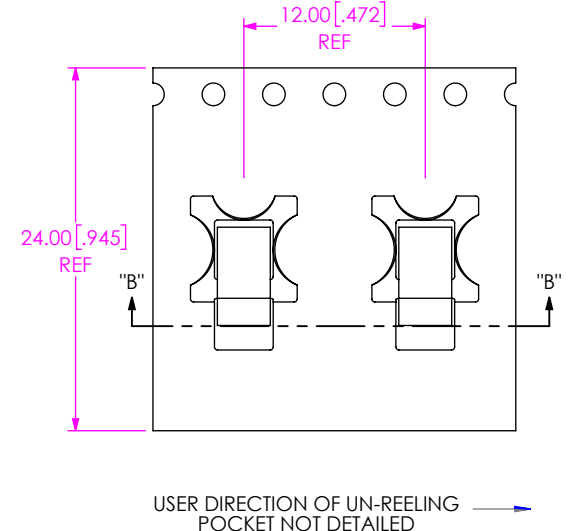


SECTION "A"-"A"

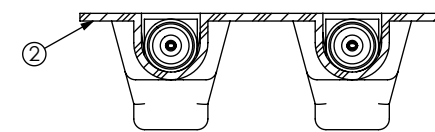


SECTION "B"-"B"
SCALE 2 : 1

PACKAGING VIEW



USER DIRECTION OF UN-REELING
POCKET NOT DETAILED

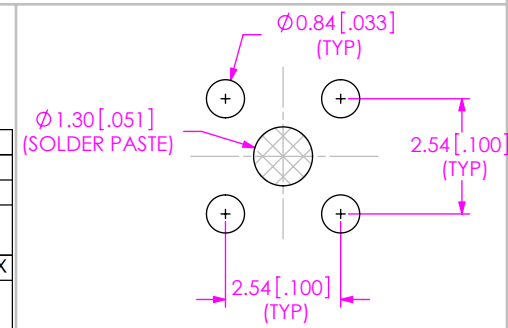


BY SIGNING THIS DOCUMENT YOU ARE ACCEPTING THE CONDITIONS SET WITHIN YOUR REQUIREMENTS MUST BE LISTED WITHIN THIS DRAWING. WHERE NO DIRECTION FROM THE CUSTOMER IS IDENTIFIED SAMTEC'S PROCESS REQUIREMENTS WILL BE USED.

DATE: _____
COMPANY: _____
CUSTOMER SIGNATURE: _____
PRINTED NAME: _____
PHONE No: _____
EXCEPTIONS: _____

SPECIFICATIONS:

ELECTRICAL RATINGS	
IMPEDANCE	50 Ω
FREQUENCY RANGE	0 ~ 6 GHz
V.S.W.R.	1.5 MAX
DIELECTRIC VOLTAGE (HI-POT TEST)	500 V RMS MIN
WORKING VOLTAGE (AT SEA LEVEL)	170 V RMS MAX
CONTACT RESISTANCE:	
CENTER CONTACT	5 mΩ MAX
OUTER CONTACT	2.5 mΩ MAX
INSULATION RESISTANCE	1000 MΩ



RECOMMENDED PCB LAYOUT

UNLESS OTHERWISE SPECIFIED, DIMENSIONS ARE IN MILLIMETERS [INCHES]. TOLERANCES ARE:
DECIMALS ANGLES
.X: ±0.3 [0.01] 2°
.XX: ±0.13 [0.005]
.XXX: ±0.051 [0.0020]

MATERIAL: DO NOT SCALE DRAWING SHEET SCALE: 6:1
SHELL: BRASS C3604B
PIN: BeCu C17300
INSULATOR: PTFE
PLATING:
CENTER CONTACT: 10µ" GOLD
OUTER CONTACT: 3µ" GOLD
F:\dvwg\sw\rsp\183000\RSP-183584-01.SLDDRW

samtec
520 PARK EAST BLVD. NEW ALBANY, IN 47150
PHONE: 812-944-6733 FAX: 812-948-5047
e-Mail info@SAMTEC.com code 55322

DESCRIPTION:
MMCX RIGHT ANGLE, JACK- 50 OHM

DWG. NO.
RSP-183584-01

BY: A ZAMORA 10/09/2014 SHEET 1 OF 1

ITEM NO.	PART NUMBER	QUANTITY	DESCRIPTION
1	ASP-158458-06	1.0000	BRASS C3604B/BeCu C17300/PTFE
2	CT-RSP015MS	.00148	CONDUCTIVE POLIMER



X-ON Electronics

Largest Supplier of Electrical and Electronic Components

Click to view similar products for [RF Connectors](#) / [Coaxial Connectors](#) category:

Click to view products by [Samtec](#) manufacturer:

Other Similar products are found below :

[89674-0827](#) [6059674-1](#) [630059-000](#) [6501-1071-002](#) [6769](#) [7002-1541-010](#) [7002-1572-002](#) [7004-1512-000](#) [7009-1511-004](#) [7101-1541-010](#)
[7101-1571-002](#) [7105-1521-002](#) [7203-1571-003](#) [7209-1511-011](#) [7210-1511-040](#) [7242-1511-000](#) [7405-1521-005](#) [7405-1521-802](#)
[804S01D04M040](#) [8527](#) [8547](#) [FS11V](#) [877931](#) [8808-1511-001](#) [9049-9513-000](#) [9074-9513-000](#) [PL11C-026](#) [PL40-36](#) [9408-1113-000](#) [980-](#)
[8666-005](#) [11 SMA-50-2-6 / 111 NE](#) [11 SMA-50-3-6 / 111 NE](#) [1-201144-1](#) [120919](#) [R107003010W](#) [R112186000](#) [R113053000W](#) [R113082097](#)
[R113236000](#) [R114083000](#) [R114670000W](#) [R123415000W](#) [R124076320](#) [R124076450](#) [R124175123](#) [R125075000W](#) [R125075001](#)
[R125172000W](#) [R125415030](#) [R141007161](#)