

**(2.00 mm) .0787" PITCH • CABLE ASSEMBLY/COMPONENTS**



SERIES	PINS PER ROW	WIRE GAUGE	PLATING OPTION	ASSEMBLED LENGTH	END OPTIONS	END 2 OPTIONS
<b>S2SD</b> = Double Row PVC Cable	<b>-05, -07, -10, -15, -20, -25, -30</b> (Standard sizes)	<b>-24</b> <b>-24C</b> = Color Coded Cable (S2SD only)	<b>-L</b> = 10 μ" (0.25 μm) Gold on contact	<b>-"XX.XX"</b> = Wire Length in Inches (69.85 mm) 02.75" min.	<b>-S</b> = Single End <b>-D</b> = Double End	(Only available with -D, -DR & -DS) <b>-NUS</b> = Notch up, straight (Pin 1 to Pin N-1) <b>-NDS</b> = Notch down, straight (Pin 1 to Pin 2) <b>-NUX</b> = Notch up, crossed (Pin 1 to Pin N) <b>-NDX</b> = Notch down, crossed (Pin 1 to Pin 1)
<b>S2SDT</b> = Double Row Blue *Teflon® Cable (24, 28, 30 Gauge only)		<b>-26</b> <b>-28</b> <b>-30</b>			Specify "S" for single ended and "D" for double ended. <b>-(X)R</b> = Retention Latch (-SR mates with T2M-WT) <b>-(X)S</b> = Screw Down (10 positions minimum) (mates with T2M-DS)	

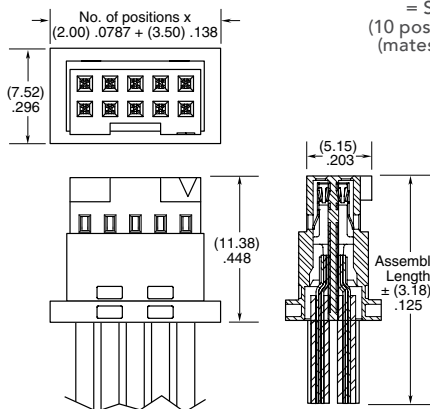
**S2SD(T)**  
Board Mates:  
T2M

**SPECIFICATIONS**

**Insulator Material:** Black LCP  
**Contact Material:** BeCu  
**Plating:** Au over 50 μ" (1.27 μm) Ni  
**Wire:** 24, 26, 28 or 30 AWG  
**Operating Temp Range:** -10 °C to +105 °C (PVC) -40 °C to +125 °C (\*Teflon®)  
**Current Rating (S2SD-24/T2M):** 3.8 A per pin (2 pins powered)  
**Voltage Rating:** 250 VAC

**-24C CABLE COLOR CODING**

PIN	COLOR
1	BROWN
2	RED
3	ORANGE
4	YELLOW
5	GREEN
6	VIOLET
7	GRAY
8	WHITE
9	BLACK
10	BLUE
ETC	REPEAT



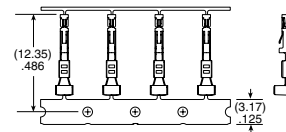
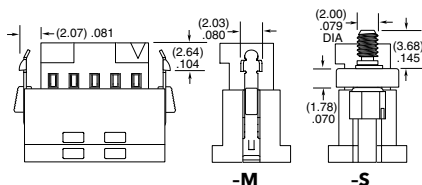
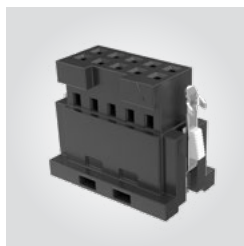
\*DuPont™ Teflon® is a registered trademark of the E.I. du Pont de Nemours and Company or its affiliates.

**Notes:** Teflon® cable is intended for crimp only. Contact Samtec for solderable cable applications.

For wiring option information refer to drawings on web.

View complete specifications at: [samtec.com?S2SD](http://samtec.com?S2SD) and [samtec.com?S2SDT](http://samtec.com?S2SDT)

ISD2	POSITIONS PER ROW	ROW OPTION	LATCH OPTION	SERIES	WIRE GAUGE	01	L
	<b>-05, -07, -10, -15, -20, -25, -30</b> (Standard sizes)	<b>-D</b> = Double Row	<b>-M</b> = Metal Retention Latch <b>-S</b> = Screw Down	<b>CC81L</b> = Contact, Loose <b>CC81R</b> = Contact, Full Reel (17,000 Parts per Reel)	<b>-2426</b> = 24 to 26 AWG <b>-2830</b> = 28 to 30 AWG		<b>-L</b> = 10 μ" (0.25 μm) Gold on contact



**TOOLING**

Hand Tool: CAT-HT-281-2430-13	Mini Applicator: CAT-MC-281-2426-XX-01 (24-26 AWG)
Extraction Tool: CAT-EX-169-01	Mini Applicator: CAT-MC-281-2830-XX-01 (28-30 AWG)

**Note:** Some lengths, styles and options are non-standard, non-returnable.

View complete specifications at: [samtec.com?ISD2](http://samtec.com?ISD2), [samtec.com?CC81R](http://samtec.com?CC81R) & [samtec.com?CC81L](http://samtec.com?CC81L)

## X-ON Electronics

Largest Supplier of Electrical and Electronic Components

*Click to view similar products for [Rectangular Cable Assemblies](#) category:*

*Click to view products by [Samtec](#) manufacturer:*

Other Similar products are found below :

[MC320E-N-23](#) [A08KR08KR26E203B](#) [G125FC10668L0-0300L](#) [G125FC10668L0-0150L](#) [G125-FC11068L0-0150L](#) [G125-FC11068L0-0300L](#)  
[A06XAF06XAF22K254B](#) [A16KR16KR26E203B](#) [A12KR12KR26E305A](#) [A12KR12KR26E305B](#) [A12ZR12ZR28H203B](#)  
[A12ZR12ZR28H203A](#) [A10SR10SR30K254A](#) [A09SR09SR30K305A](#) [A14KR14KR26E254A](#) [A14KR14KR26E254B](#) [A10ZR10ZR28H254A](#)  
[A09ZR09ZR28H305A](#) [A09ZR09ZR28H305B](#) [A13ZR13ZR28H203A](#) [A13KR13KR26E305B](#) [A11ZR11ZR28H254A](#) [A11ZR11ZR28H254B](#)  
[A11SR11SR30K254A](#) [A12SUR12SUR32W254A](#) [A10ZR10ZR28H305B](#) [A12ZR12ZR28H254A](#) [A15KR15KR26E305A](#)  
[A15KR15KR26E305B](#) [A11SR11SR30K305A](#) [A13ZR13ZR28H254A](#) [A12ZR12ZR28H305A](#) [A12ZR12ZR28H305B](#) [A20XAF20XAF22K51B](#)  
[A13ZR13ZR28H305A](#) [A20XAF20XAF22K152B](#) [A20XAF20XAF22K203B](#) [A20XAF20XAF22K254B](#) [A20XAF20XAF22K305B](#)  
[A16XSR16XSR36R254B](#) [A02SR02SR30K203B](#) [A06KR06KR26E102A](#) [A02ZR02ZR28H203B](#) [A03SUR03SUR32W102A](#)  
[A04ZR04ZR28H102A](#) [A04ZR04ZR28H102B](#) [A03SR03SR30K203B](#) [A02ZR02ZR28H254B](#) [A04SR04SR30K102B](#)  
[A02SUR02SUR32W254A](#)