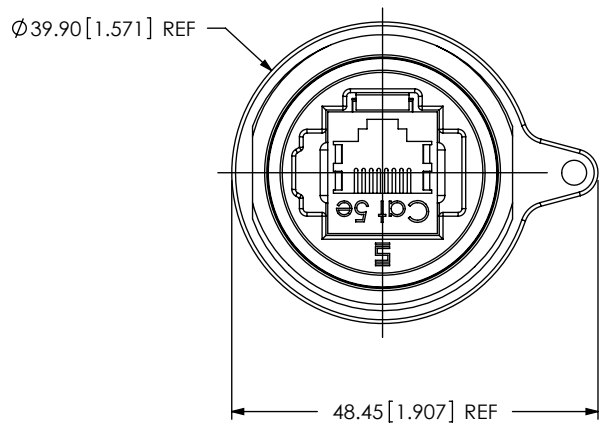
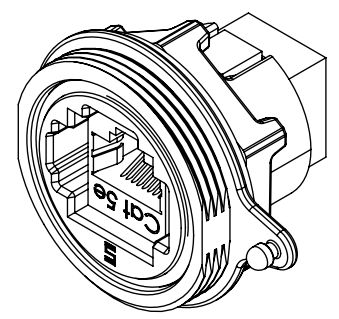
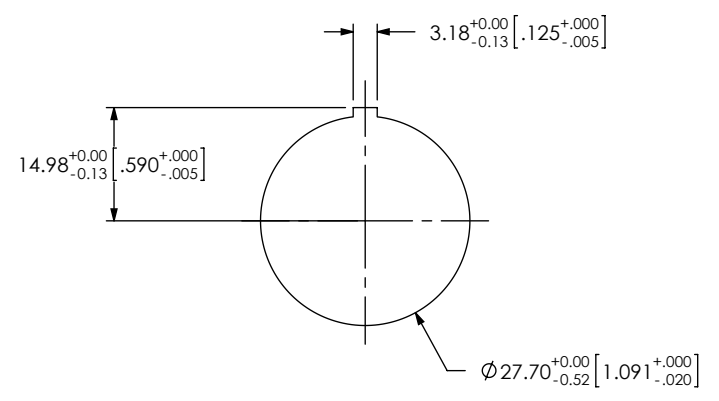



DO NOT
SCALE FROM
THIS PRINT



RECOMMENDED PANEL HOLE
(SEE NOTE 3)



- NOTES:
- ⑥ REPRESENTS A CRITICAL DIMENSION.
 - ASSEMBLY TO MEET UL 94V-0.
 - PANEL THICKNESS: 0.8 [0.03] - 5.2 [0.205].
 - TORQUE SPECIFICATION FOR NUT ON SCRE-01 IS 12 IN-LB.
 - SCREA MUST BE FULLY INSERTED INTO SUB-SCRE BEFORE MEASURING.
 - PARTS TO BE PACKAGED IN TRAYS.

<p>UNLESS OTHERWISE SPECIFIED, DIMENSIONS ARE IN MILLIMETERS. TOLERANCES ARE:</p> <p>DECIMALS ANGLES</p> <p>.X: ±0.3 [0.1] 2°</p> <p>.XX: ±0.13 [0.05]</p> <p>.XXX: ±0.051 [0.020]</p>	<p>PROPRIETARY NOTE</p> <p>THIS DOCUMENT CONTAINS INFORMATION CONFIDENTIAL AND PROPRIETARY TO SAMTEC, INC. AND SHALL NOT BE REPRODUCED OR TRANSFERRED TO OTHER DOCUMENTS OR DISCLOSED TO OTHERS OR USED FOR ANY PURPOSE OTHER THAN THAT WHICH IT WAS OBTAINED WITHOUT THE EXPRESSED WRITTEN CONSENT OF SAMTEC, INC.</p>	 <p>520 PARK EAST BLVD, NEW ALBANY, IN 47150 PHONE: 812-944-6733 FAX: 812-948-5047 e-Mail: info@SAMTEC.com code: 55322</p>
<p>MATERIAL: OR-17-01: SILICONE PBM-17-02: PA66 SPG-17-01: SILICONE SPN-17-01: PA66 SCREA-H-01-S INSULATOR: PBT SCREA-H-01-S CONTACTS: PHOS BRONZE SCREA-H-01-S SHIELDS: COPPER ALLOY</p> <p>F:\DWG\MISC\MKTG\SCRE-01-MKT.SLDDRW</p>	<p>DO NOT SCALE DRAWING SHEET SCALE: 1:1</p>	<p>DESCRIPTION: ETHERNET PANEL MOUNT ASSEMBLY</p> <p>DWG. NO. SCRE-01</p> <p>BY: CHAD F 12/13/2004 SHEET 1 OF 1</p>

X-ON Electronics

Largest Supplier of Electrical and Electronic Components

Click to view similar products for [Modular Connectors / Ethernet Connectors](#) category:

Click to view products by [Samtec](#) manufacturer:

Other Similar products are found below :

[8949-H88/06BLKA/SN](#) [74441-0010/BKN](#) [MP1010RX-1000](#) [MP44RX-1000](#) [PHJ-4P4C-1-V-4](#) [PHP-6P6C-5](#) [GAX-3-66](#) [GAX-8-62](#) [GDCX-PA-66-50](#) [GDCX-PN-64](#) [GDCX-PN-66](#) [GDCX-PN-66-50](#) [GDLX-A-66](#) [GDLX-N-66](#) [GDLX-S-66](#) [GDLX-S-88K](#) [GDLX-SMT-S-88](#) [GDTX-S-88-50](#) [GDX-PA-1010](#) [GLX-N-1010M-BLK](#) [GLX-S-88M-BLK](#) [GMX-N-1010](#) [GMX-S-1010](#) [GMX-S-66](#) [GMX-SMT4-N-88](#) [GPX-2-64](#) [GSGX-N-2-88](#) [GSGX-N-4-88](#) [GSX-NS2-88-3.05](#) [GSX-NS2-88-3.05-50](#) [GSX-NS-88-3.05-50](#) [PT-108A-8C-UL](#) [PT-J951-8C](#) [PTS-J531-8CS-50UL](#) [1-1775629-2](#) [A-2014-0-4](#) [GWLX-S-88-GR](#) [GWLX-S9-88-YG](#) [DC-1021-8-WH-6](#) [1300530003](#) [1324640-4](#) [RJ11FTVC2G](#) [RJ11FTVC2N](#) [RJFTVX2SA1G](#) [132764-001](#) [1413235](#) [MP88X-1000](#) [MPS88RX-5000](#) [E5288-S000K3-L](#) [E5908-15A242-L](#)