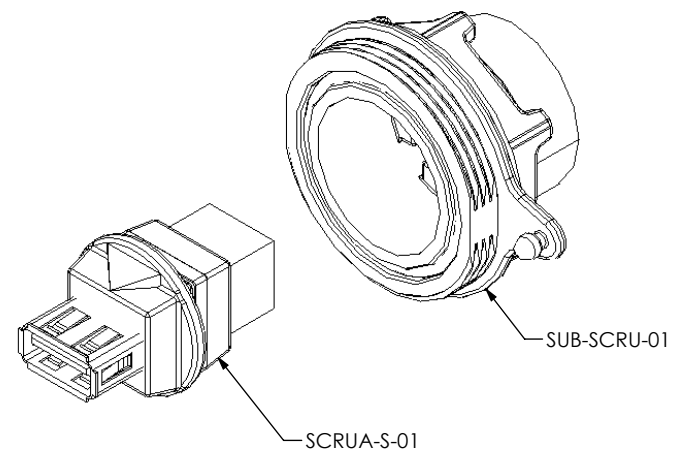
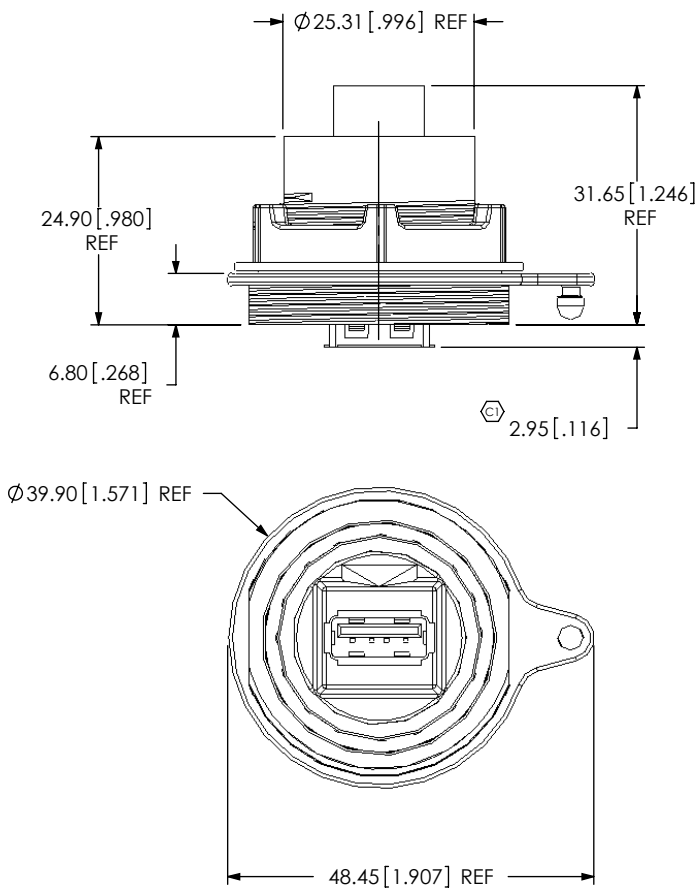


DO NOT SCALE FROM THIS PRINT

DESIGNED & DIMENSIONED IN MILLIMETERS [INCHES]

SCRU-XX

STYLE
 -01: USE SCRUA-S-01 (SEE FIG. 1, SHT 1)
 -02: USE SCRUA-S-02 (SEE FIG. 2, SHT 2)



RECOMMENDED PANEL HOLE FOR -01 & -02 STYLES (SEE NOTE 3)

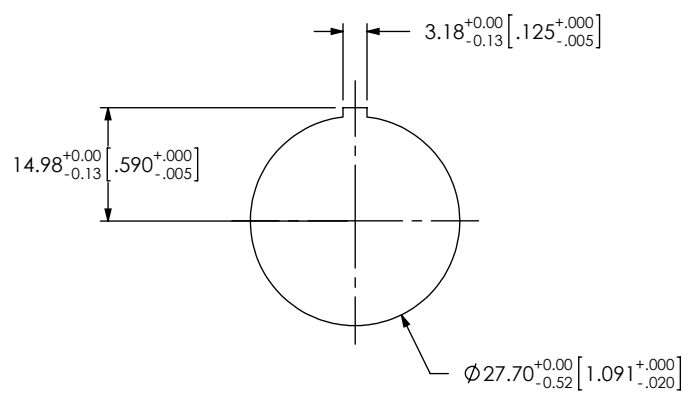
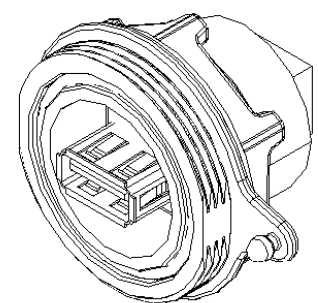



FIG. 1 (SCRU-01 SHOWN)



- NOTES:
1. Ⓢ REPRESENTS A CRITICAL DIMENSION.
 2. ASSEMBLY TO MEET UL 94V-O.
 3. PANEL THICKNESS: 0.8[.03] - 5.2[.205].
 4. PARTS TO BE PACKAGED IN TRAYS.

F:\DWG\MISC\MKTG\SCRU-XX-MKT.SLDRW

<p>UNLESS OTHERWISE SPECIFIED, DIMENSIONS ARE IN MILLIMETERS. TOLERANCES ARE:</p> <p>DECIMALS ANGLES</p> <p>.X: ±0.3 [.01] 2°</p> <p>.XX: ±0.13 [.005]</p> <p>.XXX: ±0.051 [.0020]</p>	<p>PROPRIETARY NOTE</p> <p>THIS DOCUMENT CONTAINS INFORMATION CONFIDENTIAL AND PROPRIETARY TO SAMTEC, INC. AND SHALL NOT BE REPRODUCED OR TRANSFERRED TO OTHER DOCUMENTS OR DISCLOSED TO OTHERS OR USED FOR ANY PURPOSE OTHER THAN THAT WHICH IT WAS OBTAINED WITHOUT THE EXPRESSED WRITTEN CONSENT OF SAMTEC, INC.</p>	 <p>520 PARK EAST BLVD, NEW ALBANY, IN 47150 PHONE: 812-944-6733 FAX: 812-948-5047 e-Mail info@SAMTEC.com code 55322</p>
<p>MATERIAL: OR-17-01: SILICONE DO NOT SCALE DRAWING SHEET SCALE: 1:1 PMB-17-01: PA66 SPG-17-01: SILICONE SPN-17-01: PA66 SCRUA-XX INSULATOR: PBT SCRUA-XX CONTACTS: PHOS BRONZE SCRUA-XX SHIELDS: PHOS BRONZE SCRUA-XX OVERMOLD: PBT</p>		<p>DESCRIPTION: USB PANEL MOUNT ASSEMBLY</p> <p>DWG. NO. SCRU-XX</p> <p>BY: CHAD F 12/13/2004 SHEET 1 OF 2</p>

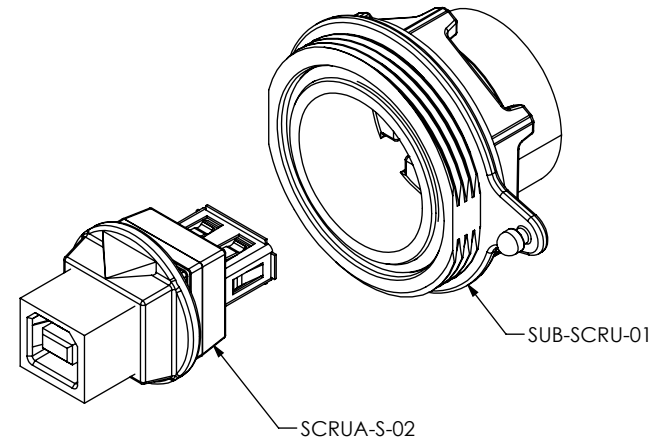
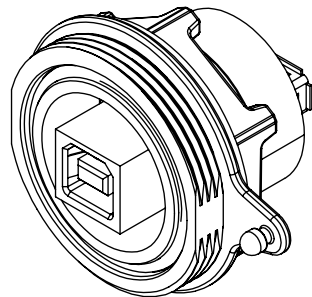
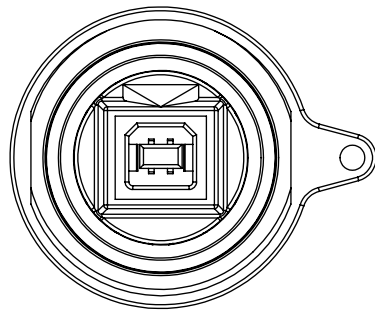
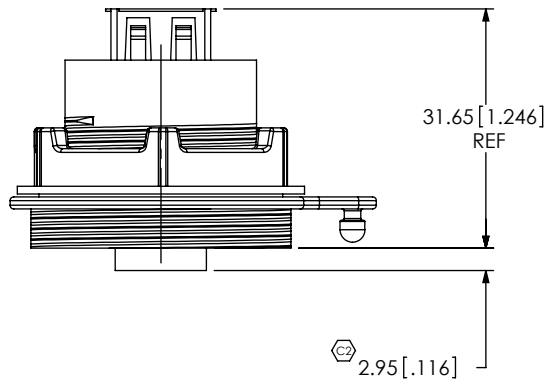



FIG. 2
(SCRU-02 SHOWN)
(SAME AS FIG. 1, UNLESS OTHERWISE STATED)

<p>PROPRIETARY NOTE</p> <p>THIS DOCUMENT CONTAINS INFORMATION CONFIDENTIAL AND PROPRIETARY TO SAMTEC, INC. AND SHALL NOT BE REPRODUCED OR TRANSFERRED TO OTHER DOCUMENTS OR DISCLOSED TO OTHERS OR USED FOR ANY PURPOSE OTHER THAN THAT WHICH IT WAS OBTAINED WITHOUT THE EXPRESSED WRITTEN CONSENT OF SAMTEC, INC.</p> <p>DO NOT SCALE DRAWING</p> <p>SHEET SCALE: 1:1</p>		
	<p>520 PARK EAST BLVD, NEW ALBANY, IN 47150 PHONE: 812-944-6733 FAX: 812-948-5047 e-Mail info@SAMTEC.com code 55322</p>	
	<p>DESCRIPTION: USB PANEL MOUNT ASSEMBLY</p>	
	<p>DWG. NO. SCR-XX</p>	
<p>BY: CHAD F</p>	<p>12/13/2004</p>	<p>SHEET 2 OF 2</p>

X-ON Electronics

Largest Supplier of Electrical and Electronic Components

Click to view similar products for [USB Connectors](#) category:

Click to view products by [Samtec](#) manufacturer:

Other Similar products are found below :

[65-647-8-BK-BU](#) [950](#) [952](#) [E8144-B01021-L](#) [A-USB B-TOP-C](#) [MUSBA511N5](#) [MUSBD11135](#) [217450-1](#) [KMBVX-TH-5S-B30](#) [896-30-004-00-000000](#) [KUSBVX-BS1N-W30](#) [KUSBX-AP-KIT-SCBLK](#) [KUSBX-AS2N-W](#) [KUSBX-SMT2AP1S-W](#) [KUSBX-SMT2AP1S-W30](#) [935](#) [957](#) [30-498-6](#) [SK-60A-2](#) [17-210051](#) [1734082-1](#) [30-1574](#) [30-470](#) [30-489](#) [30-541](#) [30-572-3](#) [A-USB A-2P-C](#) [MIKROE-1451](#) [USBFTV2PEM2G](#) [USBFTVC6ZN](#) [KUSBX-AS2N-W30](#) [KUSBX-SLAS1N-W](#) [KUSBX-SMT-AS1N-W30](#) [4689-1](#) [1-1734084-2](#) [E8110-001-01](#) [33UBARS1-04SW11](#) [33UBAR-04SW11](#) [USBF21ZNSCC](#) [USBBFTV6ZC](#) [10135326-001LF](#) [M9177/3-1](#) [USB-A-S-F-B-VT](#) [925](#) [4198](#) [690-024-633-031](#) [KUSBEX-BSFS1N-W](#) [USBFTVC6MRG](#) [UA-20BMFA-SL8001](#) [17-250101](#)