



HIGH-SPEED HIGH-DENSITY JUMPER

14
Gbps

(1.27 mm) .050" PITCH • SEAC SERIES



SEAC
Mates:
SEAF8

SEAC	NO. OF POSITIONS PER ROW	NO. OF ROWS	CABLE LENGTH	TU	TU	CABLE TYPE	LATCH OPTION
------	--------------------------	-------------	--------------	----	----	------------	--------------

SPECIFICATIONS

Cable:
36 AWG 50 Ω coax, or
32 AWG 100 Ω twinax
Signal Routing:
50 Ω Single-Ended, or
100 Ω Differential Pair
Plating:
Au over 50 μ" (1.27 μm) Ni
Operating Temp Range:
-40 °C to +125 °C (coax)
-25 °C to +105 °C (twinax)



-020
(-04, -06, -08 & -10 row only)

-030
(-04, -06 & -08 row only)

-040
(-04 & -06 row only)

-050
(-04 row only)

**-04,
-06,
-08,
-10**

-"XX.X"
= Cable Length in Inches (101.6 mm) 04.0" minimum

Leave Blank for 36 AWG 50 Ω coax

-2
= 32 AWG 100 Ω twinax

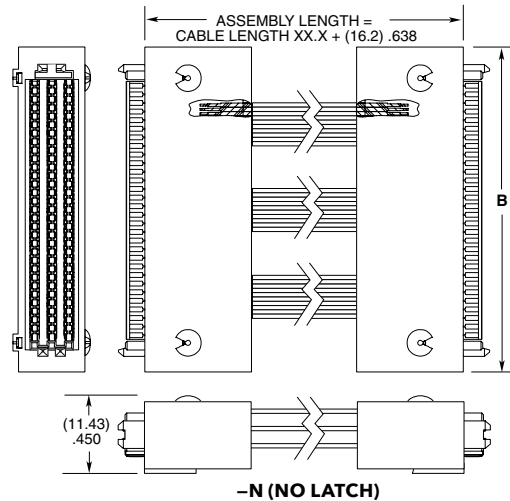
Leave Blank for latch post

-N
= No Latch

SIGNAL ROUTING

Product has some lines dedicated to ground.
For single-ended and differential pair signal/ground assignments see signal routing information on the assembly print at the web address above.
Design your High-Speed Cable with Samtec's High-Speed Cable Solutionator® at www.samtec.com/hdr

POSITIONS PER ROW	A	B	C
-020	(30.38) 1.196	(33.53) 1.320	(48.26) 1.900
-030	(43.08) 1.696	(46.23) 1.820	(60.96) 2.400
-040	(55.78) 2.196	(58.93) 2.320	(73.66) 2.900
-050	(68.48) 2.696	(71.63) 2.820	(86.36) 3.400



OTHER SOLUTIONS

Other end options
Mixed SEAC end types
300 positions or greater

Notes:
Mixed latch styles not available

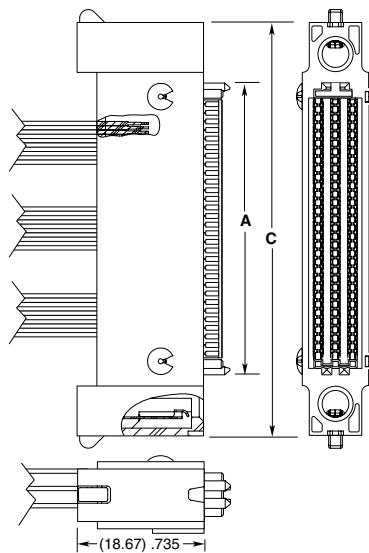
Cable lengths longer than 40.00" (1 meter) are not supported with S.I. test data.

Design your full cable assembly with Samtec's High-Speed Cable Builder at www.samtec.com/cablebuilder

PCIe® 2.0 & 3.0 capable

PCI-SIG®, PCI Express® and the PCIe® design marks are registered trademarks and/or service marks of PCI-SIG.

Some lengths, styles and options are non-standard, non-returnable.

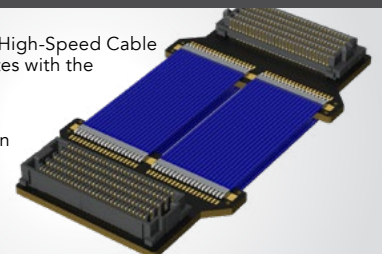


LATCH POST

SEARAY™ .8 mm CABLE ASSEMBLY

(0.80 mm) .0315" Pitch High-Speed Cable in 8 to 10 rows that mates with the SEAM8/SEAF8 Series.

For more information on the ESCA Series, visit samtec.com?ESCA



X-ON Electronics

Largest Supplier of Electrical and Electronic Components

Click to view similar products for [Rectangular Cable Assemblies](#) category:

Click to view products by [Samtec](#) manufacturer:

Other Similar products are found below :

[MC320E-N-23](#) [A08KR08KR26E203B](#) [G125FC10668L0-0300L](#) [G125FC10668L0-0150L](#) [G125-FC11068L0-0150L](#) [G125-FC11068L0-0300L](#)
[A06XAF06XAF22K254B](#) [A10XAF10XAF22K152B](#) [A13KR13KR26E254B](#) [A12SUR12SUR32W203A](#) [A16KR16KR26E203B](#)
[A12KR12KR26E305A](#) [A12KR12KR26E305B](#) [A12ZR12ZR28H203B](#) [A12ZR12ZR28H203A](#) [A10SR10SR30K254A](#) [A09SR09SR30K305A](#)
[A14KR14KR26E254A](#) [A14KR14KR26E254B](#) [A10ZR10ZR28H254A](#) [A09ZR09ZR28H305A](#) [A09ZR09ZR28H305B](#) [A13ZR13ZR28H203A](#)
[A15KR15KR26E254A](#) [A13KR13KR26E305B](#) [A11ZR11ZR28H254A](#) [A11ZR11ZR28H254B](#) [A11SR11SR30K254A](#)
[A12SUR12SUR32W254A](#) [A10ZR10ZR28H305A](#) [A14KR14KR26E305B](#) [A10ZR10ZR28H305B](#) [A12ZR12ZR28H254A](#)
[A15KR15KR26E305A](#) [A15KR15KR26E305B](#) [A11SR11SR30K305A](#) [A11ZR11ZR28H305A](#) [A11ZR11ZR28H305B](#) [A13ZR13ZR28H254A](#)
[A12SUR12SUR32W305A](#) [A12ZR12ZR28H305A](#) [A12ZR12ZR28H305B](#) [A20XAF20XAF22K51B](#) [A13ZR13ZR28H305A](#)
[A20XAF20XAF22K102B](#) [A20XAF20XAF22K152B](#) [A20XAF20XAF22K203B](#) [A20XAF20XAF22K254B](#) [A20XAF20XAF22K305B](#)
[A16XSR16XSR36R254B](#)