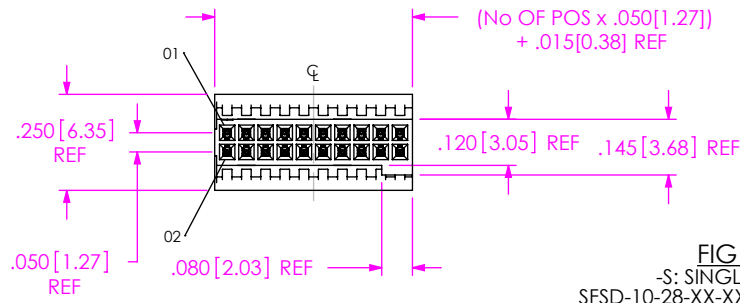


DO NOT SCALE FROM THIS PRINT



FEP CABLE OPTION
-T: FEP (LEAVE BLANK FOR STANDARD PVC INSULATION)

No OF POSITIONS
-02 THRU -50 (PER ROW)

WIRE GAUGE (AWG)
-28, -30

COLOR CODE:

LEAVE BLANK FOR ALL BLACK WIRE
C: COLOR CODED WIRE (SEE TABLE 4, SHT 3) (NOT AVAILABLE WITH FEP OPTION)

PLATING SPECIFICATION

- H: 30μ" HEAVY GOLD IN CONTACT AREA, 3μ" GOLD ON TAIL
- G: 10μ" LIGHT GOLD IN CONTACT AREA, 3μ" GOLD ON TAIL
- F: 3μ" FLASH GOLD IN CONTACT AREA, 3μ" GOLD ON TAIL
- GF: 3μ" FLASH SELECTIVE IN CONTACT AREA, 3μ" GOLD ON TAIL (ONLY AVAILABLE TO EXISTING CUSTOMERS; SEE -F PLATING) (SEE TABLE 3, SHEET 1)

ASSEMBLED LENGTH

SPECIFY IN INCHES
(SINGLE END: 03.00 INCH [76.2mm] MINIMUM)
(DOUBLE END: 03.25 INCH [82.6mm] MINIMUM)

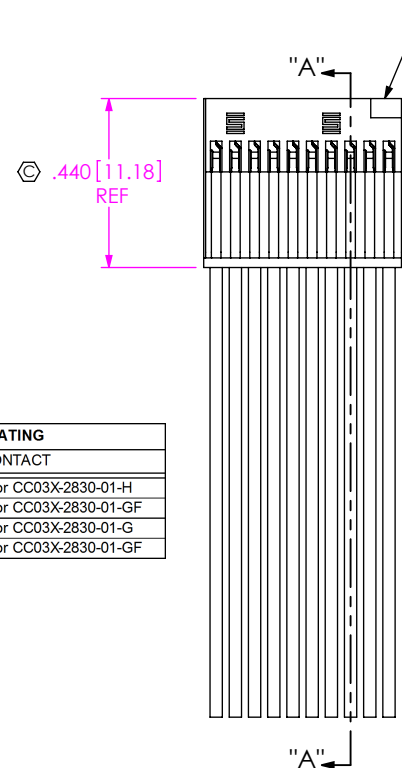
- NXX OPTION (END 2)
(ONLY AVAILABLE WITH -D, -DL, -DR & -DS)
-NUS: NOTCH UP, STRAIGHT (PIN 1 TO PIN N-1)
-NDS: NOTCH DOWN, STRAIGHT (PIN 1 TO PIN 2)
-NUX: NOTCH UP, CROSSED (PIN 1 TO PIN N)
-NDX: NOTCH DOWN, CROSSED (PIN 1 TO PIN 1)

END OPTION
(END OPTION COMBINATIONS NOT AVAILABLE)

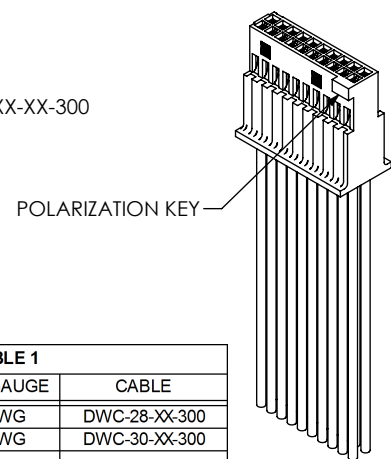
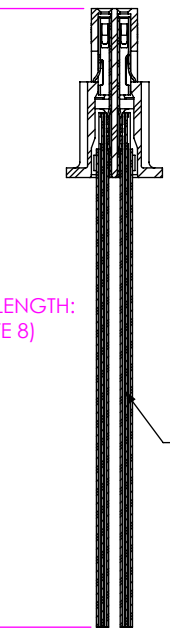
- S: SINGLE END
- D: DOUBLE END (MUST CHOOSE FROM -NXX OPTIONS)
- SL: SINGLE ENDED WITH FRICTION LOCK (SEE SHEET 2, FIG 3) (ONLY AVAILABLE ON *5,*7, 10 THRU 50 POSITION)
- DL: DOUBLE ENDED WITH FRICTION LOCK (SEE SHEET 2, FIG 4) (ONLY AVAILABLE ON *5,*7, 10 THRU 50 POSITION) (MUST CHOOSE FROM -NXX OPTIONS)
- SR: SINGLE ENDED WITH RETENTION LATCH (SEE SHEET 3, FIG 5)
- DR: DOUBLE ENDED WITH RETENTION LATCH (SEE SHEET 3, FIG 6) (ONLY AVAILABLE ON -02 THRU -50 POS) (MUST CHOOSE FROM -NXX OPTIONS)
- SS: DUAL SCREW DOWN, SINGLE ENDED CABLE (SEE SHT 4, FIG 7) (SEE NOTE 15) (NOT AVAILABLE WITH OPTIONS SL, DL, SR & DR USES ISDF-XX-D-DS, CPS-RR-XX-XX-X & ACCRT-01)
- DS: DUAL SCREW DOWN, DOUBLE ENDED CABLE (SEE SHT 4, FIG 8) (SEE NOTE 15) (NOT AVAILABLE WITH OPTIONS SL, DL, SR & DR USES ISDF-XX-D-DS, CPS-RR-XX-XX-X & ACCRT-01, MUST CHOOSE FROM NXXX OPTIONS)

TABLE 3: PLATING

| PLATING | CONTACT |
|---------|-----------------------------------|
| -H | C-203-2830-H or CC03X-2830-01-H |
| -GF | C-203-2830-GF or CC03X-2830-01-GF |
| -G | C-203-2830-G or CC03X-2830-01-G |
| -F | C-203-2830-GF or CC03X-2830-01-GF |



ASSEMBLED LENGTH: (SEE NOTE 8)



(* = NOT AVAILABLE WITH POLARIZATION KEY)

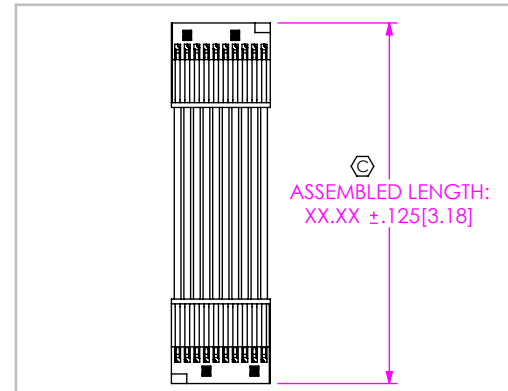


FIG 2
-D: DOUBLE END
SFSD-10-28-XX-XX-XX-D-NUS SHOWN (SAME AS FIG 1, UNLESS OTHERWISE STATED)

NOTES:

1. Ⓢ REPRESENTS A CRITICAL DIMENSION.
2. MINIMUM PULLOUT FORCE: 3.0 LBS [13.3 N].
3. CONTACT MUST BE INSERTED UNTIL RETENTION FEATURE LOCKS INTO PLACE.
4. ALL FINISHED GOODS ARE TO BE ELECTRICAL TESTED INCLUDING HI-POT TEST AT 1000 VOLTS DC. AFTER FINAL ELECTRICAL TEST, LABEL EACH ASSEMBLY WITH 1 LABEL-ET STAMP ON THE BODY.
5. TINNED COPPER WIRE IS ROHS COMPLIANT.
6. PARTS TO BE INDIVIDUALLY PACKAGED IN A ASBBLTXXXX BUBBLE BAG.
7. NOTE DELETED.
8. FOR LENGTHS LESS THAN 12 in, TOLERANCE SHALL BE +/- .125. FOR OTHER LENGTHS, TOLERANCE SHALL BE +/- 2%.
9. NOTE DELETED.
10. REFER TO CRIMP SPECIFICATIONS PRINT FOR CRIMP AND STRIP DIMENSIONS, TOLERANCES, TOOLING AND ITS REQUIREMENTS.
11. 3LB MIN WIRE CRIMP STRENGTH FOR -30 AWG AND 4.5LB MIN WIRE CRIMP STRENGTH FOR -28 AWG.
12. NOTE DELETED.
13. -TC TEFLON USE FOR DOUBLE ENDED ASSEMBLIES ONLY. ALL SINGLE ENDED ASSEMBLIES USE SILVER PLATED DWCT-XX-01.
14. CUT LENGTH IS ASSEMBLY LENGTH MINUS OVERALL LENGTH SUBTRACTOR.
15. THE PRODUCTS WITH OPTION -DS AND -SS SHOULD BE PACKAGED IN BUBBLE BAGS.

TABLE 1

| SERIES | WIRE GAUGE | CABLE |
|---------------------|------------|---------------|
| SFSD | 28 AWG | DWC-28-XX-300 |
| SFSD | 30 AWG | DWC-30-XX-300 |
| SFSDT (SEE NOTE 13) | 28 AWG | DWCT-28-XX-TC |
| SFSDT (SEE NOTE 13) | 30 AWG | DWCT-30-XX-TC |

UNLESS OTHERWISE SPECIFIED, DIMENSIONS ARE IN INCHES.
TOLERANCES ARE:
DECIMALS ANGLES
.XX: ±.01 [.3] 2°
.XXX: ±.005 [.13]
.XXXX: ±.0020 [.051]

PROPRIETARY NOTE
THIS DOCUMENT CONTAINS CONFIDENTIAL AND PROPRIETARY INFORMATION AND ALL DESIGN, MANUFACTURING, REPRODUCTION, USE, PATENT RIGHTS AND SALES RIGHTS ARE EXPRESSLY RESERVED BY SAMTEC, INC. THIS DOCUMENT SHALL NOT BE DISCLOSED, IN WHOLE OR PART, TO ANY UNAUTHORIZED PERSON OR ENTITY NOR REPRODUCED, TRANSFERRED OR INCORPORATED IN ANY OTHER PROJECT IN ANY MANNER WITHOUT THE EXPRESS WRITTEN CONSENT OF SAMTEC, INC.

MATERIAL: DO NOT SCALE DRAWING SHEET SCALE: 2:1
INSULATOR: LCP UL 94V-0, COLOR: BLACK
CONTACT: BeCu
CABLE INSULATION: TPCV OR FEP
WIRE: DWC: TINNED COPPER.

520 PARK EAST BLVD, NEW ALBANY, IN 47150
PHONE: 812-944-6733 FAX: 812-948-5047
e-Mail: info@SAMTEC.com code 55322

DESCRIPTION:
.050 [1.27] SOCKET DISCRETE CABLE ASSEMBLY
DWG. NO.
SFSDX-XX-XXX-XX-XX.XX-XX-XXX
BY: BRATCHER 5/5/2005 SHEET 1 OF 5

REVISION AX

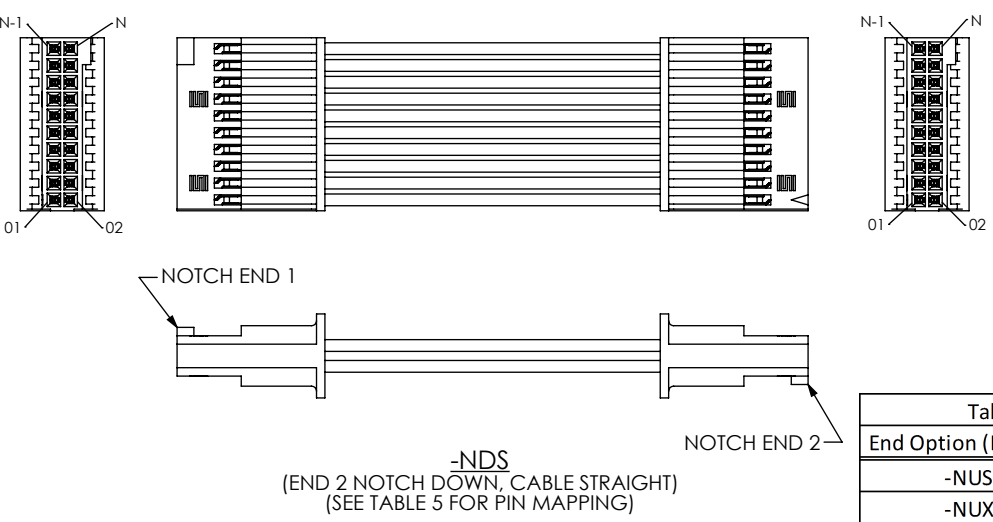
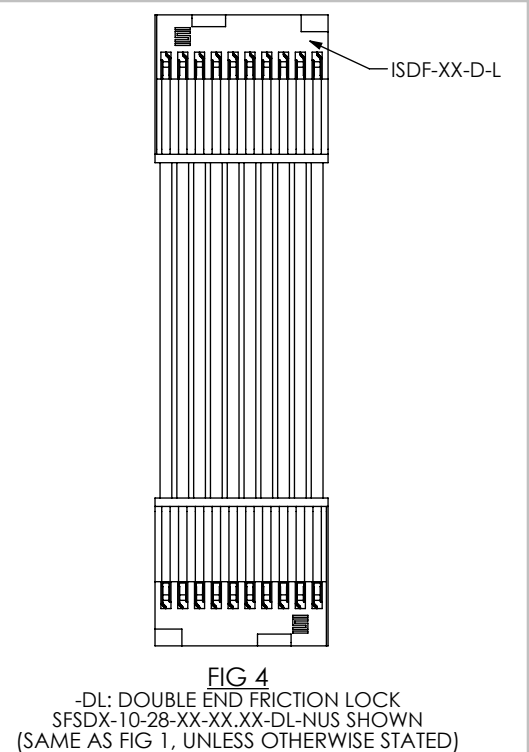
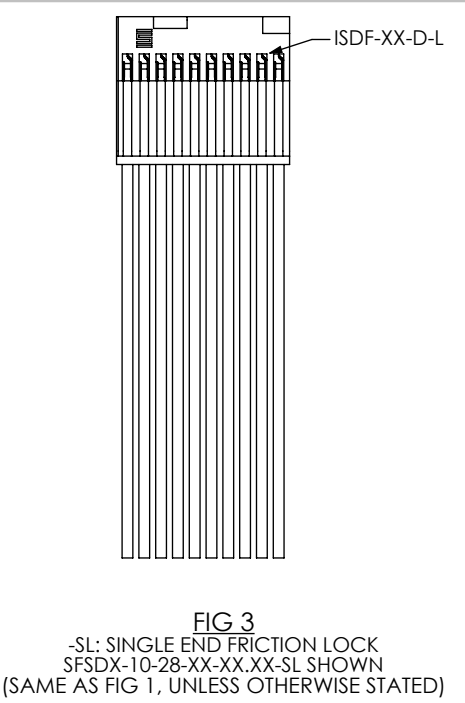
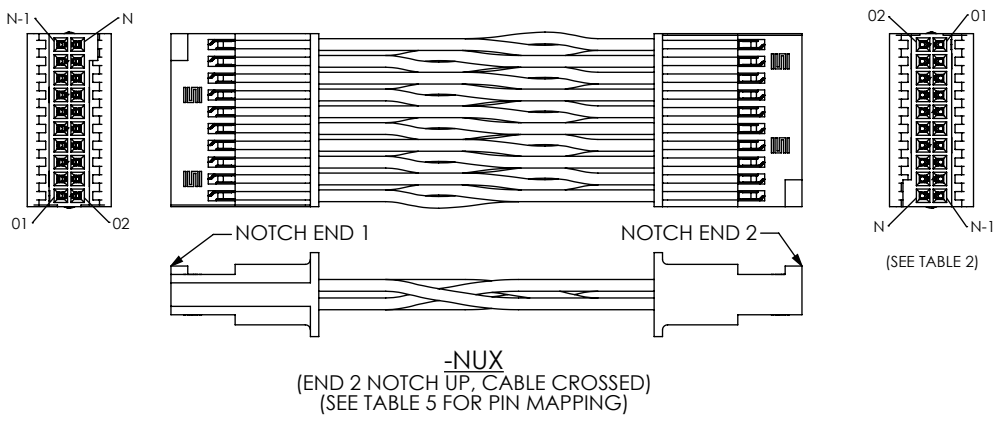
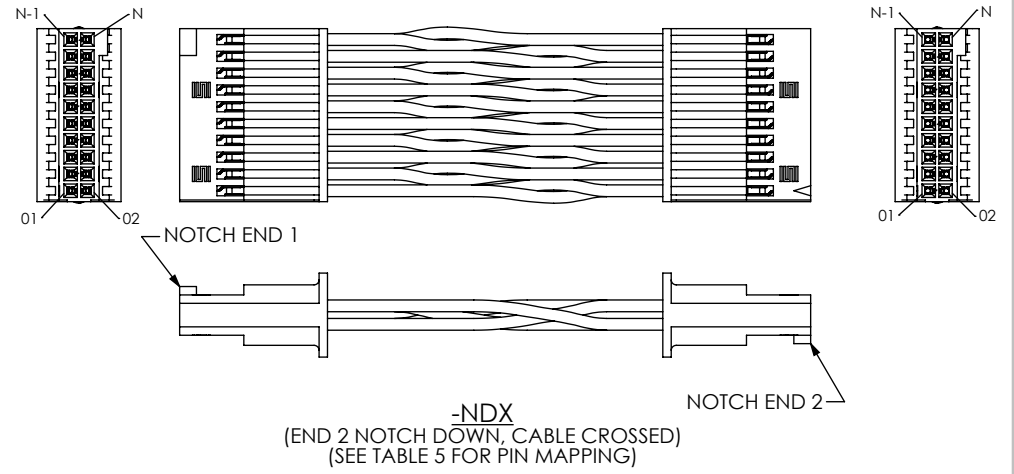
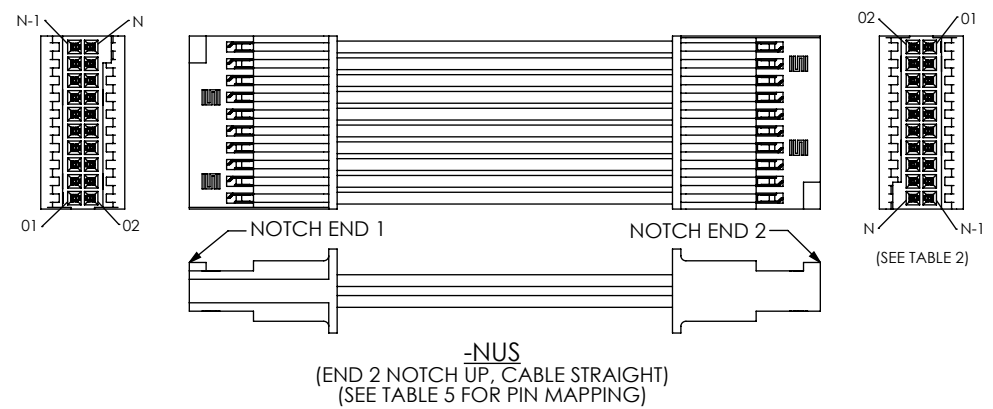


Table 5- Pin Mapping

| End Option (Double) | END 1 | END 2 |
|---------------------|-------|-------|
| -NUS | 01 | N-1 |
| -NUX | 01 | N |
| NDS | 01 | 2 |
| -NDX | 01 | 1 |

PROPRIETARY NOTE
THIS DOCUMENT CONTAINS CONFIDENTIAL AND PROPRIETARY INFORMATION AND ALL DESIGN, MANUFACTURING, REPRODUCTION, USE, PATENT RIGHTS AND SALES RIGHTS ARE EXPRESSLY RESERVED BY SAMTEC, INC. THIS DOCUMENT SHALL NOT BE DISCLOSED, IN WHOLE OR PART, TO ANY UNAUTHORIZED PERSON OR ENTITY NOR REPRODUCED, TRANSFERRED OR INCORPORATED IN ANY OTHER PROJECT IN ANY MANNER WITHOUT THE EXPRESS WRITTEN CONSENT OF SAMTEC, INC.

DO NOT SCALE DRAWING
SHEET SCALE: 1:0.571429

520 PARK EAST BLVD, NEW ALBANY, IN 47150
PHONE: 812-944-6733 FAX: 812-948-5047
e-Mail info@SAMTEC.com code 55322

DESCRIPTION:
.050[1.27] SOCKET DISCRETE CABLE ASSEMBLY

DWG. NO.
SFSDX-XX-XXX-XX-XX.XX-XX-XXX

BY: BRATCHER 5/5/2005 SHEET 2 OF 5

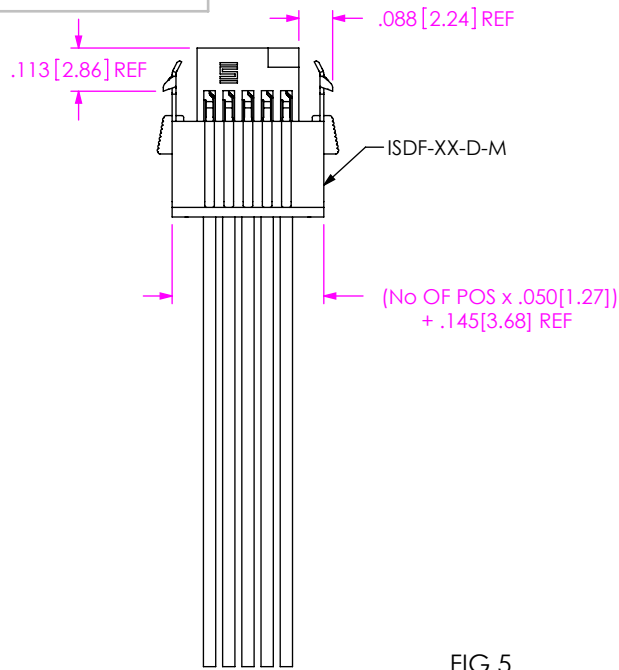


FIG 5
 -SR: SINGLE END WITH RETENTION LATCH
 SFSDX-05-28-XX-XX.XX-SR SHOWN
 (ONLY AVAILABLE ON -02 THRU -50 POS)
 (SAME AS FIG 1, UNLESS OTHERWISE STATED)

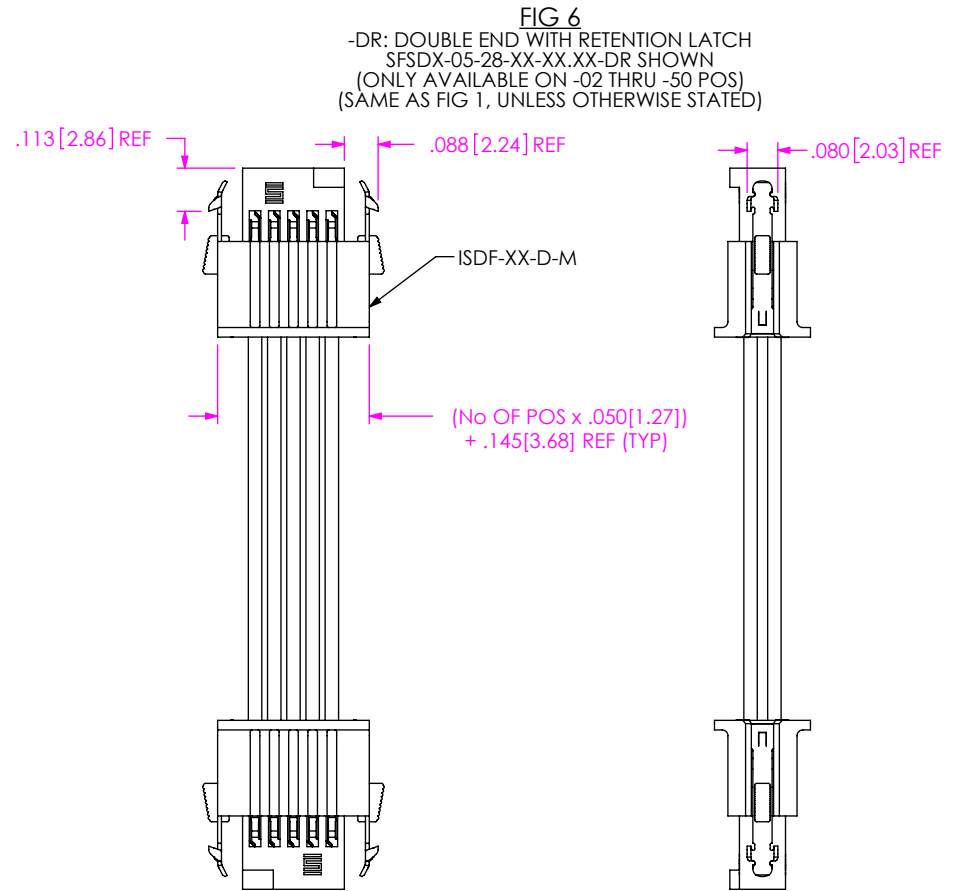
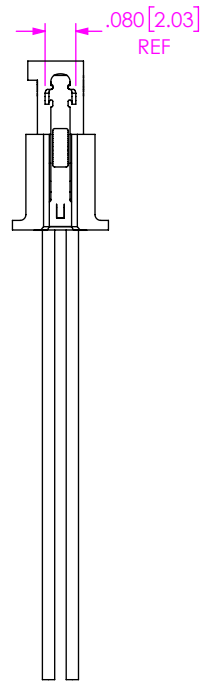


FIG 6
 -DR: DOUBLE END WITH RETENTION LATCH
 SFSDX-05-28-XX-XX.XX-DR SHOWN
 (ONLY AVAILABLE ON -02 THRU -50 POS)
 (SAME AS FIG 1, UNLESS OTHERWISE STATED)

TABLE 4

SFSD color coded wire sequence

| | COLOR | | | | | | | | | |
|-------|---------------|---------------|---------------|---------------|---------------|---------------|---------------|---------------|---------------|---------------|
| | brown | red | orange | yellow | green | violet | gray | white | black | blue |
| | DWC-XX-01-300 | DWC-XX-02-300 | DWC-XX-03-300 | DWC-XX-04-300 | DWC-XX-05-300 | DWC-XX-07-300 | DWC-XX-08-300 | DWC-XX-09-300 | DWC-XX-10-300 | DWC-XX-13-300 |
| pin # | 1 | 2 | 3 | 4 | 5 | 6 | 7 | 8 | 9 | 10 |
| | 11 | 12 | 13 | 14 | 15 | 16 | 17 | 18 | 19 | 20 |
| | 21 | 22 | 23 | 24 | 25 | 26 | 27 | 28 | 29 | 30 |
| | 31 | 32 | 33 | 34 | 35 | 36 | 37 | 38 | 39 | 40 |
| | 41 | 42 | 43 | 44 | 45 | 46 | 47 | 48 | 49 | 50 |
| | 51 | 52 | 53 | 54 | 55 | 56 | 57 | 58 | 59 | 60 |
| | 61 | 62 | 63 | 64 | 65 | 66 | 67 | 68 | 69 | 70 |
| | 71 | 72 | 73 | 74 | 75 | 76 | 77 | 78 | 79 | 80 |
| | 81 | 82 | 83 | 84 | 85 | 86 | 87 | 88 | 89 | 90 |
| | 91 | 92 | 93 | 94 | 95 | 96 | 97 | 98 | 99 | 100 |

PROPRIETARY NOTE

THIS DOCUMENT CONTAINS CONFIDENTIAL AND PROPRIETARY INFORMATION AND ALL DESIGN, MANUFACTURING, REPRODUCTION, USE, PATENT RIGHTS AND SALES RIGHTS ARE EXPRESSLY RESERVED BY SAMTEC, INC. THIS DOCUMENT SHALL NOT BE DISCLOSED, IN WHOLE OR PART, TO ANY UNAUTHORIZED PERSON OR ENTITY NOR REPRODUCED, TRANSFERRED OR INCORPORATED IN ANY OTHER PROJECT IN ANY MANNER WITHOUT THE EXPRESS WRITTEN CONSENT OF SAMTEC, INC.

DO NOT SCALE DRAWING

SHEET SCALE: 4:1



520 PARK EAST BLVD, NEW ALBANY, IN 47150
 PHONE: 812-944-6733 FAX: 812-948-5047
 e-Mail info@SAMTEC.com code 55322

DESCRIPTION:
 .050 [1.27] SOCKET DISCRETE CABLE ASSEMBLY

DWG. NO.
SFSDX-XX-XXX-XX-XX.XX-XX-XXX

BY: BRATCHER 5/5/2005 SHEET 3 OF 5

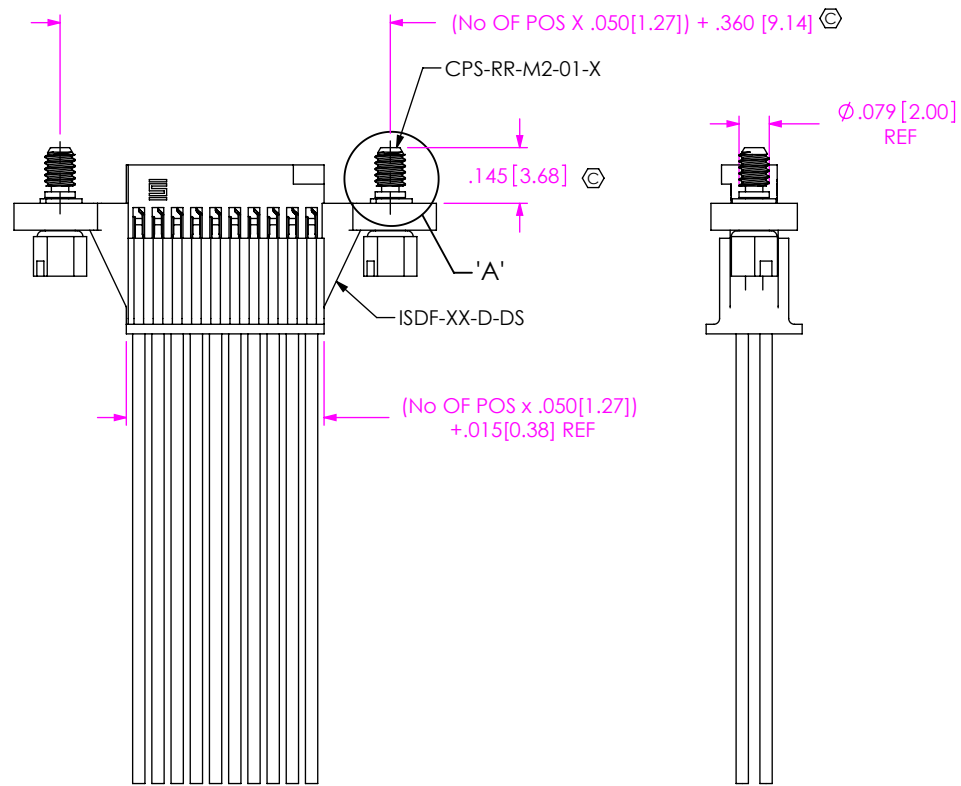


FIG 7
 -SS: SINGLE END WITH SCREW DOWN
 SFSDX-10-XXX-XX-XX.XX-SS SHOWN
 (SAME AS FIG 1, UNLESS OTHERWISE STATED)

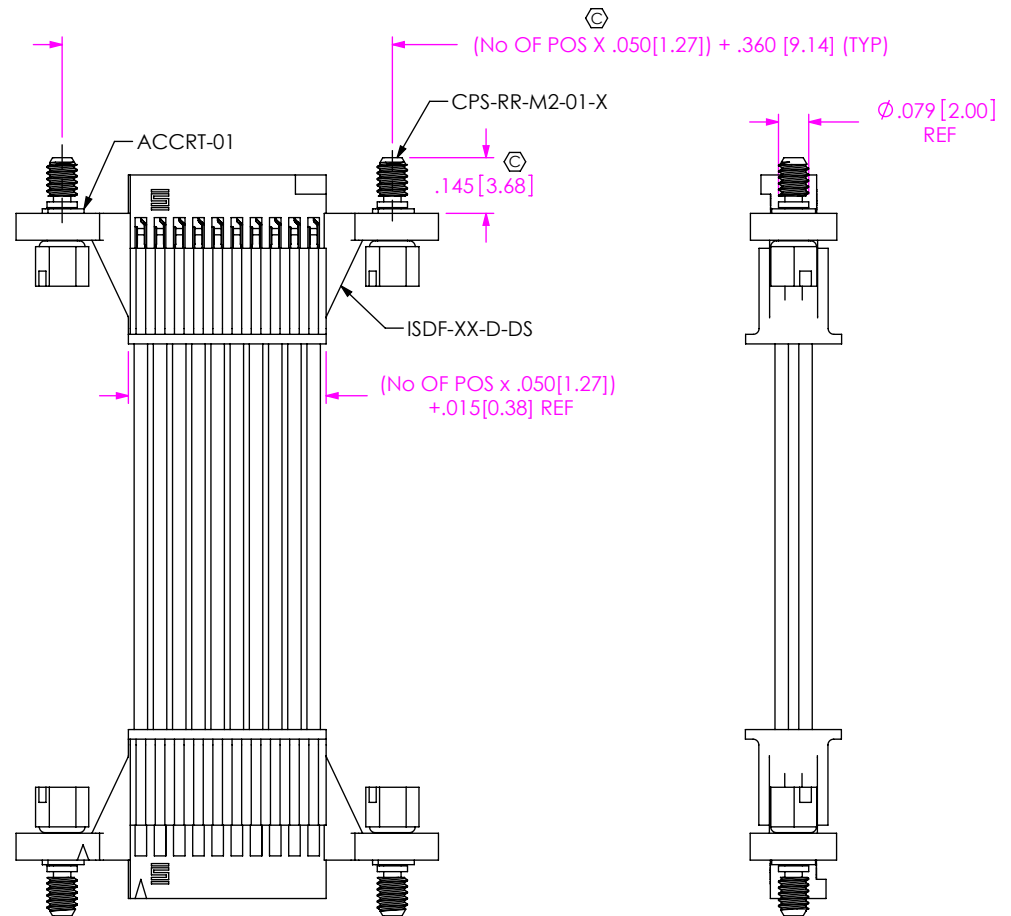
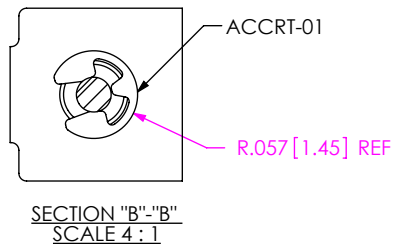
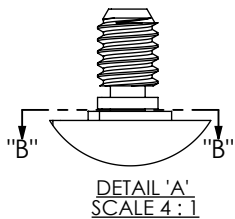


FIG 8
 -DS: DOUBLE END WITH SCREW DOWN
 SFSDX-10-XXX-XX-XX.XX-DS-ND S SHOWN
 MUST CHOOSE FROM -NXXX OPTIONS)
 (SAME AS FIG 1, UNLESS OTHERWISE STATED)

PROPRIETARY NOTE
 THIS DOCUMENT CONTAINS CONFIDENTIAL AND PROPRIETARY INFORMATION AND ALL DESIGN, MANUFACTURING, REPRODUCTION, USE, PATENT RIGHTS AND SALES RIGHTS ARE EXPRESSLY RESERVED BY SAMTEC, INC. THIS DOCUMENT SHALL NOT BE DISCLOSED, IN WHOLE OR PART, TO ANY UNAUTHORIZED PERSON OR ENTITY NOR REPRODUCED, TRANSFERRED OR INCORPORATED IN ANY OTHER PROJECT IN ANY MANNER WITHOUT THE EXPRESS WRITTEN CONSENT OF SAMTEC, INC.

DO NOT SCALE DRAWING

SHEET SCALE: 2:1



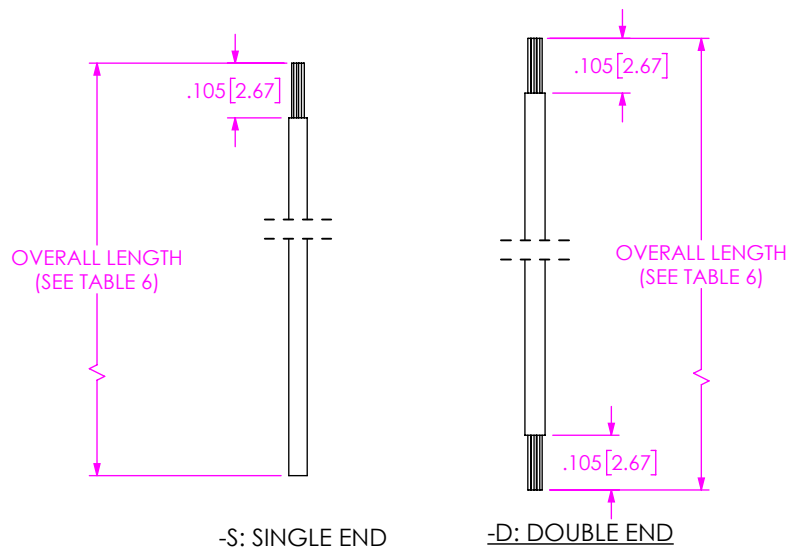
520 PARK EAST BLVD, NEW ALBANY, IN 47150
 PHONE: 812-944-6733 FAX: 812-948-5047
 e-Mail info@SAMTEC.com code 55322

DESCRIPTION:
 .050[1.27] SOCKET DISCRETE CABLE ASSEMBLY

DWG. NO. SFSDX-XX-XXX-XX-XX.XX-XX-XXX

BY: BRATCHER 5/5/2005 SHEET 4 OF 5

CABLE CUT IN-PROCESS



| TABLE 6 (OVERALL LENGTH SUBTRACTORS) (SEE NOTE 14) | |
|--|---------------|
| | LENGTH |
| -S: SINGLE END | .249 [6.325] |
| -D: DOUBLE END | .498 [12.649] |

PROPRIETARY NOTE

THIS DOCUMENT CONTAINS CONFIDENTIAL AND PROPRIETARY INFORMATION AND ALL DESIGN, MANUFACTURING, REPRODUCTION, USE, PATENT RIGHTS AND SALES RIGHTS ARE EXPRESSLY RESERVED BY SAMTEC, INC. THIS DOCUMENT SHALL NOT BE DISCLOSED, IN WHOLE OR PART, TO ANY UNAUTHORIZED PERSON OR ENTITY NOR REPRODUCED, TRANSFERRED OR INCORPORATED IN ANY OTHER PROJECT IN ANY MANNER WITHOUT THE EXPRESS WRITTEN CONSENT OF SAMTEC, INC.



520 PARK EAST BLVD, NEW ALBANY, IN 47150
 PHONE: 812-944-6733 FAX: 812-948-5047
 e-Mail info@SAMTEC.com code 55322

SHEET SCALE: 2:1

DESCRIPTION:
 .050[1.27] SOCKET DISCRETE CABLE ASSEMBLY

DWG. NO.
 SFSDX-XX-XXX-XX-XX.XX-XX-XXX

BY: BRATCHER 5/5/2005 SHEET 5 OF 5

X-ON Electronics

Largest Supplier of Electrical and Electronic Components

Click to view similar products for [Rectangular Cable Assemblies](#) category:

Click to view products by [Samtec](#) manufacturer:

Other Similar products are found below :

[MC320E-N-23](#) [A08KR08KR26E203B](#) [G125FC10668L0-0300L](#) [G125FC10668L0-0150L](#) [G125-FC11068L0-0150L](#) [G125-FC11068L0-0300L](#)
[A06XAF06XAF22K254B](#) [A10XAF10XAF22K152B](#) [A13KR13KR26E254B](#) [A12SUR12SUR32W203A](#) [A16KR16KR26E203B](#)
[A12KR12KR26E305A](#) [A12KR12KR26E305B](#) [A12ZR12ZR28H203B](#) [A12ZR12ZR28H203A](#) [A10SR10SR30K254A](#) [A09SR09SR30K305A](#)
[A14KR14KR26E254A](#) [A14KR14KR26E254B](#) [A10ZR10ZR28H254A](#) [A09ZR09ZR28H305A](#) [A09ZR09ZR28H305B](#) [A13ZR13ZR28H203A](#)
[A15KR15KR26E254A](#) [A13KR13KR26E305B](#) [A11ZR11ZR28H254A](#) [A11ZR11ZR28H254B](#) [A11SR11SR30K254A](#)
[A12SUR12SUR32W254A](#) [A10ZR10ZR28H305B](#) [A12ZR12ZR28H254A](#) [A15KR15KR26E305A](#) [A15KR15KR26E305B](#)
[A11SR11SR30K305A](#) [A11ZR11ZR28H305A](#) [A11ZR11ZR28H305B](#) [A13ZR13ZR28H254A](#) [A12SUR12SUR32W305A](#)
[A12ZR12ZR28H305A](#) [A12ZR12ZR28H305B](#) [A20XAF20XAF22K51B](#) [A13ZR13ZR28H305A](#) [A20XAF20XAF22K102B](#)
[A20XAF20XAF22K152B](#) [A20XAF20XAF22K203B](#) [A20XAF20XAF22K254B](#) [A20XAF20XAF22K305B](#) [A16XSR16XSR36R254B](#)
[A03ZR03ZR28H51B](#) [A03SR03SR30K51B](#)