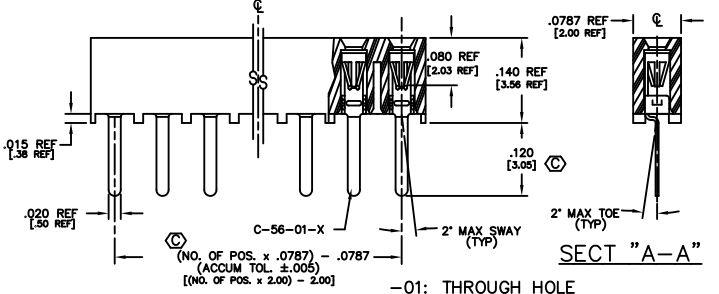
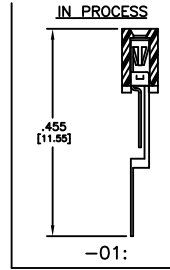
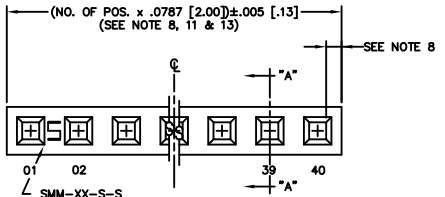
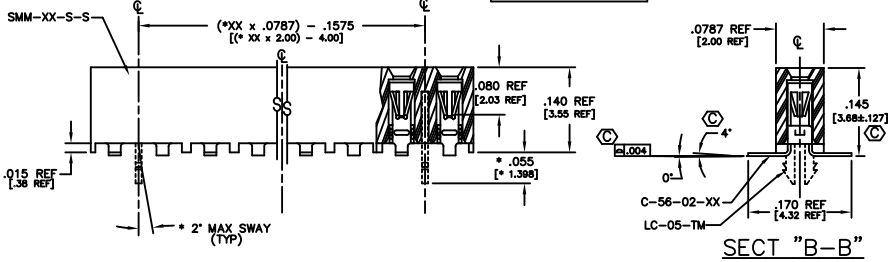
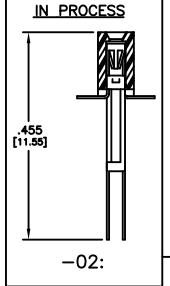
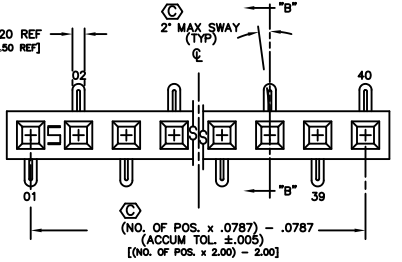


REVISION BJ

DO NOT SCALE FROM THIS PRINT

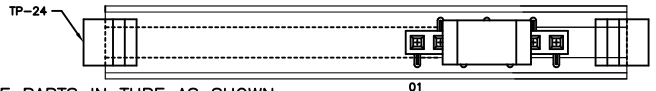
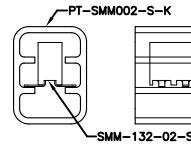


* PINS INTERLEAVED AND ORIENTED SAME DIRECTION FOR -01 ONLY

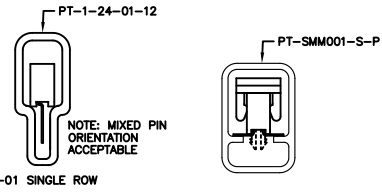


-02: SURFACE MOUNT

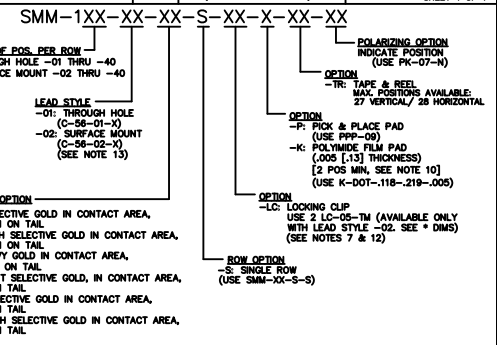
- NOTES:
- RETENTION FORCE IN BODY TO BE: 1 lbs. MIN
 - INSERTION FORCE TO BE: 3.0 oz. MAX.
 - WITHDRAWAL FORCE TO BE: 0.4 oz. MIN.
 - Ø REPRESENTS CRITICAL DIMS. FOR STATISTICAL PROCESS CONTROL.
 - [] DIMS ARE IN METRIC AND ARE NOT CONTROLLING DIMS.
 - SMM-105-01-X THRU SMM-140-01-X MUST USE PT-1-24-01-12.
 - LC OPTION FOR A 02 POSITION WILL HAVE ONLY ONE LOCKING CLIP (LC-05-T).
 - "END WALLS" AFTER CUTTING SHOULD BE .025±.005.
 - ALL OPTIONS: PACKAGE POSITIONS -04 THRU -40 IN TUBES.
 - LAYER PACKAGE POSITIONS -02 & -03 WITH NO OPTIONS.
 - 02 THRU -05 POSITION WITH -K OR -P TO BE PACKAGED IN -TR ONLY. -06 THRU -40 POSITION AVAILABLE IN TUBE OR -TR PACKAGING.
 - MAX CUT FLASH: .010 [25]
 - DUE TO THE HIGH AMOUNT OF INSERTION FORCE NEEDED, THE -LC OPTION IS NOT COMPATIBLE WITH AUTO PLACEMENT. SAMTEC RECOMMENDS MANUAL PLACEMENT FOR ALL ASSEMBLIES WITH THE -LC OPTION.
 - FOR -02 LEAD STYLE: EVEN CUTS: LOSE 2 POSITIONS PER CUT; ODD CUTS: LOSE 1 POSITION PER CUT.
 - INSULATOR MATERIAL: BLACK, LCP, UL 94 VO
 - MAXIMUM PIN HEIGHT VARIATION: .003 [08] FROM ROW TO ROW AND PIN TO PIN, MUST BE MEASURED BETWEEN ADJACENT PINS.



PACKAGE PARTS IN TUBE AS SHOWN (POSITION PARTS WITH POS. -01 TOWARD ARROW AS SHOWN)



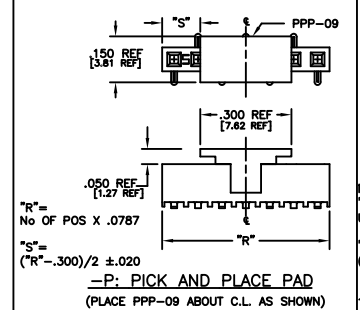
UNLESS OTHERWISE NOTED TOLERANCES ARE: DIMENSIONS ARE IN INCHES. ONE PLACE DECIMALS: ± .1, TWO PLACE DECIMALS: ± .01, THREE PLACE DECIMALS: ± .005, FOUR PLACE DECIMALS: ± .0020. ANGLES: ± 1°. TITLE: 2 mm SOCKET STRIP (SINGLE ROW). DWG NO.: SMM-1XX-XX-XX-S-XX-X-XX-XX. SHEET 1 OF 1.



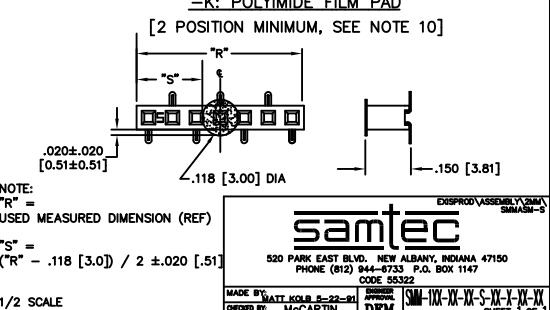
TUBE PACKAGING TABLE

LEAD STYLE	TUBE	PLUG
-01	PT-1-24-01-12	TP-12
-01-P	PT-1-24-02-29	TP-24
-02		
-02-K, -02-LC, -02-LC-K	PT-SMM002-S-K	TP-24-02
-02-P	PT-SMM001-S-P	TP-24

PROPRIETARY NOTE



"R" = No Of POS x .0787
 "S" = ("R" - .300) / 2 ± .020
 -P: PICK AND PLACE PAD (PLACE PPP-09 ABOUT C.L. AS SHOWN)



NOTE: "R" = USED MEASURED DIMENSION (REF)
 "S" = ("R" - .118 [3.0]) / 2 ± .020 [51]
 1/2 SCALE

ANTI-STATIC samtec
 MADE BY: WATT KOLB B-22-81
 DESIGNED BY: MCCARTIN
 samtec
 520 PARK EAST BLVD. NEW ALBANY, INDIANA 47150
 PHONE (812) 944-6733 P.O. BOX 1147
 CODE 55322
 SMM-1XX-XX-XX-S-XX-X-XX-XX
 SHEET 1 OF 1

X-ON Electronics

Largest Supplier of Electrical and Electronic Components

Click to view similar products for [Headers & Wire Housings](#) category:

Click to view products by [Samtec](#) manufacturer:

Other Similar products are found below :

[892-18-020-10-001101](#) [58102-G61-06LF](#) [582553-1](#) [0009485154](#) [009176003701906](#) [0050291907](#) [LY20-4P-DT1-P1E-BR](#) [02.125.8002.8](#)
[609-3404](#) [61062-3](#) [61082-181009](#) [622-3653LF](#) [63453-116](#) [636-1030](#) [636-1427](#) [636-3427](#) [636-4007](#) [641938-9](#) [641991-4](#) [644827-2](#) [65817-](#)
[010LF](#) [65817-015LF](#) [65863-015LF](#) [66207-023LF](#) [67095-007LF](#) [67601157](#) [68645-018](#) [68648-049](#) [70.362.1628.0](#) [70-4210](#) [70-4226B](#) [70-](#)
[4853B](#) [707-5020](#) [707-5028](#) [71.350.2428.0](#) [71918-208LF](#) [71961-016LF](#) [733-134](#) [733-162](#) [754199-000](#) [760-3052](#) [79531-3000](#) [FCN-](#)
[360C032-B](#) [FCN-367T-T012/H](#) [FCN-723D010/2](#) [80.063.4001.1](#) [800-90-010-10-002000](#) [801-43-002-10-013000](#) [801-43-006-10-002000](#)
[801-93-011-10-001000](#)