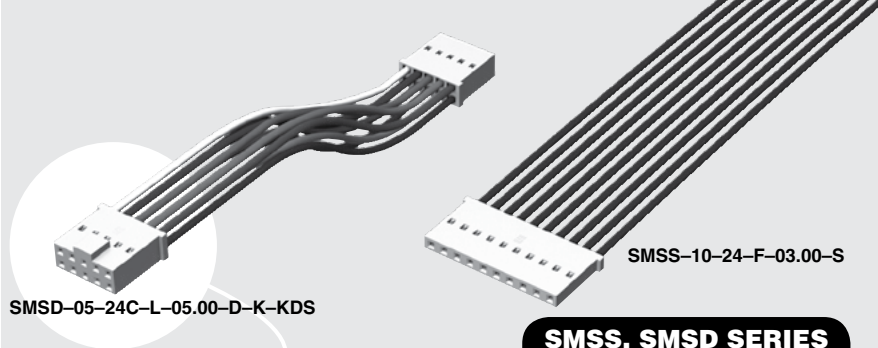




miniMATE®



(2.54 mm) .100"

SMSS, SMSD SERIES

MINI MATE® UNIVERSAL CABLE ASSEMBLY

SPECIFICATIONS

For complete specifications see www.samtec.com?SMSS or www.samtec.com?SMSD

Insulator Material:

Nylon 6/6, White

Contact Material:

Phosphor Bronze

Plating:

Au or Sn over 50 μ" (1.27 μm) Ni

Operating Temp Range:

-10 °C to +105 °C

Current Rating (SMSD-24/HTSS):

4 A per pin (1 pin powered per row)

Voltage Rating:

375 VAC

Insertion Depth:

(5.33 mm) .210" to (6.86 mm) .270"

Wire:

24 or 26 AWG

RoHS Compliant:

Yes

Mates with:

Any .025" (0.64 mm) SQ

.100" x .100"

(2.54 mm) x (2.54 mm)

unshrouded terminal strip,

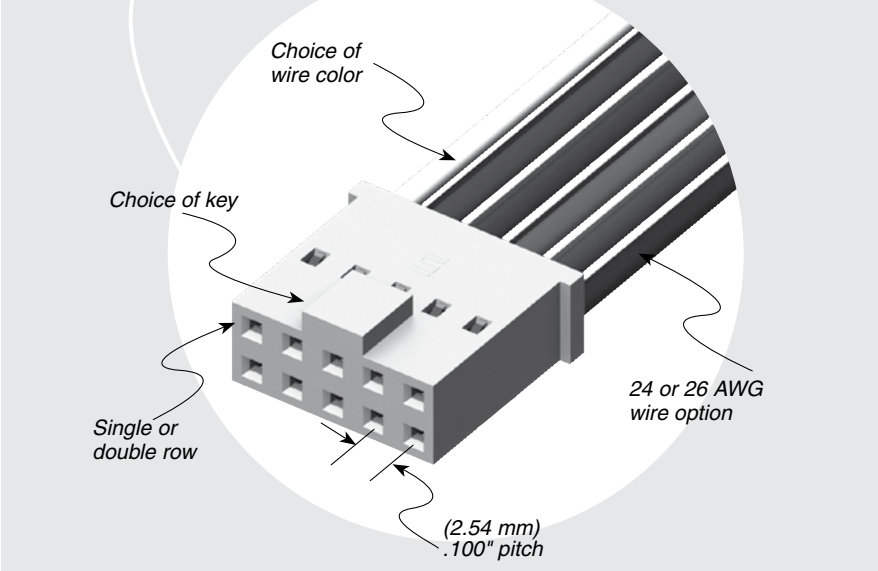
TSW, HTSW, TSM,

MTSW, HMTSW, PHT,

TLW, MTLW, DW, EW,

ZW, HW, TSSH, TSS, TST,

HTSS, HTST, ZSS, ZST



RECOGNITIONS

For complete scope of recognitions see www.samtec.com/quality



APPLICATION

-24C CABLE COLOR CODING	
PIN	COLOR
1	BROWN
2	RED
3	ORANGE
4	YELLOW
5	GREEN
6	BLUE
7	VIOLET
8	GRAY
9	WHITE
10	BLACK
ETC	REPEAT

ALSO AVAILABLE (MOQ Required)

- Other sizes Contact Samtec.

Notes:
For wiring option information refer to drawing on web.

Some lengths, styles and options are non-standard, non-returnable.

TYPE	POSITIONS PER ROW	WIRE GAUGE	PLATING OPTION	ASSEMBLY LENGTH	END OPTION	K	OPTION
SMSS = Single Row	-02, -05, -10, -15, -20 (Standard sizes)	-24 -24C = Color Coded Cable -26	-F = Gold flash on contact, Matte Tin on tail -L = 10 μ" (0.25 μm) Gold on contact, Matte Tin on tail	- "XX.XX" = Assembly Length in Inches (76.20 mm) 03.00" min.	-S = Single End -D = Double End	-K = Key Polarization (Leave blank for no Polarization) (5 positions minimum)	(Must be used on -D end option only & applies to end 2 housing) -KUS = Key up, straight (See print for pin mapping) -KDS = Key down, straight (See print for pin mapping) -KUX = Key up, crossed (See print for pin mapping) -KDX = Key down, crossed (See print for pin mapping)

X-ON Electronics

Largest Supplier of Electrical and Electronic Components

Click to view similar products for [Rectangular Cable Assemblies](#) category:

Click to view products by [Samtec](#) manufacturer:

Other Similar products are found below :

[MC320E-N-23](#) [A08KR08KR26E203B](#) [G125FC10668L0-0300L](#) [G125FC10668L0-0150L](#) [G125-FC11068L0-0150L](#) [G125-FC11068L0-0300L](#)
[A06XAF06XAF22K254B](#) [A16KR16KR26E203B](#) [A12KR12KR26E305A](#) [A12KR12KR26E305B](#) [A12ZR12ZR28H203B](#)
[A12ZR12ZR28H203A](#) [A10SR10SR30K254A](#) [A09SR09SR30K305A](#) [A14KR14KR26E254A](#) [A14KR14KR26E254B](#) [A10ZR10ZR28H254A](#)
[A09ZR09ZR28H305A](#) [A09ZR09ZR28H305B](#) [A13ZR13ZR28H203A](#) [A13KR13KR26E305B](#) [A11ZR11ZR28H254A](#) [A11ZR11ZR28H254B](#)
[A11SR11SR30K254A](#) [A12SUR12SUR32W254A](#) [A10ZR10ZR28H305B](#) [A12ZR12ZR28H254A](#) [A15KR15KR26E305A](#)
[A15KR15KR26E305B](#) [A11SR11SR30K305A](#) [A13ZR13ZR28H254A](#) [A12ZR12ZR28H305A](#) [A12ZR12ZR28H305B](#) [A20XAF20XAF22K51B](#)
[A13ZR13ZR28H305A](#) [A20XAF20XAF22K152B](#) [A20XAF20XAF22K203B](#) [A20XAF20XAF22K254B](#) [A20XAF20XAF22K305B](#)
[A16XSR16XSR36R254B](#) [A02SR02SR30K203B](#) [A06KR06KR26E102A](#) [A02ZR02ZR28H203B](#) [A03SUR03SUR32W102A](#)
[A04ZR04ZR28H102A](#) [A04ZR04ZR28H102B](#) [A03SR03SR30K203B](#) [A02ZR02ZR28H254B](#) [A04SR04SR30K102B](#)
[A02SUR02SUR32W254A](#)