

SO SERIES

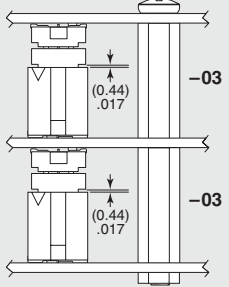
PRECISION BOARD STACKING STANDOFF

SPECIFICATIONS

For complete specifications and recommended PCB layouts see www.samtec.com?SO

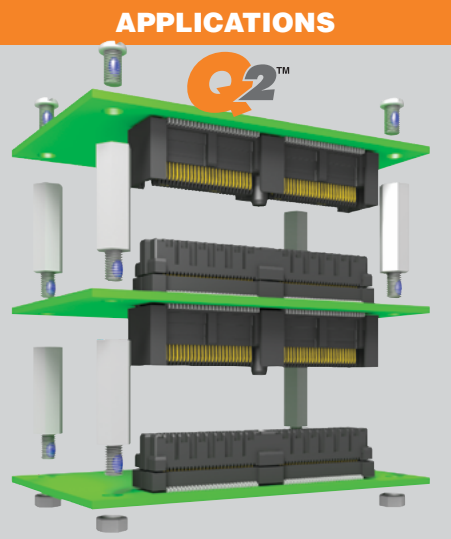
Material:
Aluminum
Locking Compound:
Nylon

APPLICATIONS



See QMS/QFS Series SUMIT™ & PCI/104-Express™ connectors

Requires Standoff SO-1524-03-01-02-L 15.24mm board spacing. Connectors designed to not fully seat when mated.



Ideal for use with all Samtec SI connectors

Precision machined tolerances (± .002" (0.05 mm))

RUGGEDIZED BY SAMTEC

- Precision machined
- Locking compound

Stack heights from 5 mm to 25 mm

#4-40 Thread

Standard Nylon thread locking compound

ALSO AVAILABLE (MOQ Required)

- Other heights
- Stainless Steel
- Locking compound removed
- Other materials and threading
- No Hardware

SO — **BOARD STACKER** — **LEAD STYLE** — **THREAD STYLE** — **01** — **L**

Specify BOARD STACKER from chart

-01 = Female Thread/Press-In (-0515 thru -0865 only)

-02 = Male/Male Thread (-0515 and -1115 thru -2515 only)

-03 = Male/Female Thread (-0815 thru -2515 only)

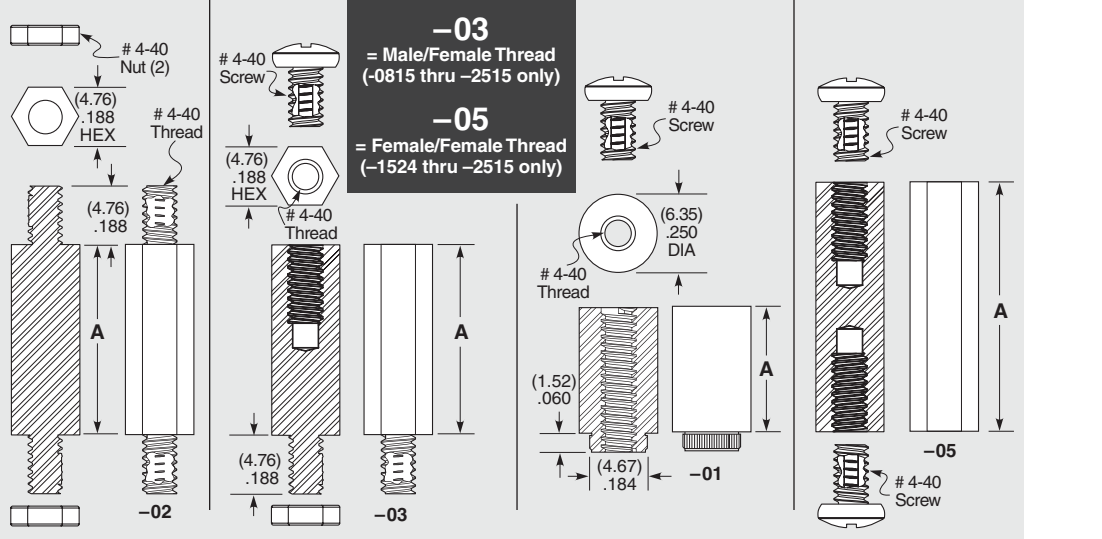
-05 = Female/Female Thread (-1524 thru -2515 only)

-01 = #4-40 Thread

-02 = M3 x 0.5 Thread

-L = -02 & -03 Lead Style thread locking compound (Leave blank for -01 Lead Style)

BOARD STACKER	A	BOARD STACK HEIGHT
-0515	(5.15) .203	5 mm
-0715	(7.15) .282	7 mm
-0815	(8.15) .321	8 mm
-0865	(8.65) .341	8.5 mm
-1115	(11.15) .439	11 mm
-1215	(12.15) .478	12 mm
-1524	(15.24) .600	15.09 mm
-1615	(16.15) .636	16 mm
-1890	(18.90) .744	18.75 mm
-1915	(19.15) .754	19 mm
-2515	(25.15) .990	25 mm



Notes:
Standoffs are designed, 0.15 mm longer than connector stack heights to allow for processing variables.
Some lengths, styles and options are non-standard, non-returnable.

Components are to be packaged in separate bags unassembled.
Due to technical progress, all designs, specifications and components are subject to change without notice.

X-ON Electronics

Largest Supplier of Electrical and Electronic Components

Click to view similar products for [I/O Connectors](#) category:

Click to view products by [Samtec](#) manufacturer:

Other Similar products are found below :

[571763P](#) [58098-0628](#) [61-168618-12P](#) [D38999/20FJ24PA L/C](#) [D38999/20FJ29SB L/C](#) [D38999/24FG11SN L/C](#) [72.250.1628.2](#) [72.250.2428.2](#)
[74720-0505](#) [76.350.0729.0](#) [76871-1403](#) [FCN-244F080-G/1](#) [FCN-260A9920](#) [FCN-268D024-G/2F#10X-R10](#) [PCS-E50FA](#) [PCS-XE26LKA](#)
[PCS-XE26MA+](#) [PCS-XES68MS+](#) [G38A71314B](#) [91-569719-35R](#) [9776-18-6](#) [DX40-50P\(55\)](#) [1571250010](#) [157-22500-3](#) [MS3476W12-10S](#)
[L/C](#) [1888020-8](#) [91-569786-35H](#) [91-569786-35M](#) [91-644626-35P](#) [172501-4002](#) [172501-6002](#) [FCN-260C008-A/L0](#) [FCN-260C024-AL0](#)
[FCN-261Z008](#) [FCN-268D008-G/1K](#) [2000314-1](#) [200331-1](#) [2007498-2](#) [PCR-E28LMDAG1+](#) [PCR-E36FC+](#) [PCS-E28FS+](#) [PCS-XE26SLFD+](#)
[PCS-XE26SLFDT+](#) [G38A71214B](#) [HDRA-E68W1LFDTC-SL+](#) [HDR-E14MSG1+](#) [R88A-CNK81S](#) [CRT1-ATT02](#) [54182-0605](#)
[U90B2054081210](#)