



MUSBS-05-S-B-TH-TR



SPM-05-S-B-VT1-PF

SPM-05-S-B-RA-PF



SPM, MUSBS SERIES

IP68 SEALED MINI USB PORT

Mates with:
USBC

SPECIFICATIONS

For complete specifications and recommended PCB layouts see www.samtec.com?SPM

Insulator Material: Black Liquid Crystal Polymer

Contact Material: Phosphor Bronze

Shield Material: Phosphor Bronze

Plating: 30µ" (0,76µm) Au over 50µ" (1,27µm) Ni, Sn on tail

Operating Temp Range: -55°C to +125°C

Current Rating: 1.9A per contact

Voltage Rating: 190 VAC

Contact Resistance: 15 mΩ max charge from initial

Minimum Cycles: 1000

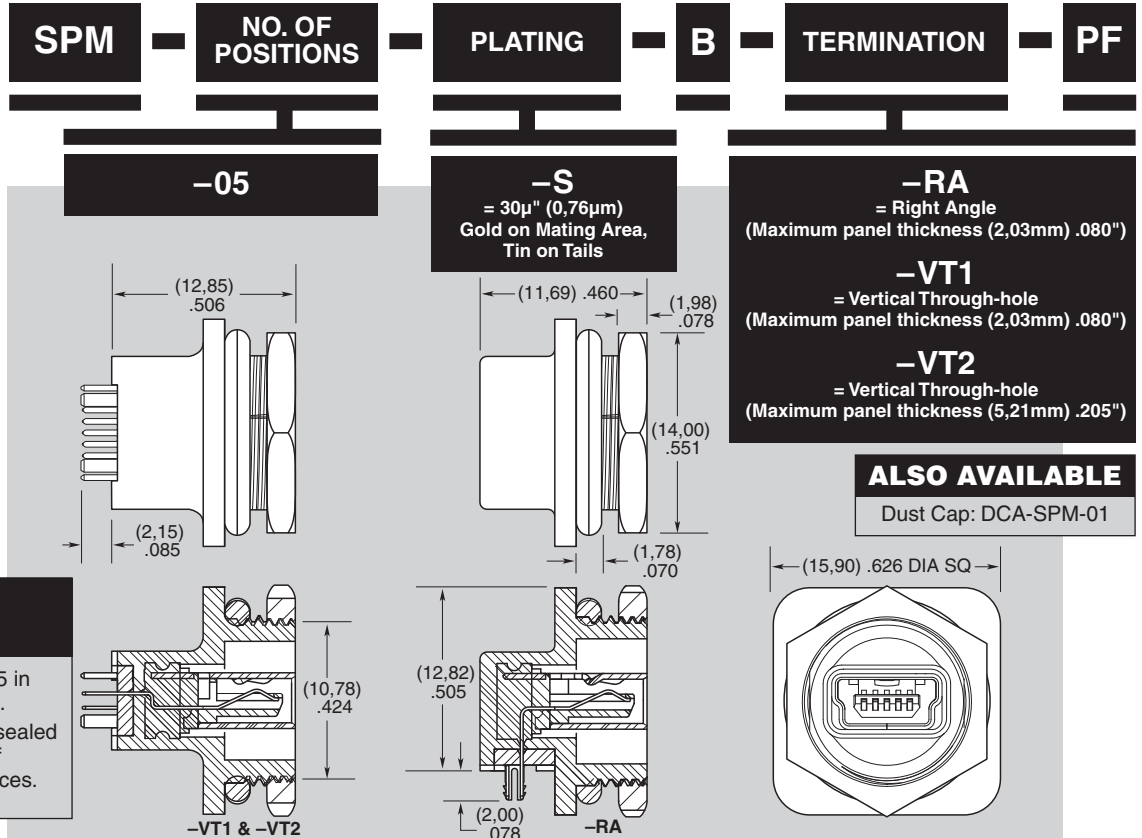
Seal: Silicone

RoHS Compliant: Yes

Lead-Free Solderable: Yes

ALSO AVAILABLE

- Sealed port USB and RJ45 in development. Call Samtec.
- See our AccliMate™ IP68 sealed connectors for a full line of rugged Panel & I/O interfaces.



SPECIFICATIONS

For complete specifications and recommended PCB layouts see www.samtec.com?MUSBS

Insulator Material: Black High Temperature Thermoplastic

Contact Material: Phosphor Bronze

Shell Material: Phosphor Bronze

Plating: Gold on Mating Area, Nickel on Shell, Tin on Tails

Operating Temp Range: -50°C to +85°C

Current Rating: 2A per contact

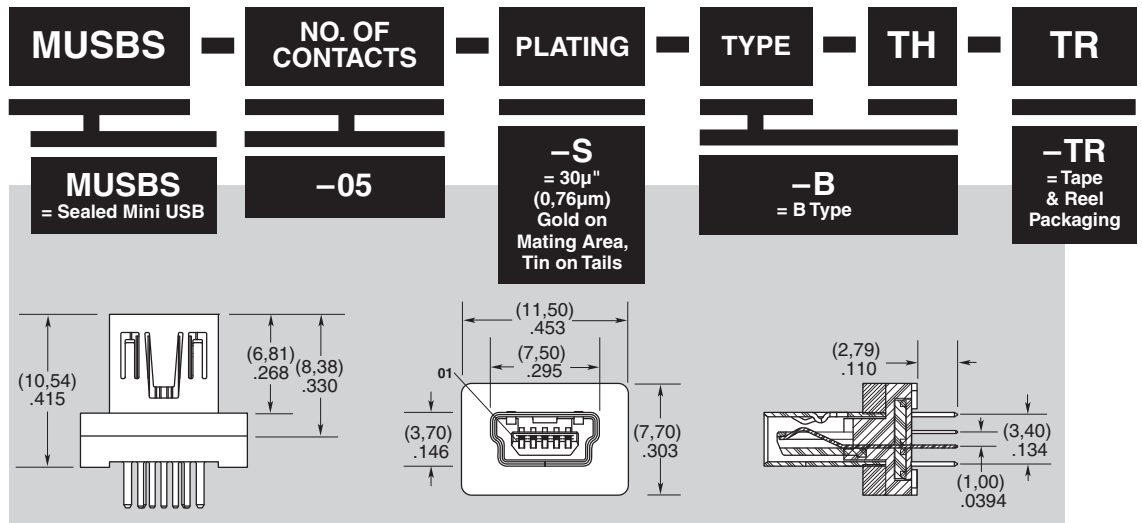
Voltage Rating: 30 VRMS

Contact Resistance: 50 mΩ max

Minimum Cycles: 5000

RoHS Compliant: Yes

Lead-Free Solderable: Yes



Due to technical progress, all designs, specifications and components are subject to change without notice.

WWW.SAMTEC.COM

X-ON Electronics

Largest Supplier of Electrical and Electronic Components

Click to view similar products for [USB Connectors](#) category:

Click to view products by [Samtec](#) manufacturer:

Other Similar products are found below :

[65-647-8-BK-BU](#) [950](#) [952](#) [E8144-B01021-L](#) [A-USB B-TOP-C](#) [MUSBA511N5](#) [MUSBD11135](#) [217450-1](#) [KMBVX-TH-5S-B30](#) [896-30-004-00-000000](#) [KUSBVX-BS1N-W30](#) [KUSBX-AP-KIT-SCBLK](#) [KUSBX-AS2N-W](#) [KUSBX-SMT2AP1S-W](#) [KUSBX-SMT2AP1S-W30](#) [935](#) [957](#) [30-498-6](#) [SK-60A-2](#) [17-210051](#) [1734082-1](#) [30-1574](#) [30-470](#) [30-489](#) [30-541](#) [30-572-3](#) [A-USB A-2P-C](#) [MIKROE-1451](#) [USBFTV2PEM2G](#) [USBFTVC6ZN](#) [KUSBX-AS2N-W30](#) [KUSBX-SLAS1N-W](#) [KUSBX-SMT-AS1N-W30](#) [4689-1](#) [1-1734084-2](#) [E8110-001-01](#) [33UBARS1-04SW11](#) [33UBAR-04SW11](#) [USBF21ZNSCC](#) [USBBFTV6ZC](#) [10135326-001LF](#) [USB-A-S-F-B-VT](#) [925](#) [4198](#) [690-024-633-031](#) [KUSBEX-BSFS1N-W](#) [USBFTVC6MRG](#) [UA-20BMFA-SL8001](#) [17-250101](#) [USBFTVC7ZC](#)