

(2.54 mm) .100"

SSW, SSQ SERIES

# THROUGH-HOLE .025" SQ POST SOCKET

## SPECIFICATIONS

For complete specifications see [www.samtec.com?SSW](http://www.samtec.com?SSW) or [www.samtec.com?SSQ](http://www.samtec.com?SSQ)

**Insulator Material:**  
 Black Liquid Crystal Polymer (-S & -D) or Black High Temperature Thermoplastic (-T)

**Contact Material:**  
 Phosphor Bronze

**Plating:**  
 Au or Sn over 50 μ" (1.27 μm) Ni

**Current Rating (SSW/TSM):**  
 4.7 A per pin (2 pins powered)

**Current Rating (SSQ/TSW):**  
 6.3 A per pin (2 pins powered)

**Operating Temp Range:**  
 -55 °C to +125 °C with Gold  
 -55 °C to +105 °C with Tin

**Insertion Depth:**  
 (3.68 mm) .145" to (6.35 mm) .250"

**Normal Force:**  
 Standard= 125 grams (4.4 N)

**Max Cycles:**  
 100 with 10 μ" (0.25 μm) Au

**Voltage Rating:**  
 465 VAC / 655 VDC

**RoHS Compliant:**  
 Yes

Mates With:

TSW, MTSW, MTLW, DW, EW, ZW, TSS, ZSS, TSM, TSSH, HTSS

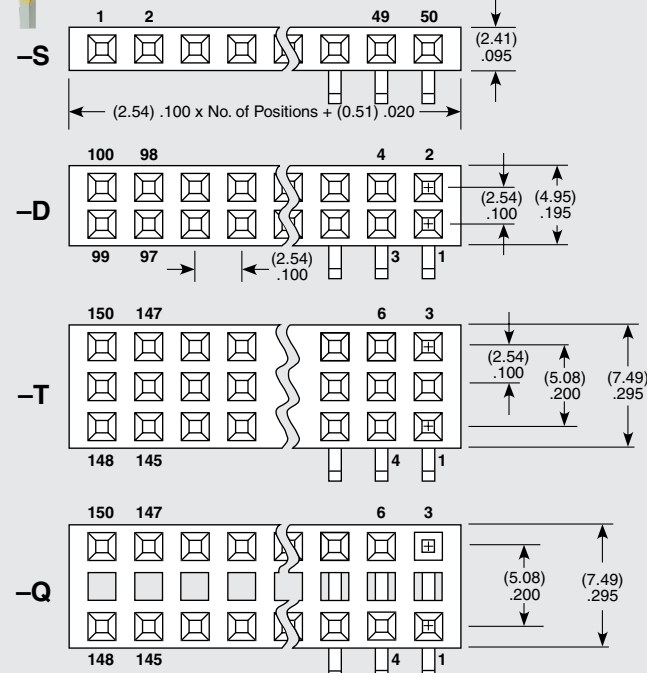
HIGH-SPEED CHANNEL PERFORMANCE

Rating based on Samtec reference channel. For full SI performance data visit [Samtec.com](http://Samtec.com) or contact [SIG@samtec.com](mailto:SIG@samtec.com)

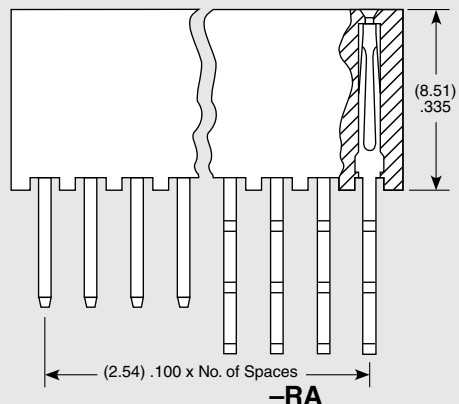
8 Gbps



CONTACT



01 thru 50



<b>TYPE STRIP</b>	<b>PIN CENTERS</b>	<b>NO. PINS PER ROW</b>	<b>LEAD STYLE</b>	<b>PLATING OPTION</b>	<b>ROW OPTION</b>	<b>TAIL OPTION</b>	<b>OTHER OPTION</b>
SSW = Solder Tail SSQ = Square Tail	-1 = (2.54 mm) .100" Centers 			-F = Gold flash on contact, Matte Tin on tail -L = 10 μ" (0.25 μm) Gold on contact, Matte Tin on tail -G = 20 μ" (0.51 μm) Gold on contact, Gold flash on tail -T = Matte Tin (-T N/A on LIF contacts)	-S = Single Row -P = Single Row (36 pins max) -D = Double Row -T = Triple Row -Q = Double Row .200" (5.08 mm) row space (Outer rows filled only)	-RA = Right-angle (Leave blank for straight pin version)	-LL = Locking Lead Two leads per strip crimped in opposite directions on or near centerline. Available on tails from (2.29 mm) .090" to (7.87 mm) .310" only. N/A with single row 1 or 2 positions. - "XXX" = Polarized (Specify "XXX" as position number)

**ALSO AVAILABLE (MOQ Required)**

- Other platings
- Notch option

## PROCESSING

**Lead-Free Solderable:**  
 Yes:  
 -S and -D row option  
 No, Lead Wave only:  
 -P, -T and -Q row option

## RECOGNITIONS

For complete scope of recognitions see [www.samtec.com/quality](http://www.samtec.com/quality)

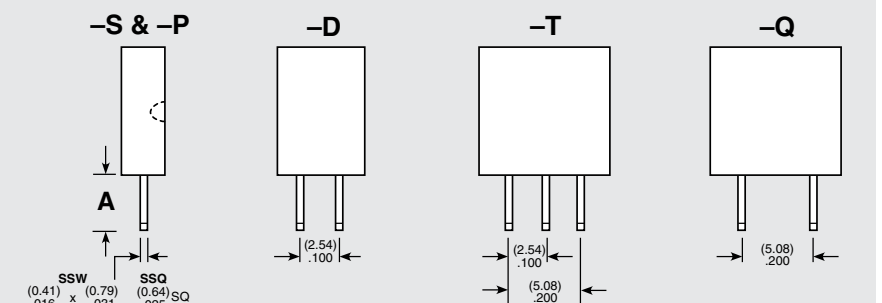


**Note:**  
 Some lengths, styles and options are non-standard, non-returnable.

## Straight Pin Versions (Specify "LEAD STYLE" from chart)

LEAD STYLE		SINGLE DOUBLE OR TRIPLE A
Standard Insertion Force	Low Insertion Force*	
-01	-21	(2.64) .104
-02	-22	(4.93) .194
-03	-23	(10.00) .394
-04	-24	(14.83) .584
-06**	Not Available	(3.15) .124

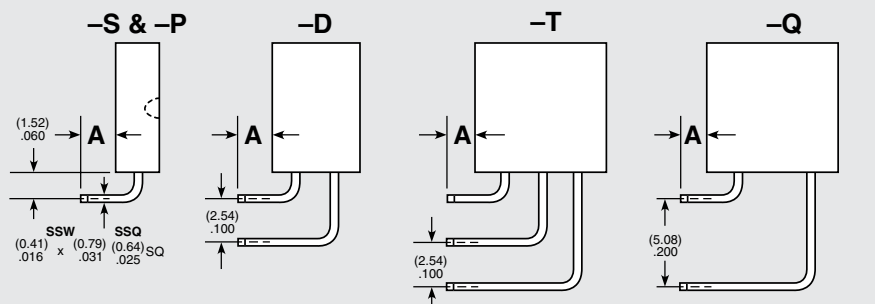
\* LIF not available with Tin Plating  
 \*\*Style -06 Not available with SSQ



## Right-Angle Versions (Specify "LEAD STYLE" from chart)

LEAD STYLE	SINGLE (-S) A	DOUBLE (-D) A	TRIPLE (-T & -Q) A
-02	-22	(2.54) .100	(2.54) .100
-03	-23	(7.62) .300	(7.62) .300
-04	-24	(12.45) .490	Not Available

\*LIF not available with Tin Plating



Due to technical progress, all designs, specifications and components are subject to change without notice.

[WWW.SAMTEC.COM](http://WWW.SAMTEC.COM)

All parts within this catalog are built to Samtec's specifications. Customer specific requirements must be approved by Samtec and identified in a Samtec customer-specific drawing to apply.

Due to technical progress, all designs, specifications and components are subject to change without notice.

[WWW.SAMTEC.COM](http://WWW.SAMTEC.COM)

All parts within this catalog are built to Samtec's specifications. Customer specific requirements must be approved by Samtec and identified in a Samtec customer-specific drawing to apply.

## X-ON Electronics

Largest Supplier of Electrical and Electronic Components

*Click to view similar products for [Board to Board & Mezzanine Connectors](#) category:*

*Click to view products by [Samtec](#) manufacturer:*

Other Similar products are found below :

[589158040000018](#) [MDF7C-18P-2.54DSA\(55\)](#) [FCN-230C068-11](#) [FCN-268F012-G/BD](#) [FCN-268F036-G/BD](#) [FCN-268M012-G/0D](#) [FCN-268M024-G/1D](#) [FCN-723J004/1](#) [MIS-048-01-F-D-DP-K](#) [832-10-034-10-001000](#) [FX4C-80S-1.27DSA](#) [FCN-214Q030-G/0](#) [FCN-234P048-G/0](#) [FCN-235D050-G/C](#) [210-93-314-41-105000](#) [2-22603-0](#) [MDF7-40DP-2.54DSA\(55\)](#) [AXG720047](#) [5031084030](#) [MIT-114-03-F-D-K](#) [55323-1519](#) [DF33-2P-3.3DSA\(24\)](#) [YFT-20-05-H-03-SB-K](#) [503308-3040](#) [026-6203-PDB](#) [027-6203-PDB](#) [069159702701000](#) [10123981-102LF](#) [101A10019X](#) [55650-0588-C](#) [68684-306](#) [75140-7012](#) [589159005003045](#) [194261-1](#) [FCN-268F024-G0D](#) [10124054-515LF](#) [68685-603](#) [8-1616154-3](#) [MIS-019-01-F-D](#) [589159005002045](#) [541371078](#) [IL-WX-10PB-HF-B-E1000E](#) [FCN-268M024-G/3D](#) [20021832-06016C1LF](#) [KX15-20KLDL-E1000E](#) [MDF7-16DP-2.54DSA\(55\)](#) [AXE810124](#) [FCN-214J100-G/0](#) [FCN-230C068-E/S](#) [AXE812124](#)