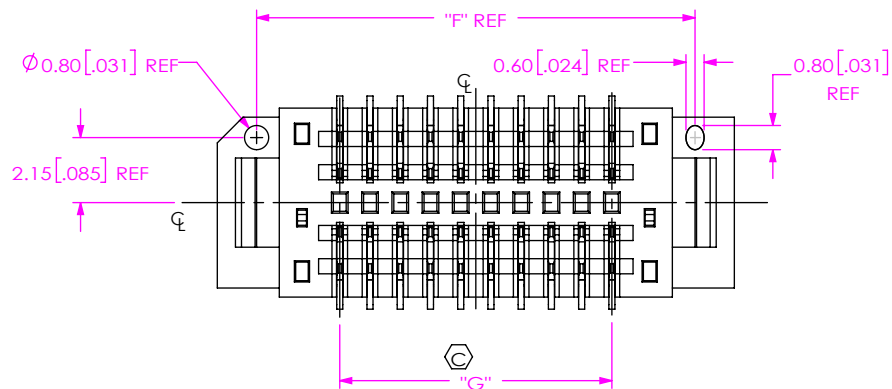
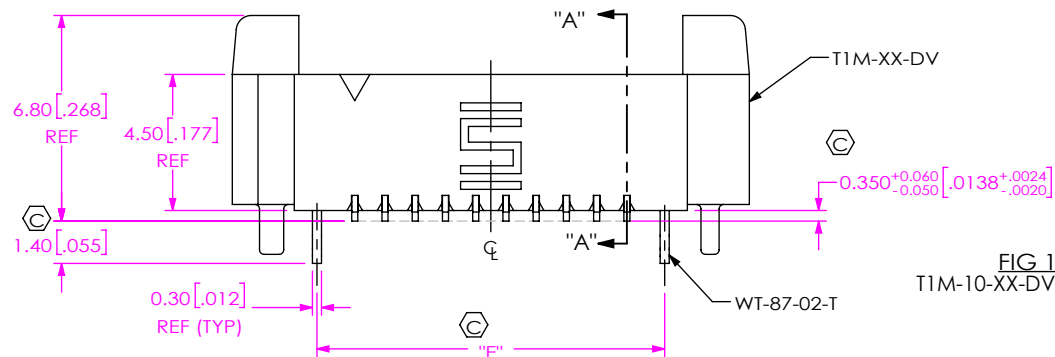
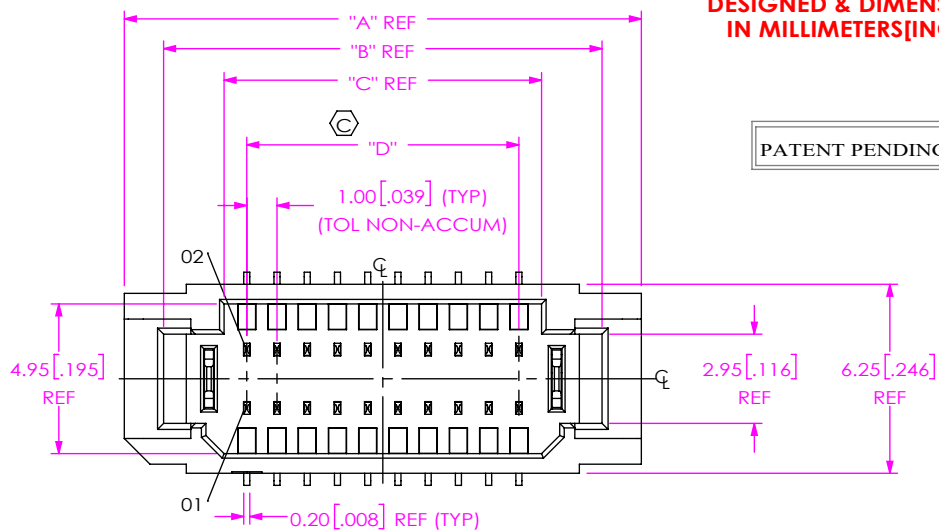


DO NOT SCALE FROM THIS PRINT

DESIGNED & DIMENSIONED IN MILLIMETERS [INCHES]

PATENT PENDING



NOTES:

1. \odot REPRESENTS A CRITICAL DIMENSION.
2. MINIMUM PUSHOUT FORCE: SIGNAL: 2.23N [.5 LB], WELD TAB: 4.45N [1 LB].
3. PARTS TO BE PACKAGED IN TAPE AND REEL.
FOR QUANTITIES UP TO 49 PIECES, NO LEADER, TRAILER, OR REEL WILL BE SUPPLIED.
FOR QUANTITIES OF 50-124 PIECES, NO LEADER OR TRAILER WILL BE SUPPLIED.

T1M-XX-XX-DV-X

NO. OF POSITIONS (PER ROW)
-02 THRU -20

OPTION

-K: POLYAMIDE FILM
(SEE FIG 2 & TABLE 2, SHT 3)

PLATING SPECIFICATION

-T: MATTE TIN CONTACT AND TAIL
(FOR EXISTING CUSTOMER ONLY)
-GF: 3 μ " GOLD CONTACT AND TAIL

TAIL OPTION
-DV: VERTICAL

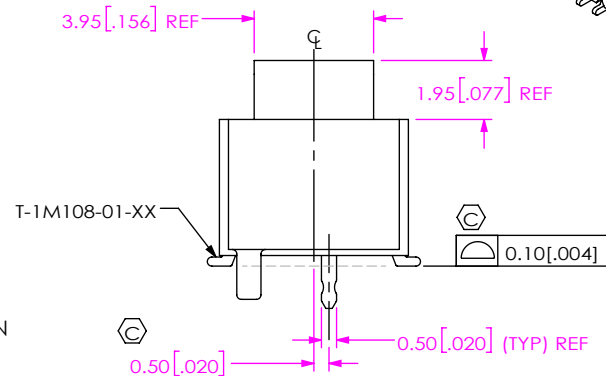
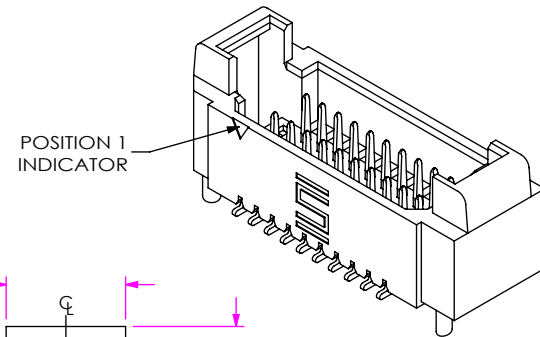


FIG 1
T1M-10-XX-DV SHOWN

UNLESS OTHERWISE SPECIFIED, DIMENSIONS ARE IN MILLIMETERS.
TOLERANCES ARE:
DECIMALS ANGLES
X.X: ± 0.3 [01] 2°
X.XX: ± 0.13 [005]
X.XXX: ± 0.051 [0020]

PROPRIETARY NOTE
THIS DOCUMENT CONTAINS CONFIDENTIAL AND PROPRIETARY INFORMATION AND ALL DESIGN, MANUFACTURING, REPRODUCTION, USE, PATENT RIGHTS AND SALES RIGHTS ARE EXPRESSLY RESERVED BY SAMTEC, INC. THIS DOCUMENT SHALL NOT BE DISCLOSED, IN WHOLE OR PART, TO ANY UNAUTHORIZED PERSON OR ENTITY NOR REPRODUCED, TRANSFERRED OR INCORPORATED IN ANY OTHER PROJECT IN ANY MANNER WITHOUT THE EXPRESS WRITTEN CONSENT OF SAMTEC, INC.

MATERIAL: DO NOT SCALE DRAWING SHEET SCALE: 4:1
INSULATOR: LCP, UL 94-V0; COLOR: NATURAL
TERMINAL: PHOS BRONZE
WELD TAB: PHOS BRONZE



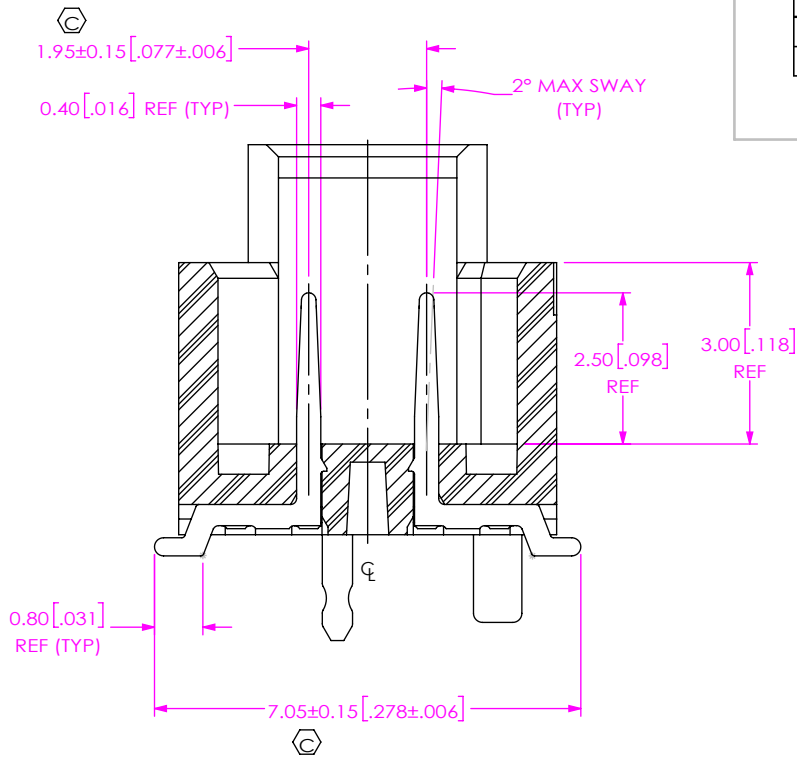
520 PARK EAST BLVD, NEW ALBANY, IN 47150
PHONE: 812-944-6733 FAX: 812-948-5047
e-Mail: info@SAMTEC.com code 55322

DESCRIPTION:
1 MM DOUBLE ROW DISCRETE WIRE HEADER

DWG. NO. T1M-XX-XX-DV-X

BY: ROY LUO 06/22/2013 SHEET 1 OF 3

TABLE 1							
No OF POS	"A"	"B"	"C"	"D"	"E"	"F"	"G"
-02	9.10 [0.358]	6.50 [0.256]	2.50 [0.098]	1.00 [0.039]	3.500 [0.1378]	6.50 [0.256]	1.000 [0.0394]
-03	10.10 [0.398]	7.50 [0.295]	3.50 [0.138]	2.00 [0.079]	4.500 [0.1772]	7.50 [0.295]	2.000 [0.0787]
-04	11.10 [0.437]	8.50 [0.335]	4.50 [0.177]	3.00 [0.118]	5.500 [0.2165]	8.50 [0.335]	3.000 [0.1181]
-05	12.10 [0.476]	9.50 [0.374]	5.50 [0.217]	4.00 [0.157]	6.500 [0.2559]	9.50 [0.374]	4.000 [0.1575]
-06	13.10 [0.516]	10.50 [0.413]	6.50 [0.256]	5.00 [0.197]	7.500 [0.2953]	10.50 [0.413]	5.000 [0.1969]
-07	14.10 [0.555]	11.50 [0.453]	7.50 [0.295]	6.00 [0.236]	8.500 [0.3346]	11.50 [0.453]	6.000 [0.2362]
-08	15.10 [0.594]	12.50 [0.492]	8.50 [0.335]	7.00 [0.276]	9.500 [0.3740]	12.50 [0.492]	7.000 [0.2756]
-09	16.10 [0.634]	13.50 [0.531]	9.50 [0.374]	8.00 [0.315]	10.500 [0.4134]	13.50 [0.531]	8.000 [0.3150]
-10	17.10 [0.673]	14.50 [0.571]	10.50 [0.413]	9.00 [0.354]	11.500 [0.4528]	14.50 [0.571]	9.000 [0.3543]
-11	18.10 [0.713]	15.50 [0.610]	11.50 [0.453]	10.00 [0.394]	12.500 [0.4921]	15.50 [0.610]	10.000 [0.3937]
-12	19.10 [0.752]	16.50 [0.650]	12.50 [0.492]	11.00 [0.433]	13.500 [0.5315]	16.50 [0.650]	11.000 [0.4331]
-13	20.10 [0.791]	17.50 [0.689]	13.50 [0.531]	12.00 [0.472]	14.500 [0.5709]	17.50 [0.689]	12.000 [0.4724]
-14	21.10 [0.831]	18.50 [0.728]	14.50 [0.571]	13.00 [0.512]	15.500 [0.6102]	18.50 [0.728]	13.000 [0.5118]
-15	22.10 [0.870]	19.50 [0.768]	15.50 [0.610]	14.00 [0.551]	16.500 [0.6496]	19.50 [0.768]	14.000 [0.5512]
-16	23.10 [0.909]	20.50 [0.807]	16.50 [0.650]	15.00 [0.591]	17.500 [0.6890]	20.50 [0.807]	15.000 [0.5906]
-17	24.10 [0.949]	21.50 [0.846]	17.50 [0.689]	16.00 [0.630]	18.500 [0.7283]	21.50 [0.846]	16.000 [0.6299]
-18	25.10 [0.988]	22.50 [0.886]	18.50 [0.728]	17.00 [0.669]	19.500 [0.7677]	22.50 [0.886]	17.000 [0.6693]
-19	26.10 [1.028]	23.50 [0.925]	19.50 [0.768]	18.00 [0.709]	20.500 [0.8071]	23.50 [0.925]	18.000 [0.7087]
-20	27.10 [1.067]	24.50 [0.965]	20.50 [0.807]	19.00 [0.748]	21.500 [0.8465]	24.50 [0.965]	19.000 [0.7480]



SECTION "A"- "A"
SCALE 8 : 1

PROPRIETARY NOTE
 THIS DOCUMENT CONTAINS CONFIDENTIAL AND PROPRIETARY INFORMATION AND ALL DESIGN, MANUFACTURING, REPRODUCTION, USE, PATENT RIGHTS AND SALES RIGHTS ARE EXPRESSLY RESERVED BY SAMTEC, INC. THIS DOCUMENT SHALL NOT BE DISCLOSED, IN WHOLE OR PART, TO ANY UNAUTHORIZED PERSON OR ENTITY NOR REPRODUCED, TRANSFERRED OR INCORPORATED IN ANY OTHER PROJECT IN ANY MANNER WITHOUT THE EXPRESS WRITTEN CONSENT OF SAMTEC, INC.



520 PARK EAST BLVD, NEW ALBANY, IN 47150
 PHONE: 812-944-6733 FAX: 812-948-5047
 e-Mail info@SAMTEC.com code 55322

DO NOT SCALE DRAWING
 SHEET SCALE: 4:1

DESCRIPTION:
 1 MM DOUBLE ROW DISCRETE WIRE HEADER
 DWG. NO.
T1M-XX-XX-DV-X
 BY: ROY LUO 06/22/2013 SHEET 2 OF 3

F:\DWG\MISC\MKTG\T1M-XX-XX-DV-X-MKT.SLDDRW

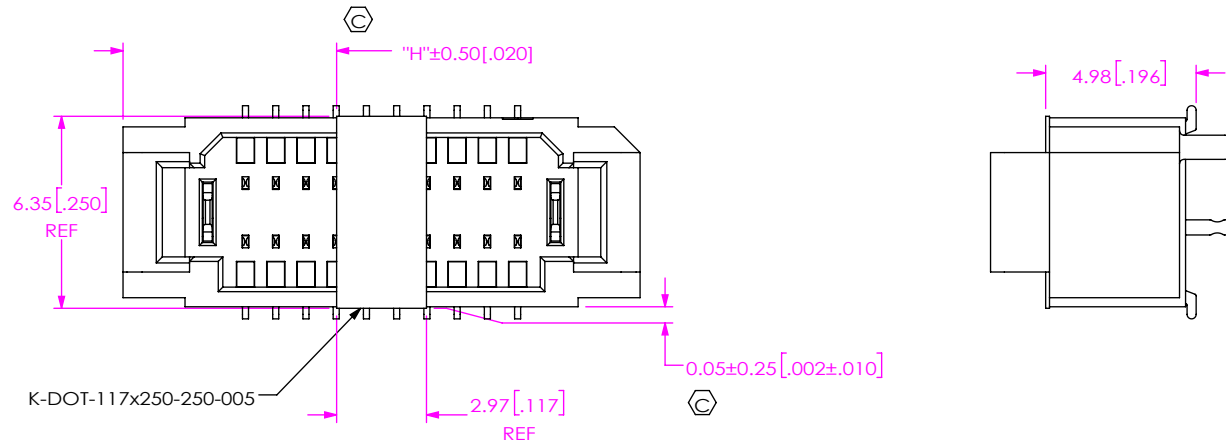



FIG 2
-K: POLYAMIDE FILM
(T1M-10-XX-DV-K SHOWN)

TABLE 2	
No OF POS	"H"
-02	3.06 [0.121]
-03	3.56 [0.140]
-04	4.06 [0.160]
-05	4.56 [0.180]
-06	5.06 [0.199]
-07	5.56 [0.219]
-08	6.06 [0.239]
-09	6.56 [0.258]
-10	7.06 [0.278]
-11	7.56 [0.298]
-12	8.06 [0.317]
-13	8.56 [0.337]
-14	9.06 [0.357]
-15	9.56 [0.376]
-16	10.06 [0.396]
-17	10.56 [0.416]
-18	11.06 [0.436]
-19	11.56 [0.455]
-20	12.06 [0.475]

<p>DO NOT SCALE DRAWING</p> <p>SHEET SCALE: 4:1</p>	<p>PROPRIETARY NOTE</p> <p>THIS DOCUMENT CONTAINS CONFIDENTIAL AND PROPRIETARY INFORMATION AND ALL DESIGN, MANUFACTURING, REPRODUCTION, USE, PATENT RIGHTS AND SALES RIGHTS ARE EXPRESSLY RESERVED BY SAMTEC, INC. THIS DOCUMENT SHALL NOT BE DISCLOSED, IN WHOLE OR PART, TO ANY UNAUTHORIZED PERSON OR ENTITY NOR REPRODUCED, TRANSFERRED OR INCORPORATED IN ANY OTHER PROJECT IN ANY MANNER WITHOUT THE EXPRESS WRITTEN CONSENT OF SAMTEC, INC.</p>	 <p>520 PARK EAST BLVD, NEW ALBANY, IN 47150 PHONE: 812-944-6733 FAX: 812-948-5047 e-Mail info@SAMTEC.com code 55322</p>
	<p>DESCRIPTION:</p> <p>1 MM DOUBLE ROW DISCRETE WIRE HEADER</p> <p>DWG. NO.</p> <p>T1M-XX-XX-DV-X</p>	<p>BY: ROY LUO 06/22/2013</p>
	<p>SHEET 3 OF 3</p>	

X-ON Electronics

Largest Supplier of Electrical and Electronic Components

Click to view similar products for [Headers & Wire Housings](#) category:

Click to view products by [Samtec](#) manufacturer:

Other Similar products are found below :

[892-18-020-10-001101](#) [58102-G61-06LF](#) [582553-1](#) [0009485154](#) [009176003701906](#) [0050291907](#) [LY20-4P-DT1-P1E-BR](#) [02.125.8002.8](#)
[609-3404](#) [61062-3](#) [61082-181009](#) [622-3653LF](#) [63453-116](#) [636-1030](#) [636-1427](#) [636-3427](#) [636-4007](#) [641938-9](#) [641991-4](#) [644827-2](#) [65817-](#)
[010LF](#) [65817-015LF](#) [65863-015LF](#) [66207-023LF](#) [67095-007LF](#) [67601157](#) [68645-018](#) [68648-049](#) [70.362.1628.0](#) [70-4210](#) [70-4226B](#) [70-](#)
[4853B](#) [707-5020](#) [707-5028](#) [71.350.2428.0](#) [71918-208LF](#) [71961-016LF](#) [733-134](#) [733-162](#) [754199-000](#) [760-3052](#) [787-8014-00](#) [79531-3000](#)
[FCN-360C032-B](#) [FCN-367T-T012/H](#) [FCN-723D010/2](#) [80.063.4001.1](#) [800-90-001-10-001000](#) [800-90-010-10-002000](#) [801-43-002-10-013000](#)