



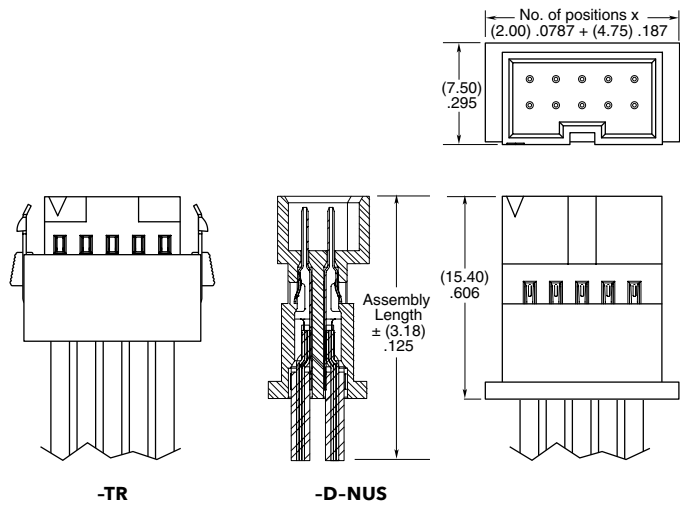
(2.00 mm) .0787" PITCH • DISCRETE WIRE CABLE ASSEMBLY

SERIES	PINS PER ROW	WIRE GAUGE	PLATING OPTION	ASSEMBLED LENGTH	END OPTIONS	END 2 OPTIONS
T2SD = Double Row PVC Cable	-05, -07, -10, -15, -20, -25, -30 (Standard sizes)	-24 -24C = Color Coded Cable (T2SD only)	-L = 10 μ" (0.25 μm) Gold on contact	-"XX.XX" = Wire Length in Inches -S = (76.3 mm) 03.00" min. -D = (82.55 mm) 03.25" min.	-S = Single End -D = Double End -T = Transfer End (Socket on end 2) -TR = Transfer End with Retention Latch on Socket	(Only available with -D, -T & -TR) (See Chart for pin configuration) -NUS = Notch up, straight -NDS = Notch down, straight -NUX = Notch up, crossed -NDX = Notch down, crossed
T2SDT = Double Row Blue *Teflon® Cable (24, 28, 30 Gauge only)		-26 -28 -30				

T2SD(T)
Board Mates:
T2M (Requires -T or -TR), S2M

SPECIFICATIONS

Insulator Material: Black LCP
Terminal Material: Phosphor Bronze
Plating: Au over 50 μ" (1.27 μm) Ni
Wire: 24, 26, 28 or 30 AWG
Current Rating (T2SD/S2M): 2.6 A per pin (2 pins powered)
Operating Temp Range: -10 °C to +105 °C (PVC) -40 °C to +125 °C (*Teflon®)
Voltage Rating: 350 VAC



END 1 OPTION	PIN CONFIGURATION			
	END 2 -NUS	END 2 -NDS	END 2 -NUX	END 2 -NDX
-D	Pin 1 to Pin N-1	Pin 1 to Pin 2	Pin 1 to Pin N	Pin 1 to Pin 1
-T & -TR	Pin 1 to Pin 1	Pin 1 to Pin N	Pin 1 to Pin 2	Pin 1 to Pin N-1

-24C CABLE COLOR CODING	
PIN	COLOR
1	BROWN
2	RED
3	ORANGE
4	YELLOW
5	GREEN
6	VIOLET
7	GRAY
8	WHITE
9	BLACK
10	BLUE
ETC	REPEAT

*DuPont™ Teflon® is a registered trademark of the E.I. du Pont de Nemours and Company or its affiliates.

Notes:
Teflon® cable is intended for crimp only. Contact Samtec for solderable cable applications.
For wiring option information refer to drawings on web.

Some lengths, styles and options are non-standard, non-returnable.

View complete specifications at: samtec.com?T2SD & samtec.com?T2SDT

X-ON Electronics

Largest Supplier of Electrical and Electronic Components

Click to view similar products for [Rectangular Cable Assemblies](#) category:

Click to view products by [Samtec](#) manufacturer:

Other Similar products are found below :

[MC320E-N-23](#) [A08KR08KR26E203B](#) [G125FC10668L0-0300L](#) [G125FC10668L0-0150L](#) [G125-FC11068L0-0150L](#) [G125-FC11068L0-0300L](#)
[A06XAF06XAF22K254B](#) [A10XAF10XAF22K152B](#) [A13KR13KR26E254B](#) [A12SUR12SUR32W203A](#) [A16KR16KR26E203B](#)
[A12KR12KR26E305A](#) [A12KR12KR26E305B](#) [A12ZR12ZR28H203B](#) [A12ZR12ZR28H203A](#) [A10SR10SR30K254A](#) [A09SR09SR30K305A](#)
[A14KR14KR26E254A](#) [A14KR14KR26E254B](#) [A10ZR10ZR28H254A](#) [A09ZR09ZR28H305A](#) [A09ZR09ZR28H305B](#) [A13ZR13ZR28H203A](#)
[A15KR15KR26E254A](#) [A13KR13KR26E305B](#) [A11ZR11ZR28H254A](#) [A11ZR11ZR28H254B](#) [A11SR11SR30K254A](#)
[A12SUR12SUR32W254A](#) [A10ZR10ZR28H305B](#) [A12ZR12ZR28H254A](#) [A15KR15KR26E305A](#) [A15KR15KR26E305B](#)
[A11SR11SR30K305A](#) [A11ZR11ZR28H305A](#) [A11ZR11ZR28H305B](#) [A13ZR13ZR28H254A](#) [A12SUR12SUR32W305A](#)
[A12ZR12ZR28H305A](#) [A12ZR12ZR28H305B](#) [A20XAF20XAF22K51B](#) [A13ZR13ZR28H305A](#) [A20XAF20XAF22K102B](#)
[A20XAF20XAF22K152B](#) [A20XAF20XAF22K203B](#) [A20XAF20XAF22K254B](#) [A20XAF20XAF22K305B](#) [A16XSR16XSR36R254B](#)
[A03ZR03ZR28H51B](#) [A03SR03SR30K51B](#)