



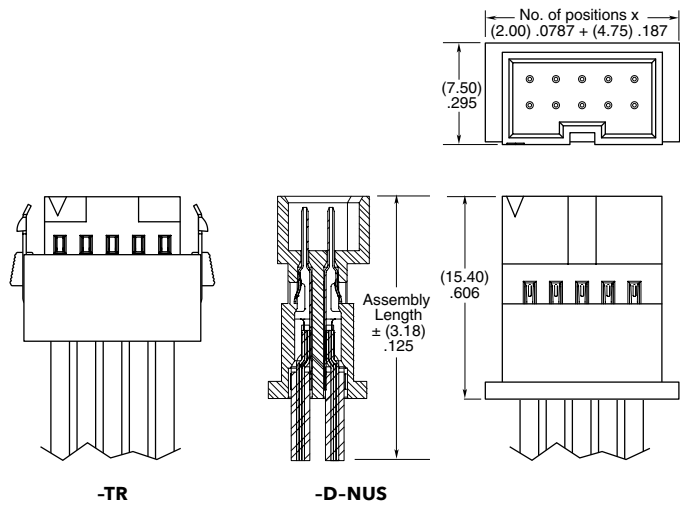
**(2.00 mm) .0787" PITCH • DISCRETE WIRE CABLE ASSEMBLY**

SERIES	PINS PER ROW	WIRE GAUGE	PLATING OPTION	ASSEMBLED LENGTH	END OPTIONS	END 2 OPTIONS
<b>T2SD</b> = Double Row PVC Cable	<b>-05, -07, -10, -15, -20, -25, -30</b> (Standard sizes)	<b>-24</b> <b>-24C</b> = Color Coded Cable (T2SD only)	<b>-L</b> = 10 μ" (0.25 μm) Gold on contact	<b>-"XX.XX"</b> = Wire Length in Inches -S = (76.3 mm) 03.00" min. -D = (82.55 mm) 03.25" min.	<b>-S</b> = Single End <b>-D</b> = Double End <b>-T</b> = Transfer End (Socket on end 2) <b>-TR</b> = Transfer End with Retention Latch on Socket	(Only available with -D, -T & -TR) (See Chart for pin configuration) <b>-NUS</b> = Notch up, straight <b>-NDS</b> = Notch down, straight <b>-NUX</b> = Notch up, crossed <b>-NDX</b> = Notch down, crossed
<b>T2SDT</b> = Double Row Blue *Teflon® Cable (24, 28, 30 Gauge only)		<b>-26</b> <b>-28</b> <b>-30</b>				

**T2SD(T)**  
Board Mates:  
T2M (Requires -T or -TR), S2M

**SPECIFICATIONS**

**Insulator Material:** Black LCP  
**Terminal Material:** Phosphor Bronze  
**Plating:** Au over 50 μ" (1.27 μm) Ni  
**Wire:** 24, 26, 28 or 30 AWG  
**Current Rating (T2SD/S2M):** 2.6 A per pin (2 pins powered)  
**Operating Temp Range:** -10 °C to +105 °C (PVC) -40 °C to +125 °C (\*Teflon®)  
**Voltage Rating:** 350 VAC



END 1 OPTION	PIN CONFIGURATION			
	END 2 -NUS	END 2 -NDS	END 2 -NUX	END 2 -NDX
-D	Pin 1 to Pin N-1	Pin 1 to Pin 2	Pin 1 to Pin N	Pin 1 to Pin 1
-T & -TR	Pin 1 to Pin 1	Pin 1 to Pin N	Pin 1 to Pin 2	Pin 1 to Pin N-1

-24C CABLE COLOR CODING	
PIN	COLOR
1	BROWN
2	RED
3	ORANGE
4	YELLOW
5	GREEN
6	VIOLET
7	GRAY
8	WHITE
9	BLACK
10	BLUE
ETC	REPEAT

\*DuPont™ Teflon® is a registered trademark of the E.I. du Pont de Nemours and Company or its affiliates.

**Notes:**  
Teflon® cable is intended for crimp only. Contact Samtec for solderable cable applications.  
For wiring option information refer to drawings on web.

Some lengths, styles and options are non-standard, non-returnable.

View complete specifications at: [samtec.com?T2SD](http://samtec.com?T2SD) & [samtec.com?T2SDT](http://samtec.com?T2SDT)

## X-ON Electronics

Largest Supplier of Electrical and Electronic Components

*Click to view similar products for [Rectangular Cable Assemblies](#) category:*

*Click to view products by [Samtec](#) manufacturer:*

Other Similar products are found below :

[MC320E-N-23](#) [A08KR08KR26E203B](#) [G125FC10668L0-0300L](#) [G125FC10668L0-0150L](#) [G125-FC11068L0-0150L](#) [G125-FC11068L0-0300L](#)  
[A06XAF06XAF22K254B](#) [A10XAF10XAF22K152B](#) [A13KR13KR26E254B](#) [A12SUR12SUR32W203A](#) [A16KR16KR26E203B](#)  
[A12KR12KR26E305A](#) [A12KR12KR26E305B](#) [A12ZR12ZR28H203B](#) [A12ZR12ZR28H203A](#) [A10SR10SR30K254A](#) [A09SR09SR30K305A](#)  
[A14KR14KR26E254A](#) [A14KR14KR26E254B](#) [A10ZR10ZR28H254A](#) [A09ZR09ZR28H305A](#) [A09ZR09ZR28H305B](#) [A13ZR13ZR28H203A](#)  
[A15KR15KR26E254A](#) [A13KR13KR26E305B](#) [A11ZR11ZR28H254A](#) [A11ZR11ZR28H254B](#) [A11SR11SR30K254A](#)  
[A12SUR12SUR32W254A](#) [A10ZR10ZR28H305A](#) [A14KR14KR26E305B](#) [A10ZR10ZR28H305B](#) [A12ZR12ZR28H254A](#)  
[A15KR15KR26E305A](#) [A15KR15KR26E305B](#) [A11SR11SR30K305A](#) [A11ZR11ZR28H305A](#) [A11ZR11ZR28H305B](#) [A13ZR13ZR28H254A](#)  
[A12SUR12SUR32W305A](#) [A12ZR12ZR28H305A](#) [A12ZR12ZR28H305B](#) [A20XAF20XAF22K51B](#) [A13ZR13ZR28H305A](#)  
[A20XAF20XAF22K102B](#) [A20XAF20XAF22K152B](#) [A20XAF20XAF22K203B](#) [A20XAF20XAF22K254B](#) [A20XAF20XAF22K305B](#)  
[A16XSR16XSR36R254B](#)