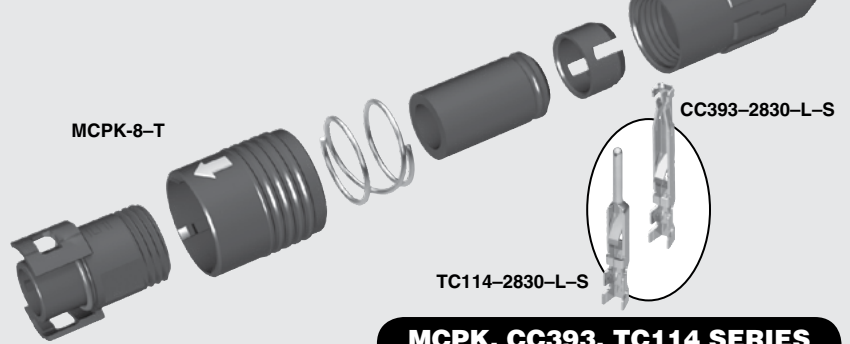




ACCLIMATE™



MCPK, CC393, TC114 SERIES

8 SERIES IP67 FIELD TERMINATION KIT

Mates with:
MCR(K), MCP(K)

SPECIFICATIONS

For complete specifications see www.samtec.com?MCPK

- Insulator Material:** PPS
- Terminal Material:** Phosphor Bronze
- Contact Material:** Phosphor Bronze
- Operating Temp Range:** -20 °C to +80 °C
- Gasket Material:** Silicone
- Spring Material:** Stainless Steel
- Coupling Ring Spacer:** PBT
- Cable Clamp:** POM
- RoHS Compliant:** Yes

DUST CAPS

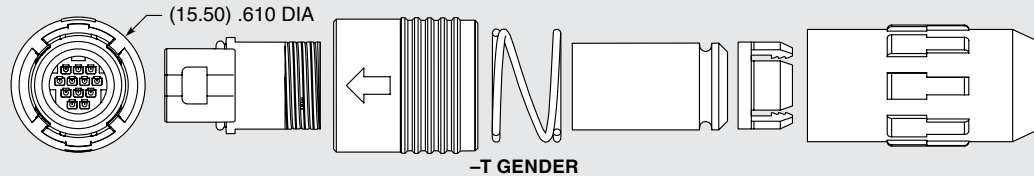
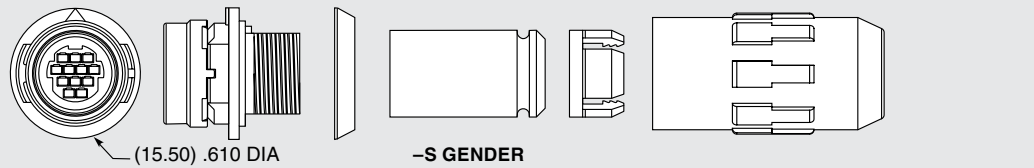
- -S (Socket) = DCA-MCR-8
 - -T (Terminal) = DCA-MCP-8
- Visit sealedio.samtec.com for a complete list of sealed systems

Note: Samtec's MCPK Series is dual sourced by Hirose Electric Co., LTD.



-T = Terminal (12 positions)

-S = Socket (12 positions)



SPECIFICATIONS

For complete specifications see www.samtec.com?CC393 or www.samtec.com?TC114

Plating:
10 µ" (0.25 µm) Gold on contact

TOOLING

- Hand Tool:
CAT-HT-393-2430-13
- Mini Applicator
(28-30 AWG):
CAT-MC-393-2830-XX-01
- Extraction Tool:
CAT-EX-MCX-8-01



CC393
= Contact

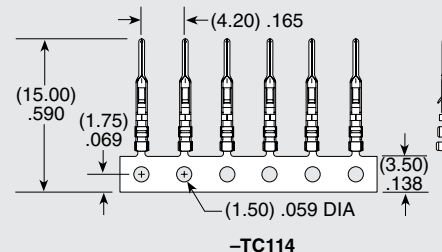
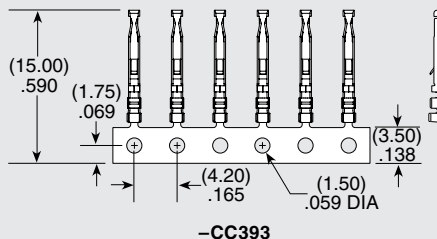
TC114
= Terminal

-2830
= 28 to 30 AWG

-S
= Strip
(15 contacts or terminals)

-M
= Mini Reel
(1,000 - 5,000 contacts or terminals)

-R
= Reel
(30,000 contacts or terminals)



X-ON Electronics

Largest Supplier of Electrical and Electronic Components

Click to view similar products for [Standard Circular Contacts](#) category:

Click to view products by [Samtec](#) manufacturer:

Other Similar products are found below :

[RC16M23J](#) [133780-1](#) [RM20M13D28](#) [RM24M9D28](#) [RMMX110-1D28](#) [ELFH02211](#) [ELVP16100E](#) [164-901-CD](#) [BACS16X1A](#)
[EN3545007SCE](#) [BV002BSQ20049CZ](#) [BV002SSQ160404CZ](#) [1900ND05S1B00B](#) [SJS862201](#) [166566-1](#) [1900ND04S1X00D](#) [ST-JL05-20S-](#)
[C1-100](#) [ST-JL05-20S-C2-100](#) [T01-CRIMP-S03](#) [APK-SA16A07-002](#) [27963-15T12](#) [CONT-JL05-08S-C2-10](#) [CONT-JL05-12S-C1-10](#)
[RC16M-23T](#) [RFD26L-1D28](#) [BV002ASJ16049CW](#) [33505815019](#) [JN1-22-20S-R-PKG100](#) [031-50213](#) [031-50794](#) [ELFH08251](#) [ELFP0641GE](#)
[SJS861301M](#) [ST-JL05-16S-C1-100](#) [ST-JL05-20P-C1-100](#) [82911466K](#) [82911467NK](#) [ESLM03200](#) [192991-0087](#) [192900-0570](#) [ELFH07251](#)
[M12883/40-07S](#) [BACS16X3A](#) [T3P16FC3LZ](#) [ZP-4016-10NF](#) [CONT-JL05-12P-C1-10](#) [RM20M12G8D28](#) [031-50676](#) [12115010110](#)
[RJFTVC2MG](#)