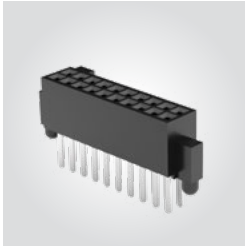
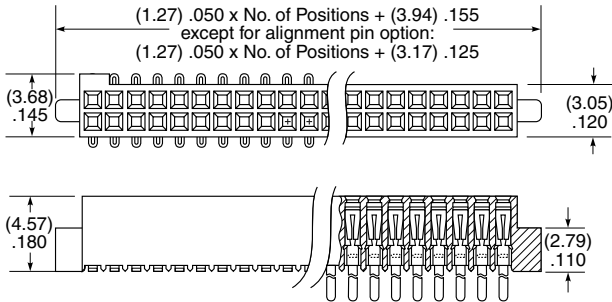


(1.27 mm) .050" PITCH • COST-EFFECTIVE HEADER/SOCKET

| SFC | 1 | NO. PINS PER ROW | LEAD STYLE | PLATING OPTION | D | OPTIONS |
|-----|---|--|---|---|---|---|
| | | 04, 05, 10, 15, 20, 25, 30, 35, 40, 45, 50 (Standard sizes) | -T1 = Through-hole Tiger Eye™ LITE -T2 = Surface Mount Tiger Eye™ LITE | -F = Gold flash on contact, Matte Tin on tail -L = 10 μ" (0.25 μm) Gold on contact, Matte Tin on tail | | -A = Alignment Pin -K = (4.00 mm) .157" DIA Polyimide film Pick & Place Pad -TR = Tape & Reel (-T2 only) -FR = Full Reel Tape & Reel (must order max. quantity per reel; contact Samtec for quantity breaks) (-T2 only) |

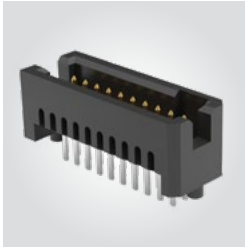
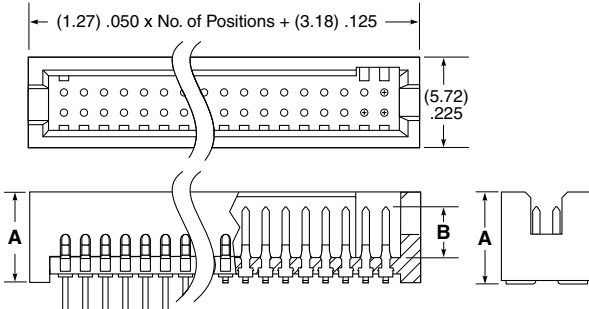
SFC
Board Mates:
TFC
Cable Mates:
TFS, TFSDT

View complete specifications at: samtec.com?SFC

| TFC | 1 | NO. PINS PER ROW | LEAD STYLE | PLATING OPTION | D | OPTIONS |
|-----|---|--|---|--|---|---|
| | | 03, 04, 06, 08 (Lead Style -01 & -02 only) 05, 07, 10, 15, 20, 25, 30, 35, 40, 45, 50 (Standard sizes) | -X1 = Through-hole -X2 = Surface Mount | -F = Gold flash on post, Matte Tin on tail -L = 15 μ" (0.38 μm) Gold on post, Matte Tin on tail | | -RA = Right-angle (-01 only) -A = Alignment Pin -LC = Locking Clip (Manual Placement required) (not available with -RA) -K = (6.75 mm) .266" DIA Polyimide film Pick & Place Pad (not available with -RA) -P = Plastic Pick & Place Pad (5 positions min.) (not available with -RA) -TR = Tape & Reel (-X2 only) (not available with -RA) -FR = Full Reel Tape & Reel (must order max. quantity per reel; contact Samtec for quantity breaks) (-X2 only) (not available with -RA) |

TFC
Board Mates:
SFC
Cable Mates:
SFS, SFSDT

| SMT LEAD STYLE | A | B | TH LEAD STYLE | A | B |
|----------------|--------------|-------------|---------------|--------------|-------------|
| -02 | (5.72) .225 | (3.38) .133 | -01 | (5.59) .220 | (3.38) .133 |
| -12 | (7.49) .295 | | -11 | (7.37) .290 | |
| -22 | (9.27) .365 | (3.30) .130 | -21 | (9.14) .360 | (3.30) .130 |
| -32 | (11.18) .440 | | -31 | (11.05) .435 | |

View complete specifications at: samtec.com?TFC

Note:
Some lengths, styles and options are non-standard, non-returnable.

X-ON Electronics

Largest Supplier of Electrical and Electronic Components

Click to view similar products for [Headers & Wire Housings](#) category:

Click to view products by [Samtec](#) manufacturer:

Other Similar products are found below :

[892-18-020-10-001101](#) [58102-G61-06LF](#) [582553-1](#) [0009485154](#) [009176003701906](#) [0050291907](#) [LY20-4P-DT1-P1E-BR](#) [02.125.8002.8](#)
[609-3404](#) [61062-3](#) [61082-181009](#) [622-3653LF](#) [63453-116](#) [636-1030](#) [636-1427](#) [636-3427](#) [636-4007](#) [641938-9](#) [641991-4](#) [644827-2](#) [65817-](#)
[010LF](#) [65817-015LF](#) [65863-015LF](#) [66207-023LF](#) [67095-007LF](#) [67601157](#) [68645-018](#) [68648-049](#) [70.362.1628.0](#) [70-4210](#) [70-4226B](#) [70-](#)
[4853B](#) [707-5020](#) [707-5028](#) [71.350.2428.0](#) [71918-208LF](#) [71961-016LF](#) [733-134](#) [733-162](#) [754199-000](#) [760-3052](#) [79531-3000](#) [FCN-](#)
[360C032-B](#) [FCN-367T-T012/H](#) [FCN-723D010/2](#) [80.063.4001.1](#) [800-90-001-10-001000](#) [800-90-010-10-002000](#) [801-43-002-10-013000](#)
[801-43-006-10-002000](#)