

REVISION BU

DO NOT SCALE FROM THIS PRINT

NOTES:

1. PARTS MAY BE CUT TO POSITION.
2. MEASURED AT BEND RADIUS, NOT AT END OF PIN.
3. TUBE ONLY -05 THROUGH -50 POSITIONS.
4. GOLD PLATING TO BE ON POST, TIN PLATING ON TAIL.
5. (C) REPRESENTS A CRITICAL DIMENSION.
6. MINIMUM PUSHOUT FORCE: 1.0 LB.
7. SURFACE MOUNT TAILS TO BE SHEARED TO DIMENSION ON STYLE -05 ONLY.
8. NOTE DELETED.
9. MAX. CUT FLASH: .020 [.51]
FLASH NOT TO BE ON SURFACE MOUNT SIDE.
10. DUE TO THE HIGH AMOUNT OF INSERTION FORCE NEEDED, THE -LC OPTION IS NOT COMPATIBLE WITH AUTO PLACEMENT. SAMTEC RECOMMENDS MANUAL PLACEMENT FOR ALL ASSEMBLIES WITH THE -LC, -EC, -EBC AND -EPC OPTIONS.

PLATING

- L: LIGHT SELECTIVE, 15 Au / 50 NI MIN ON CONTACT, MATTE TIN TAIL
- F: FLASH SELECTIVE, 3 Au / 50 NI MIN ON CONTACT, MATTE TIN TAIL
- S: SELECTIVE, 30 Au / 50 NI MIN ON CONTACT, MATTE TIN TAIL
- G: GOLD, 20 Au / 50 NI MIN ON CONTACT, 3 Au / 50 NI MIN ON TAIL
- T: MATTE TIN CONTACT AND TAIL
- H: HEAVY GOLD, 30 Au / 50 NI MIN ON CONTACT, 3 Au / 50 NI MIN ON TAIL
- TM: MATTE TIN CONTACT AND TAIL
- LM: LIGHT SELECTIVE, 15 Au / 50 NI MIN ON CONTACT, MATTE TIN TAIL
- SM: SELECTIVE, 30 Au / 50 NI MIN ON CONTACT, MATTE TIN TAIL
- FM: FLASH SELECTIVE, 3 Au / 50 NI MIN ON CONTACT, MATTE TIN TAIL

TMMH-1XX-XX-XX-DV-XXX-XXX

No. OF POS
-02 THRU -50
(PER ROW)

LEAD STYLE
-01: .126 [3.20]
(USE T-1S13-07-XX-2)
-04: .075 [1.91]
(USE T-1S13-04-XX-2)
-05: .085 [1.65] MIN
(USE T-1S13-20-XX-2)

UNLESS OTHERWISE NOTED TOLERANCES ARE:
ONE PLACE DECIMALS ±.1[2.5] THREE PLACE DECIMALS ±.005[.13]
TWO PLACE DECIMALS ±.01[.3] FOUR PLACE DECIMALS ±.0020[.051]
ANGLES ± 2°

TITLE: 2mm x 2mm TERMINAL STRIP ASSEMBLY
DWG NO: TMMH-1XX-XX-XX-DV-XXX-XXX
SHEET 1 OF 3

TABLE 1			
STYLE	"A"	"B"	TERMINAL "L"
-01	.126 [3.20]	.101 [2.57]	T-1S13-07-XX-2 .302 [7.67]
-04	.075 [1.91]	.050 [1.27]	T-1S13-04-XX-2 .255 [6.48]
-05	.085 [1.65]	.040 [1.02]	T-1S13-20-XX-2 .323 [8.20]

- POLARIZATION
SPECIFY POS -XXX TO BE OMITTED
- OPTIONS **
-M: PICK & PLACE PAD (USE PPP-10)
(SEE FIG 3; 5 POS MIN)
-TR: TAPE & REEL PACKAGING
(36 POS. MAX. CONTACT SAMTEC FOR LARGER POSITIONS.)
-ES: END SHROUDS (SEE FIG. 4, SHT. 2, 9 POS MIN)
-EC: LOCKING CLIP (SEE FIG. 6, SHT. 3, 9 POS MIN)
(DO NOT USE WITH -A OR -LC)
-EP: GUIDE POST (SEE FIG. 9, SHT. 2, 9 POS MIN)
-EL: BOARD LOCK (SEE FIG. 5, SHT. 2, 9 POS MIN)
-LC: FLEX MOLD LOCKING CLIP (USE LC-09-TM, SEE FIG 2, SHEET 2, 5 POS MIN)
-A: ALIGNMENT PIN (USE TMMH-50-D-A-XX, SEE FIG 2, SHEET 2) (3 POS MIN)
(NOT AVAILABLE WITH -A OR -LC)
-EBC: BOARD LOCK WITH LOCKING CLIP (SEE FIG. 8 SHT. 2, 9 POS MIN)
-EPC: GUIDE POST WITH LOCKING CLIP (SEE FIG. 7, SHT. 3, 9 POS MIN)
(NOT AVAILABLE WITH -A OR -LC)

- ROW OPTION
-DV: DOUBLE VERTICAL
(USE TMMX-50-D-X-XX)
** ALL OPTIONS EXCEPT THE -EX OPTIONS USE THE TMMC-50-D-X-XX
-EX OPTIONS USE THE TMMH-50-D-X-XX

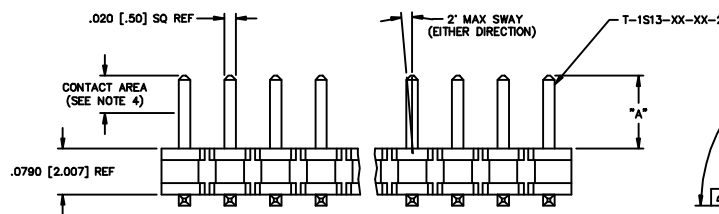
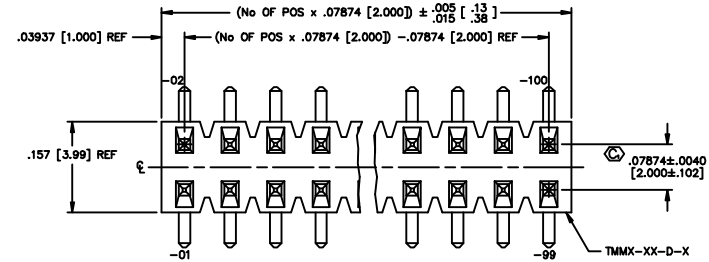


FIG. 1

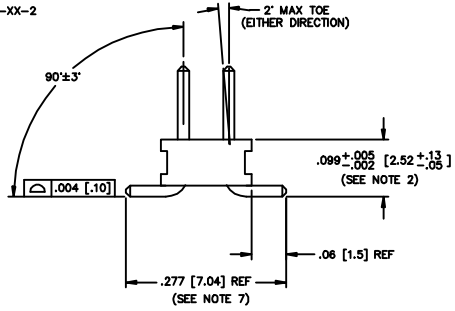
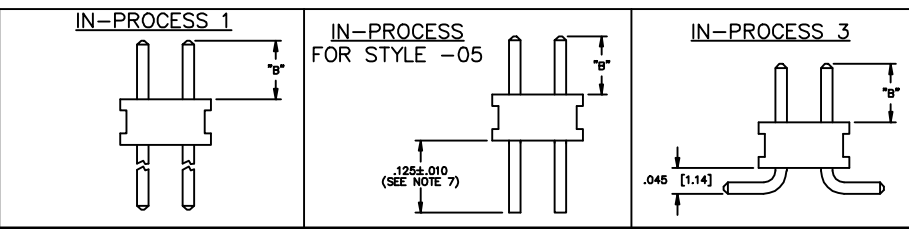
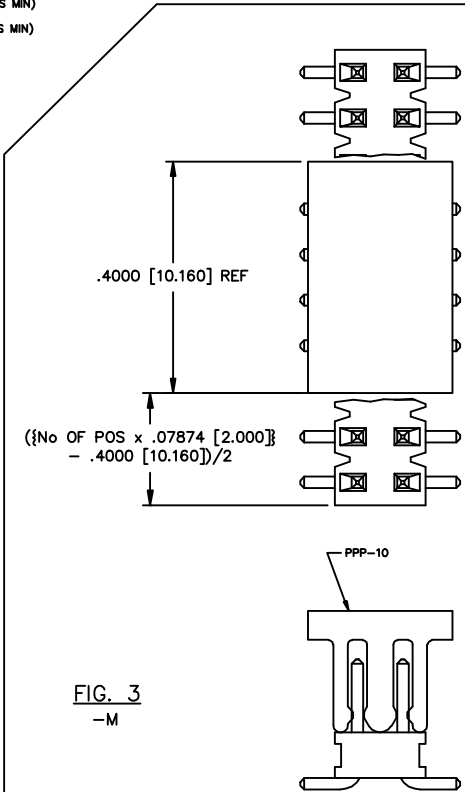


FIG. 3
-M



PROPRIETARY NOTE
THIS DOCUMENT CONTAINS INFORMATION OF SAMTEC AND IS THE PROPERTY OF SAMTEC. IT IS TO BE USED ONLY FOR THE PURPOSES AND IN THE MANNER SPECIFIED HEREIN. IT IS NOT TO BE REPRODUCED, COPIED, OR TRANSMITTED IN ANY FORM OR BY ANY MEANS, ELECTRONIC OR MECHANICAL, INCLUDING PHOTOCOPYING, RECORDING, OR BY ANY INFORMATION STORAGE AND RETRIEVAL SYSTEM, WITHOUT THE WRITTEN PERMISSION OF SAMTEC INC.

MATERIAL:
BODIES:
LCP, UL 94 VO
COLOR: BLACK
TERMINALS:
PHOSPHOR BRONZE, ALLOY

samtec

520 PARK EAST BLVD. NEW ALBANY, INDIANA 47150
PHONE (812) 944-6733 P.O. BOX 1147
CODE 55322

MADE BY: PURVIS 10-08-96
TMMH-1XX-XX-XX-DV-XXX-XXX
SHEET 1 OF 3

X-ON Electronics

Largest Supplier of Electrical and Electronic Components

Click to view similar products for [Headers & Wire Housings](#) category:

Click to view products by [Samtec](#) manufacturer:

Other Similar products are found below :

[95000-104TRLF](#) [10135584-644402LF](#) [DF62W-EP2022PCA](#) [95000-106TRLF](#) [DF62W-2022SCA](#) [DF62W-EP2022PC](#) [2203348](#) [DF62W-2022SC](#) [1084018](#) [1029039](#) [1084017](#) [802-10-012-10-002000](#) [1112640](#) [1112639](#) [000-34000](#) [0009482033](#) [0009507031](#) [57102-S06-03LF](#) [57202-S52-04LF](#) [PCN6-15S-2.5E](#) [0039019024](#) [58102-G61-06LF](#) [582553-1](#) [0009485154](#) [0009508121](#) [0022285053](#) [0050291907](#) [018731A](#) [LY20-4P-DT1-P1E-BR](#) [02.125.8002.8](#) [60101931](#) [60598-1 \(Cut Strip\)](#) [M1625-3R/100](#) [61062-3](#) [61082-181009](#) [636-1427](#) [638009-1](#) [641938-9](#) [641991-4](#) [644168-1](#) [647662-1](#) [65039-019ELF](#) [65817-002LF](#) [65817-015LF](#) [65863-015LF](#) [66207-023LF](#) [67016-026LF](#) [67046-001LF](#) [67095-007LF](#) [67230-005LF](#)