



(2,54mm) .100"

TSW, HTSW SERIES

TSW-116-11-G-S

TSW-108-05-L-Q

# THROUGH-HOLE .025" SQ POST HEADER

**Mates with:**

SSW, SSQ, ESW, ESQ, BCS, BSW, IDSD, IDSS, CES, SLW

**SPECIFICATIONS**

For complete specifications see [www.samtec.com?TSW](http://www.samtec.com?TSW)

**TSW**

**Insulator Material:**

Black Glass Filled Polyester

**Terminal Material:**

Phosphor Bronze

**Plating:**

Au or Sn over 50µ" (1,27µm) Ni

**Operating Temp Range:**

-55°C to +125°C with Gold

-55°C to +105°C with Tin

**Voltage Rating:**

550 VAC mated with SSW;

500 VAC mated with BCS or ESQ;

450 VAC -RA/-RE mated with BCS or SSM

**RoHS Compliant:**

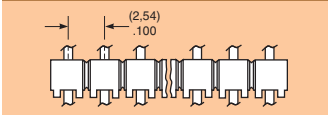
Yes



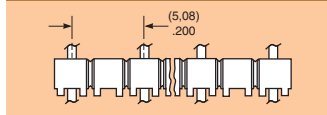
**TSW** = Standard Strip

**HTSW** = Hi-Temp Strip

**-1** = .100" (2,54mm) Centers, All Positions Filled

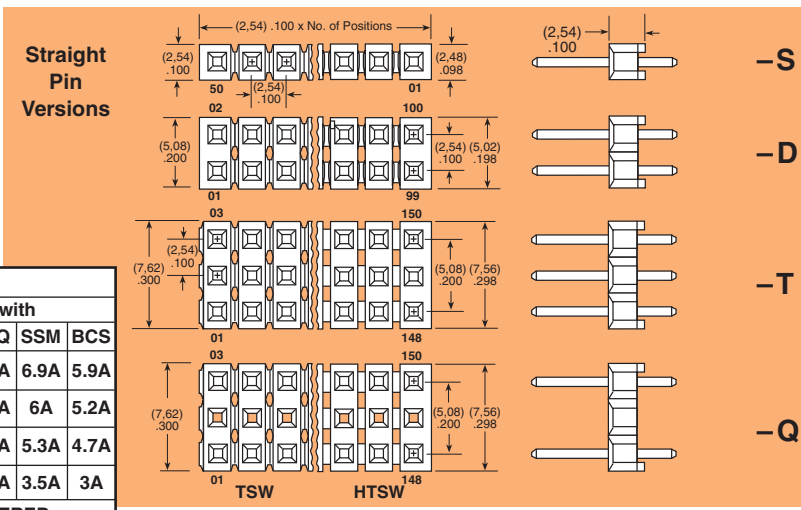


**-2** = .200" (5,08mm) Centers, Every Other Position Filled



AMBIENT TEMP	CURRENT RATING					
	TSW mated with					
	ESW	SSW	SLW	SSQ	SSM	BCS
20°C	6.9A	6.9A	7.1A	7.6A	6.9A	5.9A
40°C	6A	6.1A	6.2A	6.9A	6A	5.2A
60°C	5.3A	5.3A	5.8A	5.9A	5.3A	4.7A
95°C	3.5A	3.5A	3.7A	3.9A	3.5A	3A

6 POSITIONS (2x3) POWERED



**01 thru 50**  
= .100" (2,54mm) Center Version

**Processing:**  
Lead-Free Solderable:  
Wave Only

**SPECIFICATIONS**

For complete specifications see [www.samtec.com?HTSW](http://www.samtec.com?HTSW)

**HTSW**

Same as TSW

except:

**Insulator Material:**

Natural Liquid Crystal Polymer

**Processing:**

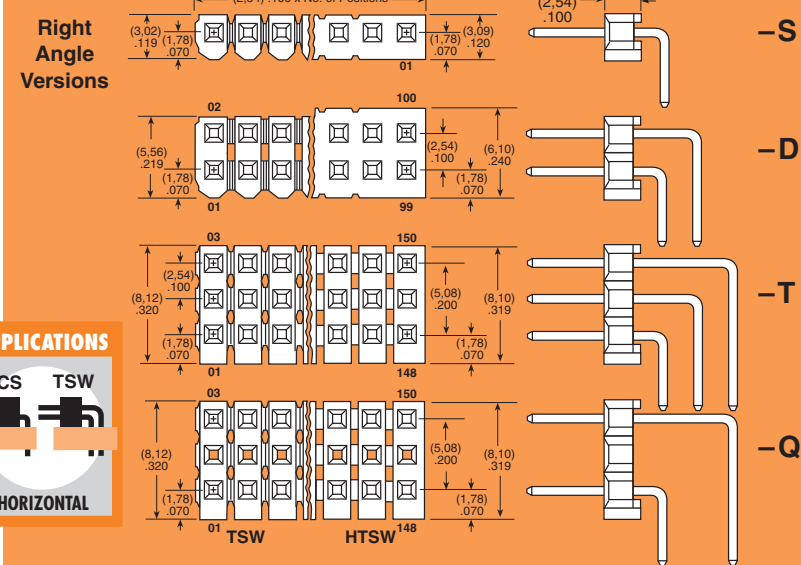
Max Processing Temp:

230°C for 30 to 60 seconds,

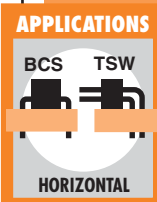
or 260°C for 20 seconds 3x

**Lead-Free Solderable:**

Yes



**02 thru 25**  
= .200" (5,08mm) Center Version

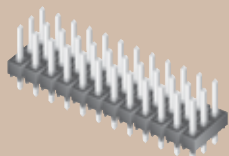


**Note:** Some lengths, styles and options are non-standard, non-returnable.

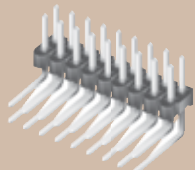
Due to technical progress, all designs, specifications and components are subject to change without notice.

[WWW.SAMTEC.COM](http://WWW.SAMTEC.COM)

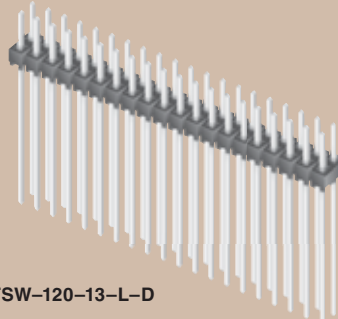
TSW-109-09-F-D-RA



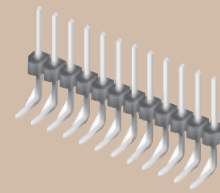
TSW-112-07-G-T



TSW-120-13-L-D



TSW-112-16-T-S-RE



**LEAD STYLE**

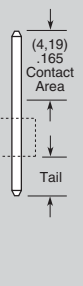
**PLATING OPTION**

**ROW OPTION**

**OTHER OPTIONS**

**ALSO AVAILABLE**

- F**  
= Gold flash on contact area, Matte Tin on tail
- L**  
= 10µ" (0,25µm) Gold on contact area, Matte Tin on tail
- G**  
= 10µ" (0,25µm) Gold on contact area, Gold flash on balance
- T**  
= Matte Tin



Note: Other Gold plating options available. Contact Samtec.

- S**  
= Single Row
- D**  
= Double Row
- T**  
= Triple Row
- Q**  
= Double Row (5,08mm) .200" row space

- RA or -RE**  
= Right Angle
- NA**  
= Right Angle (using straight body for coplanar mating with SSW-RA series)
- LL**  
= Locking Lead

- LC**  
= Locking Clip (Styles -08 thru -13 & -22 only)
- LA**  
= -RA Option with -LL Option
- “XXX”**  
= Polarized Position

Elevated Right Angle option. Call Samtec.

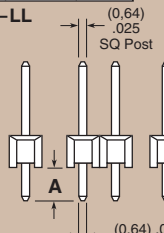
Shunts. See SNT Series

**Straight Pin Versions**

(Specify "LEAD STYLE" from chart)

STYLE	A	B	C	STYLE	A	B	C
* -05	(3,30) .130	(8,51) .335	(2,67) .105	* -18		(23,62) .930	(18,29) .720
* -06	(2,41) .095	(7,62) .300	(2,67) .105	* -19	(2,79) .110	(26,16) 1.030	(20,83) .820
* -07	(2,54) .100	(10,92) .430		* -20		(31,24) 1.230	(25,91) 1.020
* -08	(5,08) .200	(13,46) .530		* -21		(36,32) 1.430	(30,99) 1.220
* -09	(10,16) .400	(18,54) .730		* -22	(7,62) .300	(16,00) .630	(11,30) .230
* -10	(12,70) .500	(21,08) .830	(5,84) .230	* -23	(2,92) .115	(11,30) .445	(6,73) .265
* -11	(15,24) .600	(23,62) .930		* -24	(5,33) .210	(16,00) .630	(8,13) .320
* -12	(17,78) .700	(26,16) 1.030		* -25	(5,33) .210	(16,00) .630	(8,13) .320
* -13	(22,86) .900	(31,24) 1.230		* -26	(3,20) .126	(11,58) .456	
* -14	(2,79) .110	(13,46) .530	(8,13) .320	* -27	(25,40) 1.000	(33,78) 1.330	(5,84) .230
* -15		(18,54) .730	(13,21) .520	* -28	(20,32) .800	(28,70) 1.130	
* -16	(7,87) .310		(8,13) .320	* -29	(23,11) .910	(33,78) 1.330	(8,13) .320
* -17	(2,79) .110	(21,08) .830	(15,74) .620	* -30	(18,03) .710	(28,70) 1.130	
				* -41+	(0,89) .035	(9,27) .365	(5,84) .230
				* -42+	(1,27) .050	(11,94) .470	(8,13) .320

\*Available with -LL (Locking Lead) Option



+ Style -41 & -42 available with HTSW only.

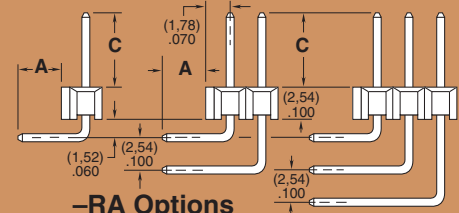
\*\*Except: Style -26 (0,46) .018 DIA Tail

**Right Angle Versions**

(Specify "LEAD STYLE" from chart and select -RA or -RE from other options)

-RA LEAD STYLE	SINGLE (-S)		DOUBLE (-D)	TRIPLE (-T & -Q)	-RE LEAD STYLE	SINGLE A	C
	A	C					
* -08	(2,29) .090		(2,29) .090	(2,29) .090	* -09	(4,83) .190	
* -09	(7,37) .290		(7,37) .290	(7,37) .290	* -10	(7,37) .290	
* -10	(9,91) .390	(5,84) .230	(9,91) .390	(9,91) .390	* -11	(9,91) .390	(5,84) .230
* -11	(12,45) .490		(12,45) .490	(12,45) .490	* -12	(12,45) .490	
* -12	(14,99) .590		(14,99) .590	(14,99) .590	* -13	(17,53) .690	
* -13	(20,07) .790		(20,07) .790	N/A	* -16	(2,54) .100	(8,13) .320
* -16	(5,08) .200	(8,13) .320	(5,08) .200	(5,08) .200	* -21	(22,61) .890	
* -21	(25,15) .990	(5,84) .230	N/A	N/A	* -22	(4,83) .190	(5,84) .230
* -22	(4,83) .190		(4,83) .190	(4,83) .190	* -25	(2,54) .100	(8,13) .320
* -25	(2,54) .100	(8,13) .320	(2,54) .100	(2,54) .100	* -27	(22,61) .890	
* -27	(22,61) .890	(5,84) .230	N/A	N/A	* -28	(17,53) .690	
* -28	(17,53) .690		(17,53) .690	N/A	* -29	(20,32) .800	
* -29	(20,32) .800	(8,13) .320	N/A	N/A	* -30	(15,24) .600	
* -30	(15,24) .600		(15,24) .600				

\*Available with -LA (Locking Lead) Option



-RA Options

-RE Options

Due to technical progress, all designs, specifications and components are subject to change without notice.

WWW.SAMTEC.COM

## X-ON Electronics

Largest Supplier of Electrical and Electronic Components

*Click to view similar products for [Headers & Wire Housings](#) category:*

*Click to view products by [Samtec](#) manufacturer:*

Other Similar products are found below :

[95000-104TRLF](#) [10135584-644402LF](#) [DF62W-EP2022PCA](#) [95000-106TRLF](#) [DF62W-2022SCA](#) [DF62W-EP2022PC](#) [2203348](#) [DF62W-2022SC](#) [1084018](#) [1029039](#) [1084017](#) [802-10-012-10-002000](#) [1112640](#) [1112639](#) [891-007-9SS-BST1T](#) [000-34000](#) [0008550134](#) [0009482033](#) [0009507031](#) [57102-F02-18ULF](#) [57102-S06-03LF](#) [57202-S52-04LF](#) [PCN6-15S-2.5E](#) [0039019024](#) [58102-G61-06LF](#) [582553-1](#) [0009485154](#) [0009508121](#) [009176003701906](#) [0022285053](#) [0050291907](#) [018731A](#) [LY20-4P-DT1-P1E-BR](#) [02.125.8002.8](#) [60101931](#) [60598-1 \(Cut Strip\)](#) [M1625-3R/100](#) [61062-3](#) [61082-181009](#) [CSU011177004](#) [636-1427](#) [638009-1](#) [641938-9](#) [641991-4](#) [644168-1](#) [644827-2](#) [647662-1](#) [65039-019ELF](#) [65692-001LF](#) [65781-018](#)