

REVISION CT

DO NOT SCALE FROM THIS PRINT

UNLESS OTHERWISE NOTED TOLERANCES ARE:
 DIMENSIONS ARE IN INCHES
 ONE PLACE DECIMALS ±.1 [2.5mm] THREE PLACE DECIMALS ±.005 [0.13mm]
 TWO PLACE DECIMALS ±.00 [0.25mm] FOUR PLACE DECIMALS ±.0020 [0.05mm]
 ANGLES ± 2°
 TITLE: HIGH TEMP 2MM SMT BOARD STACKING TERMINAL STRIP ASM
 DWG NO: TW-XX-XX-XXX-X-XXX-SM-XXX-XX
 SHEET 1 OF 3

TABLE 1

LEAD STYLE	TERMINAL	MAX "A" (".08" IS .000 [.00] MIN)	"C" OVERALL PIN LENGTH
-02	T-1S13-02-XXX-2	.309 [7.85]	.377 [9.6]
-03	T-1S13-03-XXX-2	.467 [11.86]	.535 [13.6]
-04	T-1S13-06-XXX-2	.487 [12.37]	.555 [14.1]
-06	T-1S13-10-XXX-2	.605 [15.37]	.673 [17.1]
-07	T-1S13-11-XXX-2	.683 [17.35]	.751 [19.1]
-09	T-1S13-13-XXX-2	.388 [9.86]	.456 [11.6]

- NOTES:
 1. MAX. PIN ROTATION IN BODY: 2°
 2. PUSHOUT FORCE SHALL BE 1 lb MIN.
 3. (C) REPRESENTS A CRITICAL DIMENSION
 4. ALL DIMENSIONS IN BRACKETS [] TO BE MILLIMETERS.
 5. HEIGHT VARIATION BETWEEN ANY TWO PINS SHALL BE .010 MAX
 6. TUBE POSITIONS -04 THROUGH -36 ONLY; BULK PACKAGE -02 & -03. TUBE PLUG MUST BE ALLIGNED WITH INSULATOR. (SEE DETAIL ON PAGE 2)
 7. MOLDED OR STAKED ALIGNMENT PIN AT SAMTEC'S DISCRETION.
 8. SPACE OPTION FROM .170 TO .209 REQUIRES AN ADDITIONAL REPRESS.
 9. NOTE DELETED.
 10. -M OPTION AVAILABLE ON -D ROW ONLY. -M OPTION AVAILABLE ON POSITIONS 4-36 ONLY. -P OPTION AVAILABLE ON 4-36 POSITION ONLY.
 11. DUE TO THE HIGH AMOUNT OF INSERTION FORCE NEEDED, THE -LC OPTION IS NOT COMPATIBLE WITH AUTO PLACEMENT. SAMTEC RECOMMENDS MANUAL PLACEMENT FOR ALL ASSEMBLIES WITH THE -LC OPTION.
 12. -S-A FOR EXISTING BUSINESS ONLY, NEW DESIGNS WILL BE AN ASP.
 13. MAX CUT FLASH: .020 [0.51]

TW-XX-XX-XXX-X-XXX-SM-XXX-XX
 No. OF POSITIONS EXPRESSED IN # OF POS (-02 THRU -36)
 "XX" = No OF POS x .07874 [2.00]
 LEAD STYLE (SEE TABLE 1)
 PLATING
 -G: 20µ" GOLD IN CONTACT AREA, 3µ" GOLD ON TAIL (USE T-1S13-XX-G-2)
 -T: MATTE TIN CONTACT AND TAIL (USE T-1S13-XX-T-2)
 -S: 30µ" GOLD IN CONTACT AREA, MATTE TIN ON TAIL (USE T-1S13-XX-S-2)
 -E: 50µ" GOLD IN CONTACT AREA, 3µ" GOLD ON TAIL (USE T-1S13-XX-E-2)
 -L: 10µ" GOLD IN CONTACT AREA, MATTE TIN ON TAIL (USE T-1S13-XX-L-2)
 -F: 3µ" GOLD IN CONTACT AREA, MATTE TIN ON TAIL (USE T-1S13-XX-F-2)
 -P: 2µ"- 5µ" GOLD IN CONTACT AREA, MATTE TIN ON TAIL (USE T-1S13-XX-P-2)
 -TL: TIN/LEAD (90%/10 +/-5%) CONTACT AND TAIL (USE T-1S13-XX-TL-2)
 -STL: 30µ" GOLD IN CONTACT AREA, TIN/LEAD (90%/10 +/-5%) TAIL
 -LTL: 10µ" GOLD IN CONTACT AREA, (90%/10 +/-5%) TAIL (USE T-1S13-XX-LTL-2)
 -H: 30µ" GOLD IN CONTACT AREA, 3µ" GOLD ON TAIL (USE T-1S13-XX-H-2)
 -SM: 30µ" GOLD IN CONTACT AREA, MATTE TIN ON TAIL (USE T-1S13-XX-S-2)
 -TM: MATTE TIN CONTACT AND TAIL (USE T-1S13-XX-T-2)
 -LM: 10µ" GOLD IN CONTACT AREA, MATTE TIN ON TAIL (USE T-1S13-XX-L-2)
 -FM: 3µ" GOLD IN CONTACT AREA, MATTE TIN ON TAIL (USE T-1S13-XX-F-2)
 ROW OPTION
 -S: SINGLE ROW (USE TMM-50-S)
 -D: DOUBLE ROW (USE TMM-50-D)
 OPTION 1
 -LC: LOCKING CLIP (SEE FIG 2, SHEET 2)(SEE NOTE 11)
 (-D ROW: USE 2TS-XX-D)
 (-S ROW: USE 2TS-XX-SV)
 (.190 MIN BOARD SPACE)
 *-A: MOLDED ALIGNMENT PIN (SEE FIG 3, SHEET 2 & NOTE 7)
 (2 POSITIONS WILL ONLY HAVE ONE ALIGNMENT PIN)
 (-D ROW: USE 2TS-XX-DV-A)
 *(-S ROW: USE 2TS-XX-SV-A)
 (*=SEE NOTE 12)
 (BOTTOM BODY ONLY, USE TMM-50-X FOR TOP)
 STAKED ALIGNMENT PIN (SEE FIG 4, SHEET 2 & NOTE 7)
 (-D ROW ONLY: USE TMM-50-D, 4 POS MIN)
 (.190 MIN BOARD SPACE FOR BOTH)
 -P: PICK & PLACE PAD (SEE NOTE 10)
 (-D ROW: USE PPP-10)
 (-S ROW: USE PPP-11)
 NOTE: "B" = .075 [1.91] MIN FOR THIS OPTION (SEE FIG 6)
 (-D ROW ONLY: USE PPP-10)
 (-S ROW: USE PPP-11)
 NOTE: "B" MUST BE .075 OR GREATER FOR THIS OPTION. (SEE FIG 5)
 -TR: TAPE AND REEL PACKAGING
 (-07 LEAD STYLE NOT AVAILABLE IN T & R)
 (SEE SHEET 3 FOR -S-TR OPTION ORIENTATION VIEW)
 (.475 MAX "A" WHEN COMBINED WITH -P OPTION)
 OPTION 2
 -XXX: POLARIZED POSITION (SPECIFY OMITTED PIN)
 SURFACE MOUNT
 SPACE OPTION (SEE NOTE 8)
 XXX="A" (SEE TABLE 1, .170 [4.32] MIN)
 (*=SEE NOTE 12)

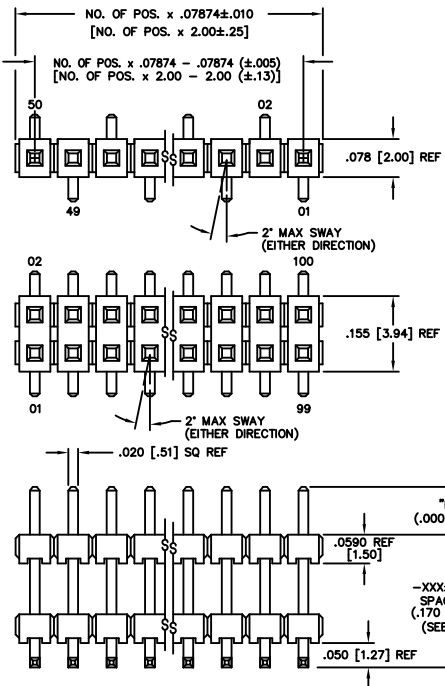
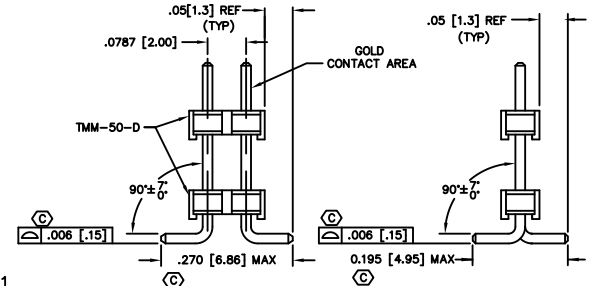
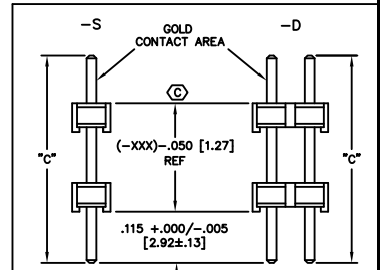


TABLE 2 (SEE NOTE 6)

LEAD STYLE	OPTIONS	TUBE	PLUGS
-02, -04, -07, -09	-D, -D-LC, -D-A	PT-TW001-D-SM	TP-38
-03	-D, -D-LC, -D-A	PT-TW001-D-SM	TP-38
ALL	-S, -S-LC, -S-A	PT-TW002-S-SM	TP-12
-02-09	-D-A-P, -D-LC-P, -D-P, -D-LC-M, -D-A-M, -D-M	PT-TW001-D-SM	TP-38
-03-04	-D-A-P, -D-LC-P, -D-P, -D-LC-M, -D-A-M, -D-M	PT-TW001-D-SM	TP-38
-07	-D-A-P, -D-LC-P, -D-P, -D-LC-M, -D-A-M, -D-M	PT-TW001-D-SM	TP-38
-02-09	-S-LC-P, *-S-A-P	PT-TW002-S-SM	TP-12
-03-04	-S-LC-P, *-S-A-P, -S-P	PT-TW002-S-SM	TP-12
-07	-S-LC-P, *-S-A-P, -S-P	PT-TW002-S-SM	TP-12
-06	-D-LC	PT-TW001-D-SM	TP-38
-06	NONE, -A, -D	PT-TW001-D-SM	TP-38
-06	-D-A-P, -D-LC-P, -D-P, -D-LC-M, -D-A-M	PT-TW001-D-SM	TP-38
-06	-S-LC-P, -S-A-P, -S-P	PT-TW002-S-SM	TP-12
-06	-D-M	PT-1-24-16-29	TP-38



PATENT NUMBERS
 5713755 / 5961339



PROPRIETARY NOTE:
 THE REPRODUCING, COPYING, OR
 TRANSMITTING OF THIS DOCUMENT
 WITHOUT THE WRITTEN CONSENT OF
 SAMTEC IS PROHIBITED. ALL RIGHTS
 RESERVED BY SAMTEC. THE REPRODUCING
 OF THIS DOCUMENT FOR ANY OTHER
 PURPOSES WITHOUT THE WRITTEN
 CONSENT OF SAMTEC IS PROHIBITED.
 SAMTEC HAS EXPRESS WRITTEN CONSENT OF
 SAMTEC, INC.

MATERIAL:
 INSULATOR:
 LIQUID CRYSTAL POLYMER
 COLOR: BLACK
 TERMINALS:
 PHOSPHOR BRONZE

IN-PROCESS
 samtec
 520 PARK EAST BLVD. NEW ALBANY, INDIANA 47150
 PHONE (812) 944-8733 P.O. BOX 1147
 CODE 55322
 MADE BY:
 BRYANT 3-8-93 TW-XX-XX-XXX-X-XXX-SM-XXX-XX

FIG 1

X-ON Electronics

Largest Supplier of Electrical and Electronic Components

Click to view similar products for [Headers & Wire Housings](#) category:

Click to view products by [Samtec](#) manufacturer:

Other Similar products are found below :

[95000-104TRLF](#) [10135584-644402LF](#) [DF62W-EP2022PCA](#) [95000-106TRLF](#) [DF62W-2022SCA](#) [DF62W-EP2022PC](#) [2203348](#) [DF62W-2022SC](#) [1084018](#) [1029039](#) [1084017](#) [802-10-012-10-002000](#) [1112640](#) [1112639](#) [891-007-9SS-BST1T](#) [000-34000](#) [0008550134](#) [0009482033](#) [0009507031](#) [57102-F02-18ULF](#) [57102-S06-03LF](#) [57202-S52-04LF](#) [PCN6-15S-2.5E](#) [0039019024](#) [58102-G61-06LF](#) [582553-1](#) [0009485154](#) [0009508121](#) [0022285053](#) [0050291907](#) [018731A](#) [LY20-4P-DT1-P1E-BR](#) [02.125.8002.8](#) [60101931](#) [60598-1 \(Cut Strip\)](#) [M1625-3R/100](#) [61062-3](#) [61082-181009](#) [CSU011177004](#) [636-1427](#) [638009-1](#) [641938-9](#) [641991-4](#) [644168-1](#) [644827-2](#) [647662-1](#) [65039-019ELF](#) [65692-001LF](#) [65781-018](#) [65781-047](#)