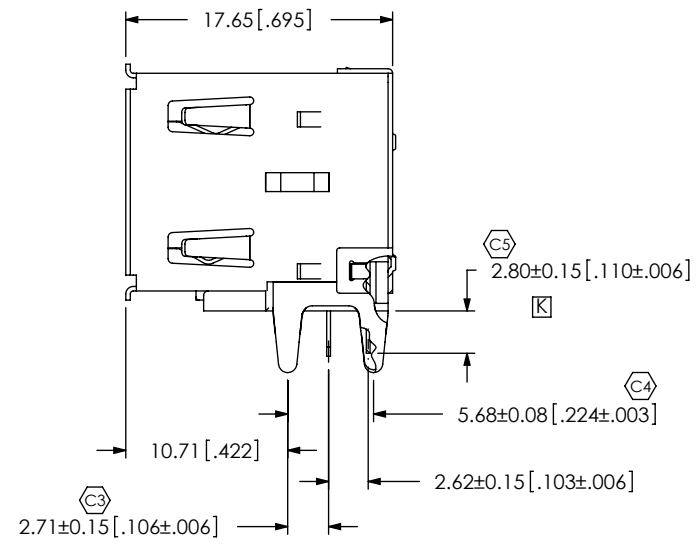
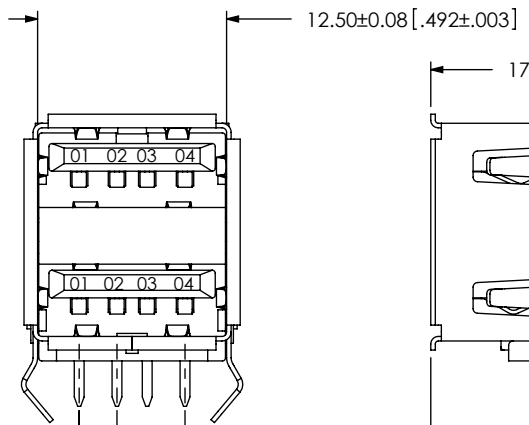
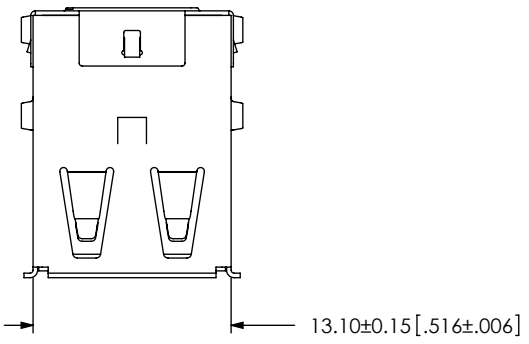


DESIGNED & DIMENSIONED
IN MILLIMETERS [INCHES]

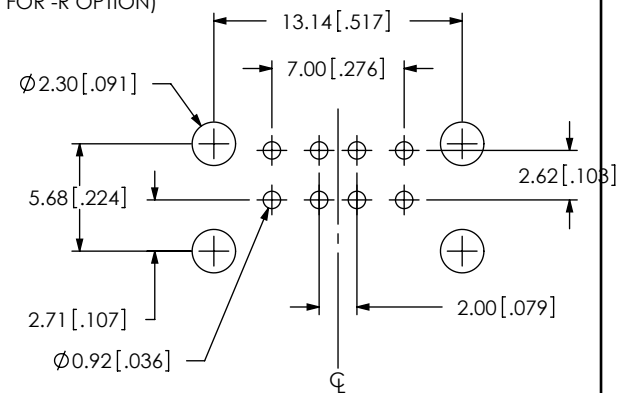


- Ⓢ1 2.50±0.05 [0.098±0.002]
- Ⓢ2 7.00±0.15 [0.276±0.006]

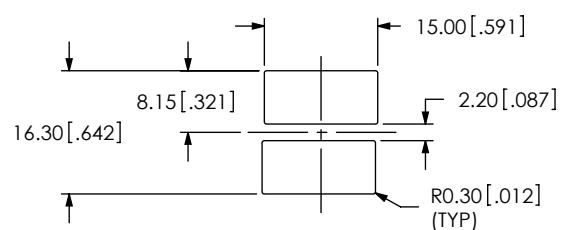
USB-A-D-X-X-TH-X

- TYPE
-A
- CONFIGURATION
-D: DOUBLE
- OPTION
-R: ROHS COMPLIANT
- TERMINATION
-TH: THROUGH HOLE
- COLOR
-B: BLACK
-W: WHITE

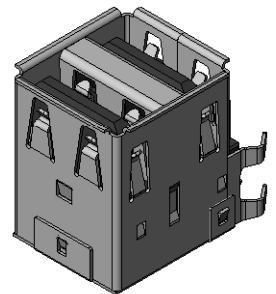
- PLATING SPECIFICATION
- Ⓢ6 -F: GOLD FLASH ON MATING AREA
MATTE TIN ON TAILS (100U" MIN)
WITH NICKEL UNDERPLATE
(SEE NOTE 3 FOR -R OPTION)
 - S: SELECTIVE, .000030 GOLD ON MATING AREA
MATTE TIN ON TAILS (100U" MIN)
WITH NICKEL UNDERPLATE
(SEE NOTE 3 FOR -R OPTION)



RECOMMENDED PCB LAYOUT
TOP VIEW



REFERENCE PANEL CUT OUT
DIMENSION



- NOTES:
1. Ⓢ REPRESENTS A CRITICAL DIMENSION.
 2. DELETED
 3. ALL PARTS ARE ROHS COMPLIANT WITH OR WITHOUT -R.

UNLESS OTHERWISE SPECIFIED,
DIMENSIONS ARE IN MM.
TOLERANCES ARE:
DECIMALS ANGLES
.X: ±.3 [0.1] 2°
.XX: ±.13 [0.005]
.XXX: ±.051 [0.0020]

PROPRIETARY NOTE
THIS DOCUMENT CONTAINS INFORMATION
CONFIDENTIAL AND PROPRIETARY TO
SAMTEC, INC. AND SHALL NOT BE REPRODUCED
OR TRANSFERRED TO OTHER DOCUMENTS OR
DISCLOSED TO OTHERS OR USED FOR ANY
PURPOSE OTHER THAN THAT WHICH IT WAS
OBTAINED WITHOUT THE EXPRESSED WRITTEN
CONSENT OF SAMTEC, INC.

520 PARK EAST BLVD, NEW ALBANY, IN 47150
PHONE: 812-944-6733 FAX: 812-948-5047
e-Mail: info@SAMTEC.com code: 55322

MATERIAL: DO NOT SCALE DRAWING SHEET SCALE: 2:1
INSULATOR: PBT
CONTACT: PHOS BRONZE

DESCRIPTION:
USB A, DOUBLE, THROUGH HOLE
DWG. NO. **USB-A-D-X-X-TH-X**

X-ON Electronics

Largest Supplier of Electrical and Electronic Components

Click to view similar products for [USB Connectors](#) category:

Click to view products by [Samtec](#) manufacturer:

Other Similar products are found below :

[65-647-8-BK-BU](#) [950](#) [952](#) [E8144-B01021-L](#) [A-USB B-TOP-C](#) [MUSBA511N5](#) [MUSBD11135](#) [217450-1](#) [KMBVX-TH-5S-B30](#) [896-30-004-00-000000](#) [KUSBVX-BS1N-W30](#) [KUSBX-AP-KIT-SCBLK](#) [KUSBX-AS2N-W](#) [KUSBX-SMT2AP1S-W](#) [KUSBX-SMT2AP1S-W30](#) [935](#) [957](#) [30-498-6](#) [SK-60A-2](#) [17-210051](#) [1734082-1](#) [30-1574](#) [30-470](#) [30-489](#) [30-541](#) [30-572-3](#) [A-USB A-2P-C](#) [MIKROE-1451](#) [USBFTV2PEM2G](#) [USBFTVC6ZN](#) [KUSBX-AS2N-W30](#) [KUSBX-SLAS1N-W](#) [KUSBX-SMT-AS1N-W30](#) [4689-1](#) [1-1734084-2](#) [E8110-001-01](#) [33UBARS1-04SW11](#) [33UBAR-04SW11](#) [USBF21ZNSCC](#) [USBBFTV6ZC](#) [10135326-001LF](#) [USB-A-S-F-B-VT](#) [925](#) [4198](#) [690-024-633-031](#) [KUSBEX-BSFS1N-W](#) [USBFTVC6MRG](#) [UA-20BMFA-SL8001](#) [17-250101](#) [USBFTVC7ZC](#)