

NOTES:

1. Ⓢ REPRESENTS A CRITICAL DIMENSION.
2. VERIFY -S PLATING, VISUALLY CHECK -F ONLY.
3. ALL PARTS ARE ROHS COMPLIANT WITH OR WITHOUT -R.
4. PARTS TO BE PACKAGED IN TRAYS

USB-AM-S-X-X-TH-X

TYPE  
-AM

CONFIGURATION  
-S: SINGLE

E/OPTION  
-R: RoHS COMPLIANT - LEAD FREE

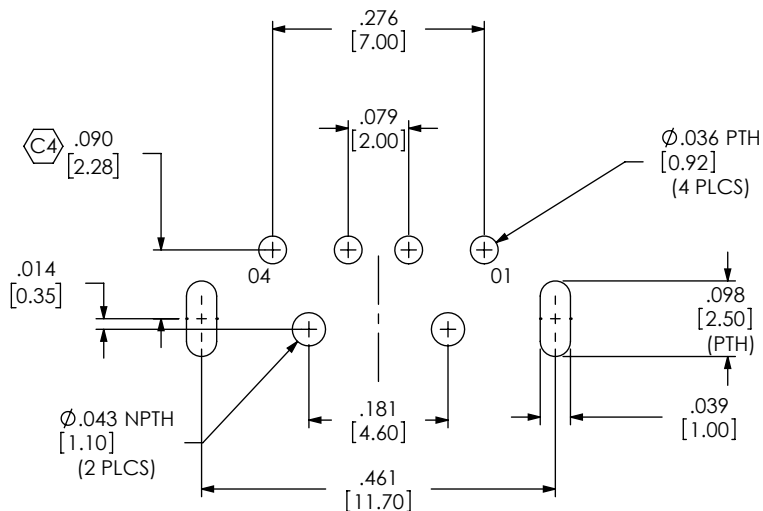
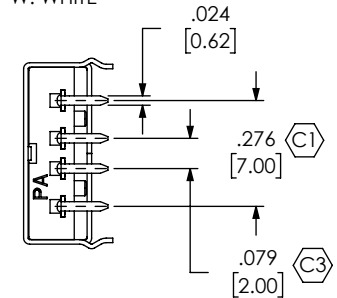
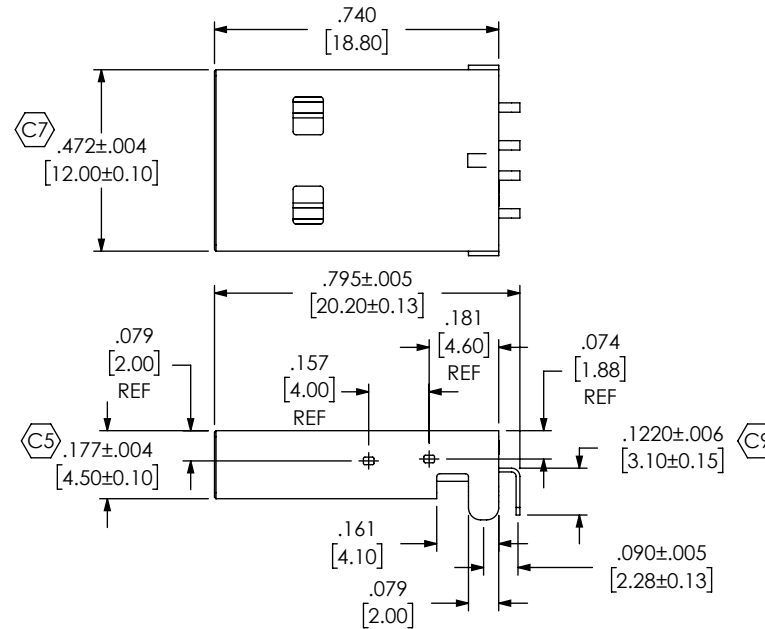
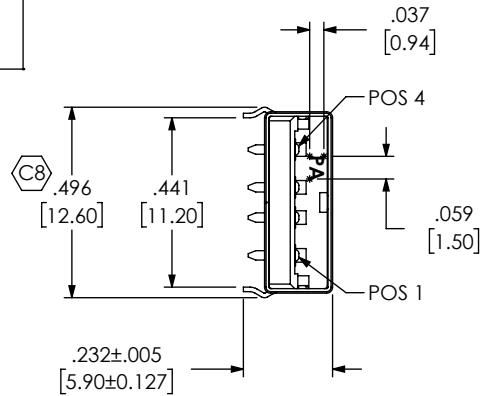
RA TERMINATION  
-TH: THROUGH HOLE

COLOR  
-B: BLACK  
-W: WHITE

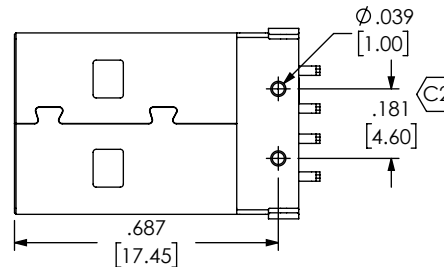
PLATING

- F: GOLD FLASH ON MATING AREA, BRIGHT ACID TIN ON TAILS (100U" MIN) W/ NICKEL UNDERPLATE (SEE NOTE 3 FOR -RC)
- S: .000030" GOLD ON MATING AREA, BRIGHT ACID TIN ON TAILS (100U" MIN) W/ NICKEL UNDERPLATE (SEE NOTE 3 FOR -RC)

DO NOT SCALE FROM THIS PRINT



RECOMMENDED PCB LAYOUT



UNLESS OTHERWISE SPECIFIED, DIMENSIONS ARE IN INCHES.

TOLERANCES ARE:

DECIMALS	ANGLES
.X: ±.01 [0.30]	2°
.XX: ±.008 [0.20]	
.XXX: ±.005 [0.13]	

PROPRIETARY NOTE

THIS DOCUMENT CONTAINS CONFIDENTIAL AND PROPRIETARY INFORMATION AND ALL DESIGN, MANUFACTURING, REPRODUCTION, USE, PATENT RIGHTS AND SALES RIGHTS ARE EXPRESSLY RESERVED BY SAMTEC, INC. THIS DOCUMENT SHALL NOT BE DISCLOSED, IN WHOLE OR PART, TO ANY UNAUTHORIZED PERSON OR ENTITY NOR REPRODUCED, TRANSFERRED OR INCORPORATED IN ANY OTHER PRODUCT IN ANY MANNER WITHOUT THE EXPRESS WRITTEN CONSENT OF SAMTEC, INC.



520 PARK EAST BLVD, NEW ALBANY, IN 47150  
PHONE: 812-944-6733 FAX: 812-948-5047  
e-Mail: info@SAMTEC.com code: 55322

MATERIAL: DO NOT SCALE DRAWING SHEET SCALE: 2:1

INSULATOR: PA 9T

CONTACT OR TERMINAL: PHOS BRONZE

BACK SHIELD: NICKEL PLATED PHOS BRONZE

FRONT SHIELD: TIN PLATED PHOS BRONZE

MAX FLASH ALLOWED: .051

MAX GATE VESTIGE: .051

PLDWG\MISC\SAMTEC\USB-AM-S-X-X-TH-X-MKT.3LDDRW

DESCRIPTION: USB RIGHT ANGLE, 4 PIN, TYPE A, SINGLE-FOOT 1MM

DWG. NO. **USB-AM-S-X-X-TH-X**

BY: LENNY K 10/19/06 SHEET 1 OF 1

## X-ON Electronics

Largest Supplier of Electrical and Electronic Components

*Click to view similar products for [USB Connectors](#) category:*

*Click to view products by [Samtec](#) manufacturer:*

Other Similar products are found below :

[65-647-8-BK-BU](#) [950](#) [952](#) [E8144-B01021-L](#) [A-USB B-TOP-C](#) [MUSBA511N5](#) [MUSBD11135](#) [217450-1](#) [KMBVX-TH-5S-B30](#) [896-30-004-00-000000](#) [KUSBVX-BS1N-W30](#) [KUSBX-AP-KIT-SCBLK](#) [KUSBX-AS2N-W](#) [KUSBX-SMT2AP1S-W](#) [KUSBX-SMT2AP1S-W30](#) [935](#) [957](#) [30-498-6](#) [SK-60A-2](#) [17-210051](#) [1734082-1](#) [30-1574](#) [30-470](#) [30-489](#) [30-541](#) [30-572-3](#) [A-USB A-2P-C](#) [MIKROE-1451](#) [USBFTV2PEM2G](#) [USBFTVC6ZN](#) [KUSBX-AS2N-W30](#) [KUSBX-SLAS1N-W](#) [KUSBX-SMT-AS1N-W30](#) [4689-1](#) [1-1734084-2](#) [E8110-001-01](#) [33UBARS1-04SW11](#) [33UBAR-04SW11](#) [USBF21ZNSCC](#) [USBBFTV6ZC](#) [10135326-001LF](#) [USB-A-S-F-B-VT](#) [925](#) [4198](#) [690-024-633-031](#) [KUSBEX-BSFS1N-W](#) [USBFTVC6MRG](#) [UA-20BMFA-SL8001](#) [17-250101](#) [USBFTVC7ZC](#)