

DO NOT SCALE FROM THIS PRINT

USB-A-S-X-X-TH-X

TYPE
-A

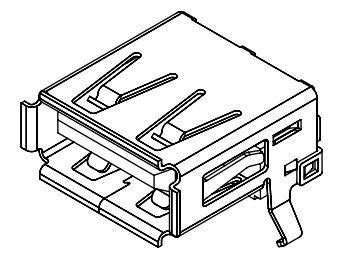
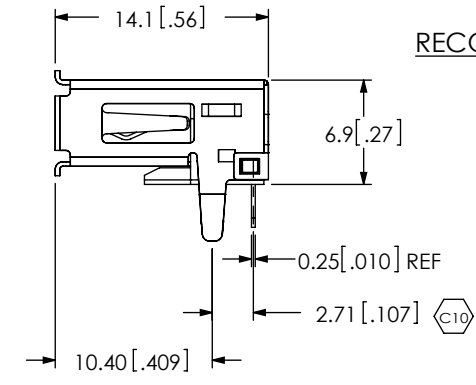
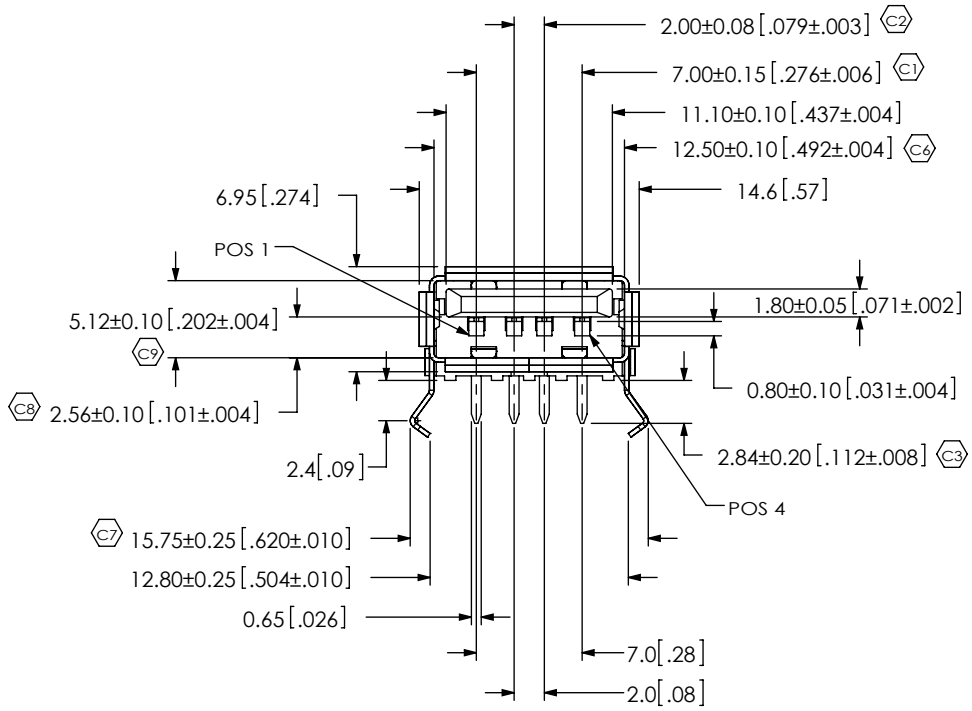
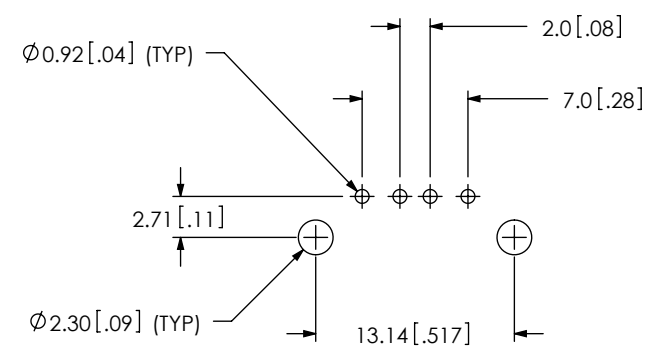
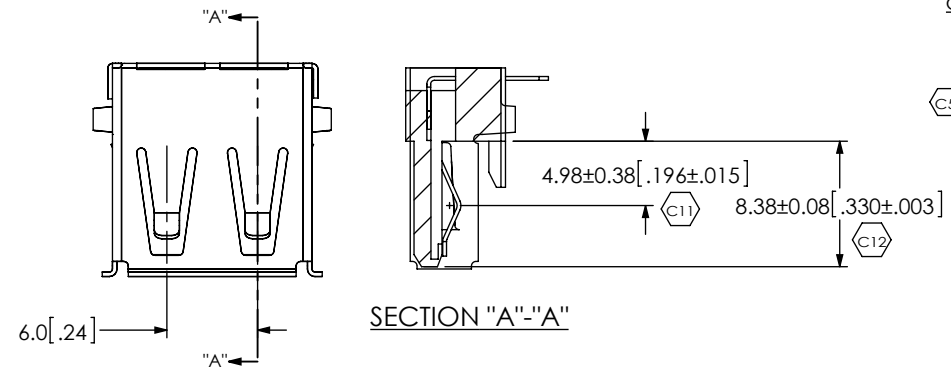
CONFIGURATION
-S: SINGLE

PLATING SPECIFICATION
 C5 -F: GOLD FLASH ON MATING AREA
 MATTE TIN ON TAILS
 -S: SELECTIVE, .000030 GOLD ON MATING AREA
 MATTE TIN ON TAILS


E&I OPTION
-R: RoHS COMPLIANT

TERMINATION
-TH: THRU HOLE

COLOR
-B: BLACK
-W: WHITE



- NOTES:
1. C REPRESENTS A CRITICAL DIMENSION.
 2. NOTE DELETED.

UNLESS OTHERWISE SPECIFIED, DIMENSIONS ARE IN MM[IN]. TOLERANCES ARE: DECIMALS ANGLES .X: ±.3 [.01] 2° .XX: ±.13 [.005] .XXX: ±.05 [.0020]	PROPRIETARY NOTE THIS DOCUMENT CONTAINS INFORMATION CONFIDENTIAL AND PROPRIETARY TO SAMTEC, INC. AND SHALL NOT BE REPRODUCED OR TRANSFERRED TO OTHER DOCUMENTS OR DISCLOSED TO OTHERS OR USED FOR ANY PURPOSE OTHER THAN THAT WHICH IT WAS OBTAINED WITHOUT THE EXPRESSED WRITTEN CONSENT OF SAMTEC, INC.		
		520 PARK EAST BLVD, NEW ALBANY, IN 47150 PHONE: 812-944-6733 FAX: 812-948-5047 e-Mail: info@SAMTEC.com code: 55322	
MATERIAL: DO NOT SCALE DRAWING SHEET SCALE: 2:1	DESCRIPTION: USB A, SINGLE, THRU HOLE	DWG. NO. USB-A-S-X-X-TH-X	
INSULATOR: PBT, (RATED UL 94V-0) CONTACT: PHOSPHOR BRONZE SHIELD: BRASS, NICKEL PLATED MAX FLASH ALLOWED: .05 MAX GATE VESTIGE: .05	BY: TIM P. 1/11/06 SHEET 1 OF 1		

X-ON Electronics

Largest Supplier of Electrical and Electronic Components

Click to view similar products for [USB Connectors](#) category:

Click to view products by [Samtec](#) manufacturer:

Other Similar products are found below :

[65-647-8-BK-BU](#) [950](#) [952](#) [E8144-B01021-L](#) [A-USB B-TOP-C](#) [MUSBA511N5](#) [MUSBD11135](#) [217450-1](#) [KMBVX-TH-5S-B30](#) [896-30-004-00-000000](#) [KUSBVX-BS1N-W30](#) [KUSBX-AP-KIT-SCBLK](#) [KUSBX-AS2N-W](#) [KUSBX-SMT2AP1S-W](#) [KUSBX-SMT2AP1S-W30](#) [935](#) [957](#) [30-498-6](#) [SK-60A-2](#) [17-210051](#) [1734082-1](#) [30-1574](#) [30-470](#) [30-489](#) [30-541](#) [30-572-3](#) [A-USB A-2P-C](#) [MIKROE-1451](#) [USBFTV2PEM2G](#) [USBFTVC6ZN](#) [KUSBX-AS2N-W30](#) [KUSBX-SLAS1N-W](#) [KUSBX-SMT-AS1N-W30](#) [4689-1](#) [1-1734084-2](#) [E8110-001-01](#) [33UBARS1-04SW11](#) [33UBAR-04SW11](#) [USBF21ZNSCC](#) [USBBFTV6ZC](#) [10135326-001LF](#) [M9177/3-1](#) [USB-A-S-F-B-VT](#) [925](#) [4198](#) [690-024-633-031](#) [KUSBEX-BSFS1N-W](#) [USBFTVC6MRG](#) [UA-20BMFA-SL8001](#) [17-250101](#)