

USB-A-D-S-B-TH

USB-A-S-F-O-TH



USB-AM-S-F-W-TH



USB-A-S-F-B-VU

USB-A, USBR-A, USB-AM SERIES

STANDARD & RUGGED USB 2.0

SPECIFICATIONS

For complete specifications and recommended PCB layouts see www.samtec.com?USB-A, www.samtec.com?USBR-A or www.samtec.com?USB-AM

Insulator Material:

High Temperature Thermoplastic

Contact Material:

Phosphor Bronze

Plating:

Gold on Contacts, Nickel on Shell, Tin on Tails

Operating Temp Range:

-50°C to +85°C

Voltage Rating:

30 VAC

Contact Resistance:

30 mΩ

Cycles:

1500 (max tested)

Packaging:

Packaged and shipped in Bulk Packaging Trays; Trays suitable for automation available

RoHS Compliant:

Yes

Lead-Free Solderable

-SM1=Yes

-TH, -VU & -VT=Yes

(Wave Solder only)

TID Numbers (USB-A):

USB-A-D-X-X-TH (61001199)

USB-A-S-X-X-TH (61001180)

USB-A-S-X-X-SM2 (61001152)

USB-A-S-X-X-VT (61001153)

TID Number (USB-AM):

USB-AM-S-X-X-SM (61001154)

TYPE

A

SHELL TYPE

PLATING

COLOR

TERMINATION

USB
= Standard Connector

USBR
= Increased Retention Connector (Complies with Class 1, DIV II minimum withdrawal requirement of 15N.)

-S
= Single

-D
= Double (-TH option only)

-F
= Gold Flash on Mating Area, Tin on Tails

-S
= 30µ" (0,76 µm) Gold on Mating Area, Tin on Tails

-B
= Black (USB only)

-W
= White (USB only)

-O
= Orange (USBR only)

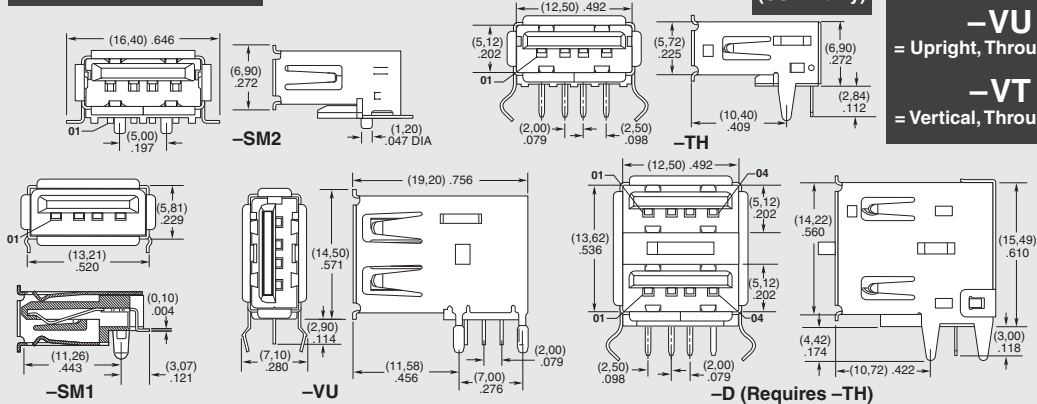
-TH
= Through-hole

-SM1
= Offset Surface Mount

-SM2
= Surface Mount (USB only)

-VU
= Upright, Through-Hole

-VT
= Vertical, Through-Hole



RECOGNITIONS

For complete scope of recognitions see www.samtec.com/quality



FILE NO. E111594

USB

TYPE

SHELL TYPE

PLATING

COLOR

TERMINATION

-AM
= A Type (Plug)

-S
= Single

-F
= Gold Flash on Mating Area, Tin on Tails

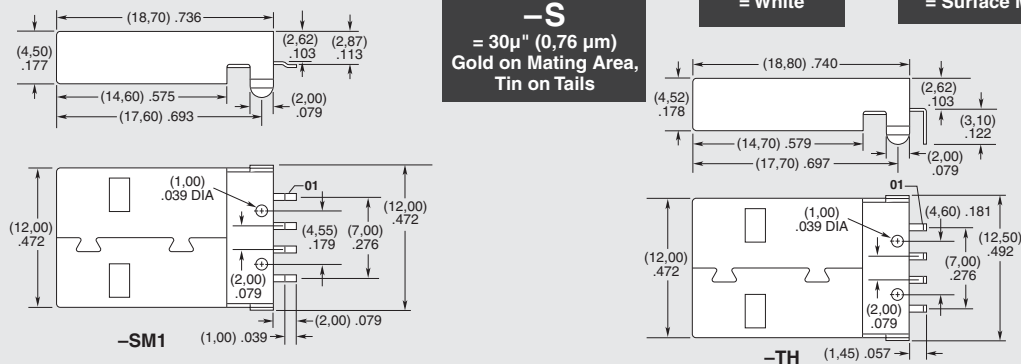
-S
= 30µ" (0,76 µm) Gold on Mating Area, Tin on Tails

-B
= Black

-W
= White

-TH
= Through-hole

-SM1
= Surface Mount



X-ON Electronics

Largest Supplier of Electrical and Electronic Components

Click to view similar products for [Modular Connectors](#) / [Ethernet Connectors](#) category:

Click to view products by [Samtec](#) manufacturer:

Other Similar products are found below :

[RJE231881317T](#) [MP1010RX-1000](#) [MP44RX-1000](#) [GAX-3-66](#) [GAX-8-62](#) [93606-0253](#) [GD-A-44](#) [GDCX-PA-66-50](#) [GDCX-PN-64](#) [GDCX-PN-66](#) [GDCX-PN-66-50](#) [GDLX-A-66](#) [GDLX-A-88](#) [GDLX-N-66](#) [GDLX-S-88K](#) [GDTX-S-88-50](#) [GDX-PA-1010](#) [GLX-N-1010M-BLK](#) [GLX-N-44M](#) [GLX-S-88M-BLK](#) [GMX-N-1010](#) [GMX-S-1010](#) [GMX-S-66](#) [GMX-SMT2-N-1010](#) [GMX-SMT2-N-64-50](#) [GMX-SMT2-S6-88](#) [GMX-SMT4-N-88](#) [GPX-2-64](#) [GRT1-BT1-5](#) [GSGX-N-2-88](#) [GSX-NS2-88-3.05](#) [GSX-NS2-88-3.05-50](#) [GSX-NS-88-3.05-30](#) [GSX-NS-88-3.05-50](#) [GSX-NS-88-3.68](#) [1-1775629-2](#) [GWLX-S-88-GR](#) [GWLX-S9-88-YG](#) [1300500326](#) [1300500227](#) [1300530003](#) [1300570002](#) [1324640-4](#) [RJ11FTVC2G](#) [RJ11FTVC2N](#) [RJFTVX2SA1G](#) [132764-001](#) [1400000](#) [1413176](#) [1413235](#)