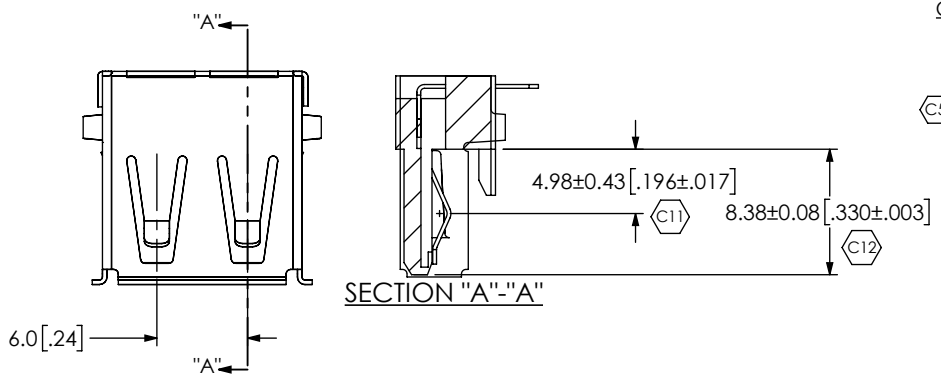


DO NOT SCALE FROM THIS PRINT



USB-A-S-X-X-TH-X

TYPE
-A

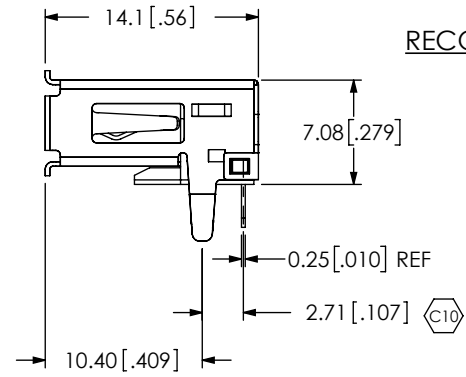
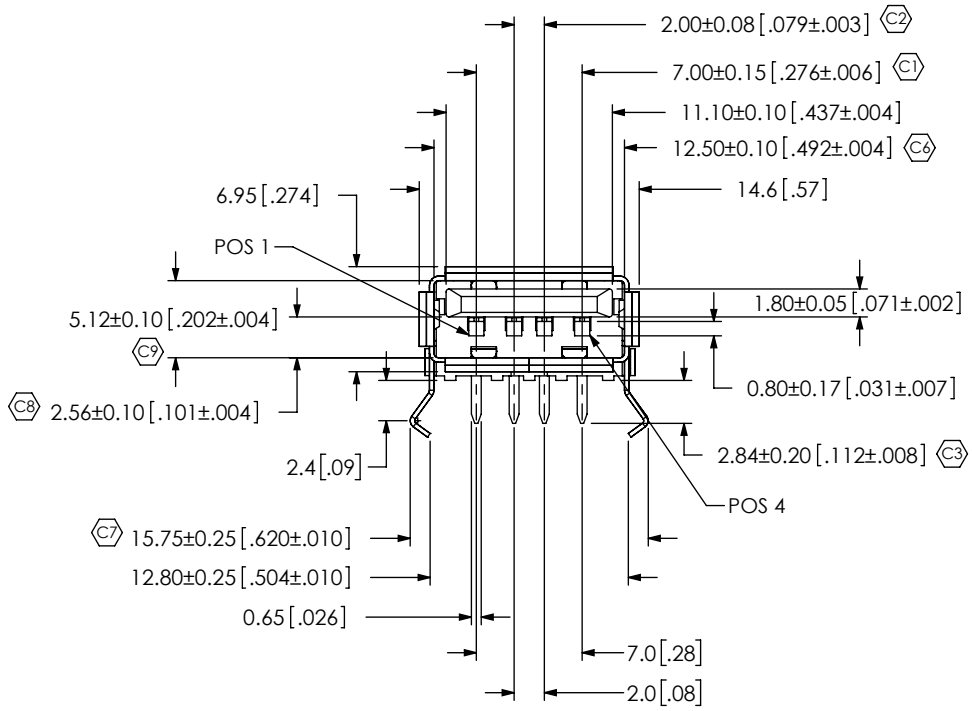
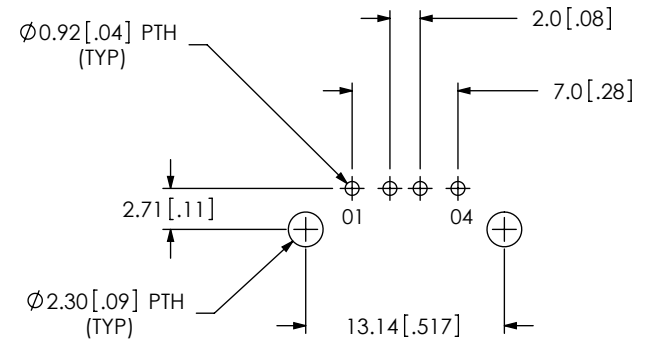
CONFIGURATION
-S: SINGLE

E&I OPTION
-R: RoHS COMPLIANT

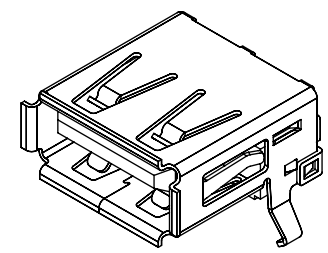
TERMINATION
-TH: THRU HOLE

COLOR
-B: BLACK
-W: WHITE

PLATING SPECIFICATION
C5 -F: GOLD FLASH ON MATING AREA
MATTE TIN ON TAILS
-S: SELECTIVE, .000030 GOLD ON MATING AREA
MATTE TIN ON TAILS



RECOMMENDED PCB LAYOUT



- NOTES:
1. C REPRESENTS A CRITICAL DIMENSION.
 2. NOTE DELETED.
 3. PARTS TO BE PACKAGED IN TRAYS

UNLESS OTHERWISE SPECIFIED, DIMENSIONS ARE IN MM(IN).
TOLERANCES ARE:
DECIMALS ANGLES
.X: ±.3 [.01] 2°
.XX: ±.13 [.005]
.XXX: ±.051 [.0020]

PROPRIETARY NOTE
THIS DOCUMENT CONTAINS CONFIDENTIAL AND PROPRIETARY INFORMATION AND ALL DESIGN, MANUFACTURING, REPRODUCTION, USE, PATENT RIGHTS AND SALES RIGHTS ARE EXPRESSLY RESERVED BY SAMTEC, INC. THIS DOCUMENT SHALL NOT BE DISCLOSED, IN WHOLE OR PART, TO ANY UNAUTHORIZED PERSON OR ENTITY NOR REPRODUCED, TRANSFERRED OR INCORPORATED IN ANY OTHER PROJECT IN ANY MANNER WITHOUT THE EXPRESS WRITTEN CONSENT OF SAMTEC, INC.



520 PARK EAST BLVD, NEW ALBANY, IN 47150
PHONE: 812-944-6733 FAX: 812-948-5047
e-Mail: info@SAMTEC.com code: 55322

MATERIAL: DO NOT SCALE DRAWING SHEET SCALE: 2:1
INSULATOR: PBT, (RATED UL 94V-0)
CONTACT: PHOSPHOR BRONZE
SHIELD: BRASS, NICKEL PLATED
MAX FLASH ALLOWED: .05
MAX GATE VESTIGE: .05

DESCRIPTION:
USB A, SINGLE, THRU HOLE

DWG. NO.
USB-A-S-X-X-TH-X

BY: TIM P. 1/11/06 SHEET 1 OF 1

X-ON Electronics

Largest Supplier of Electrical and Electronic Components

Click to view similar products for [USB Connectors](#) category:

Click to view products by [Samtec](#) manufacturer:

Other Similar products are found below :

[65-647-8-BK-BU](#) [950](#) [952](#) [E8144-B01021-L](#) [A-USB B-TOP-C](#) [MUSBA511N5](#) [MUSBD11135](#) [217450-1](#) [KMBVX-TH-5S-B30](#) [896-30-004-00-000000](#) [KUSBVX-BS1N-W30](#) [KUSBX-AP-KIT-SCBLK](#) [KUSBX-AS2N-W](#) [KUSBX-SMT2AP1S-W](#) [KUSBX-SMT2AP1S-W30](#) [935](#) [957](#) [30-498-6](#) [SK-60A-2](#) [17-210051](#) [1734082-1](#) [30-1574](#) [30-470](#) [30-489](#) [30-541](#) [30-572-3](#) [A-USB A-2P-C](#) [MIKROE-1451](#) [USBFTV2PEM2G](#) [USBFTVC6ZN](#) [KUSBX-AS2N-W30](#) [KUSBX-SLAS1N-W](#) [KUSBX-SMT-AS1N-W30](#) [4689-1](#) [1-1734084-2](#) [E8110-001-01](#) [33UBARS1-04SW11](#) [33UBAR-04SW11](#) [USBF21ZNSCC](#) [USBBFTV6ZC](#) [10135326-001LF](#) [M9177/3-1](#) [USB-A-S-F-B-VT](#) [925](#) [4198](#) [690-024-633-031](#) [KUSBEX-BSFS1N-W](#) [USBFTVC6MRG](#) [UA-20BMFA-SL8001](#) [17-250101](#)