

DO NOT SCALE FROM THIS PRINT

USB-A-S-X-X-VT-X

TYPE
-A

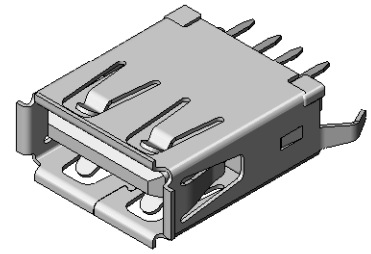
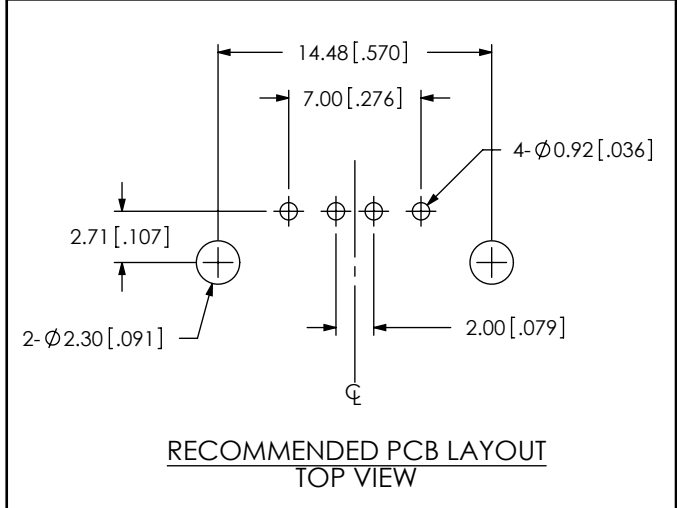
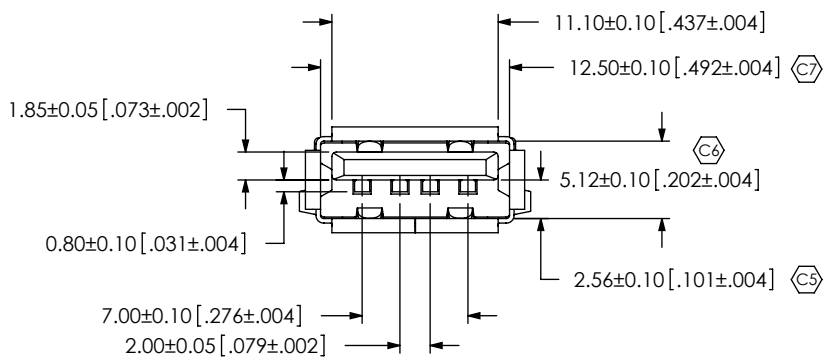
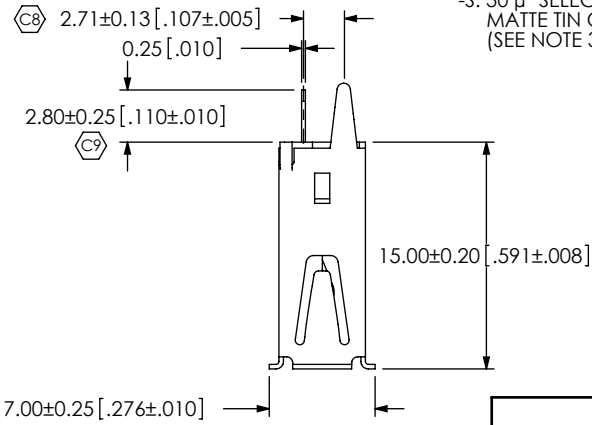
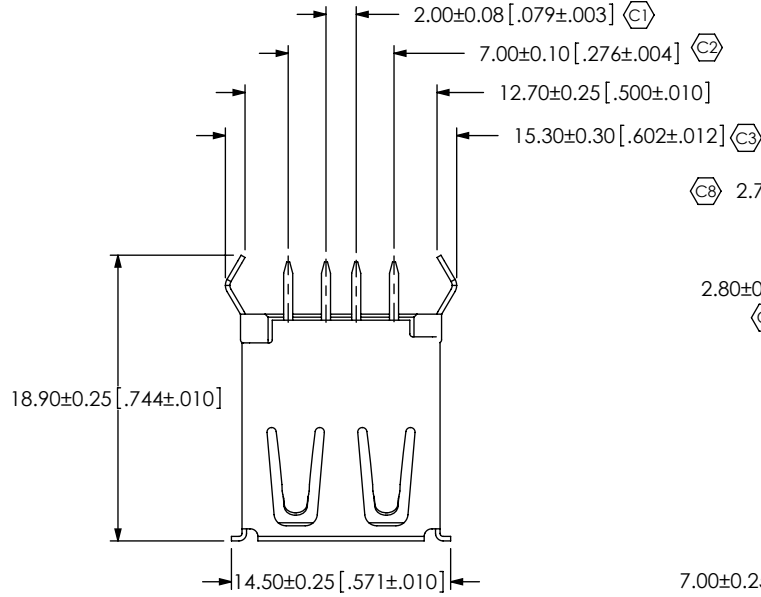
CONFIGURATION
-S: SINGLE

PLATING SPECIFICATION
C4 -F: 1 μ" SELECTIVE GOLD IN CONTACT AREA, MATTE TIN ON TAIL (SEE NOTE 3 FOR -R OPTION)
-S: 30 μ" SELECTIVE GOLD IN CONTACT AREA, MATTE TIN ON TAIL (SEE NOTE 3 FOR -R OPTION)

OPTION
-R: ROHS COMPLIANT

TERMINATION
-VT VERTICAL THROUGH HOLE

COLOR
-B: BLACK
-W: WHITE



NOTES:
1. C1 REPRESENTS A CRITICAL DIMENSION.
2. DELETED
3. ALL PARTS ARE ROHS COMPLIANT WITH OR WITHOUT -R.

UNLESS OTHERWISE SPECIFIED, DIMENSIONS ARE IN MM.
TOLERANCES ARE:
DECIMALS ANGLES
.X: ±.3 [.01] 2°
.XX: ±.13 [.005]
.XXX: ±.051 [.0020]

PROPRIETARY NOTE
THIS DOCUMENT CONTAINS INFORMATION CONFIDENTIAL AND PROPRIETARY TO SAMTEC, INC. AND SHALL NOT BE REPRODUCED OR TRANSFERRED TO OTHER DOCUMENTS OR DISCLOSED TO OTHERS OR USED FOR ANY PURPOSE OTHER THAN THAT WHICH IT WAS OBTAINED WITHOUT THE EXPRESSED WRITTEN CONSENT OF SAMTEC, INC.

samtec
520 PARK EAST BLVD, NEW ALBANY, IN 47150
PHONE: 812-944-6733 FAX: 812-948-5047
e-Mail: info@SAMTEC.com code: 55322

MATERIAL: DO NOT SCALE DRAWING SHEET SCALE: 2:1
INSULATOR: PBT
CONTACT: PHOS BRONZE

DESCRIPTION:
USB A, SINGLE, VERTICAL THROUGH HOLE
DWG. NO. USB-A-S-X-X-VT-X

X-ON Electronics

Largest Supplier of Electrical and Electronic Components

Click to view similar products for [Samtec manufacturer](#):

Other Similar products are found below :

[ESQT-130-03-M-Q-368](#) [ESQT-135-03-F-D-380](#) [QTE-060-01-L-D-A](#) [MSAS-179-ZUGG-18](#) [MTSW-103-07-F-S-240](#) [BCS-116-L-S-TE](#)
[ERF8-020-05.0-S-DV-K-TR](#) [ERF8-060-05.0-L-DV-K-TR](#) [IDMD-10-T-12.00-A-G-R](#) [SDL-115-T-12](#) [SFML-115-01-S-D](#) [SFML-125-01-S-D](#)
[SFSDT-15-28-H-04.50-DR-NDS](#) [LSHM-120-02.5-L-DV-A-N-K-TR](#) [SMS-125-02-S-D](#) [ESQ-110-14-G-D](#) [ESQT-125-03-F-D-310](#) [SO-](#)
[0515-01-01-02](#) [SSW-110-02-H-D](#) [FJH-50-D-12.00-4](#) [CES-150-01-T-D](#) [QTE-040-04-L-D-A](#) [QTH-020-04-F-D-DP-A-K-TR](#) [QTH-060-01-F-](#)
[D-A](#) [QTH-090-04-L-D-A](#) [TCSD-10-S-05.00-01-F-N](#) [TCSD-15-D-02.00-01-N](#) [TFM-115-02-L-DH](#) [TFM-120-12-S-D-LC](#) [TFML-140-02-S-D](#)
[TLW-107-05-G-D](#) [TMM-140-03-S-Q](#) [BDL-136-T-E](#) [TSS-132-01-G-S](#) [TST-113-04-S-D-RA](#) [TSW-105-14-F-D](#) [MMS-110-01-H-DH](#) [HPF-03-](#)
[02-T-S](#) [ZW-20-13-H-D-790-150](#) [ERF8-020-01-L-D-RA-L-TR](#) [ERF8-040-05.0-L-DV-TR](#) [SL-120-T-10](#) [SLM-115-01-S-D](#) [SLW-115-01-H-D](#)
[CLP-132-02-G-D](#) [TFC-125-02-F-D-A-K](#) [TFM-130-03-H-D](#) [TFSDT-50-28-G-14.00-D-NUS](#) [TSW-108-08-G-S-RA](#) [TSW-202-07-T-S](#)