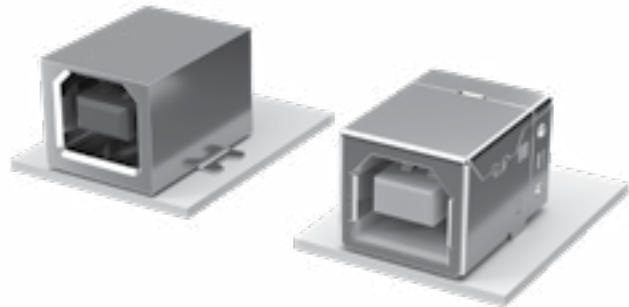




STANDARD & RUGGED USB 2.0

USB-B/USBR-B SERIES



SPECIFICATIONS

Insulator Material:
High Temperature Thermoplastic

Contact Material:
Phosphor Bronze

Plating:
Gold on Contacts, Nickel on Shell, Tin on Tails

Operating Temp Range:
-50 °C to +85 °C

Voltage Rating:
30 VAC

Cycles:
1500
(maximum number of cycles tested)

Packaging:
Packaged and shipped in Bulk Packaging Trays; Trays suitable for automation are available upon request.

Lead-Free Solderable:
USB-SM=Yes
USB-TH= Yes (Wave Solder only)
USBR=Yes (Wave Solder only)

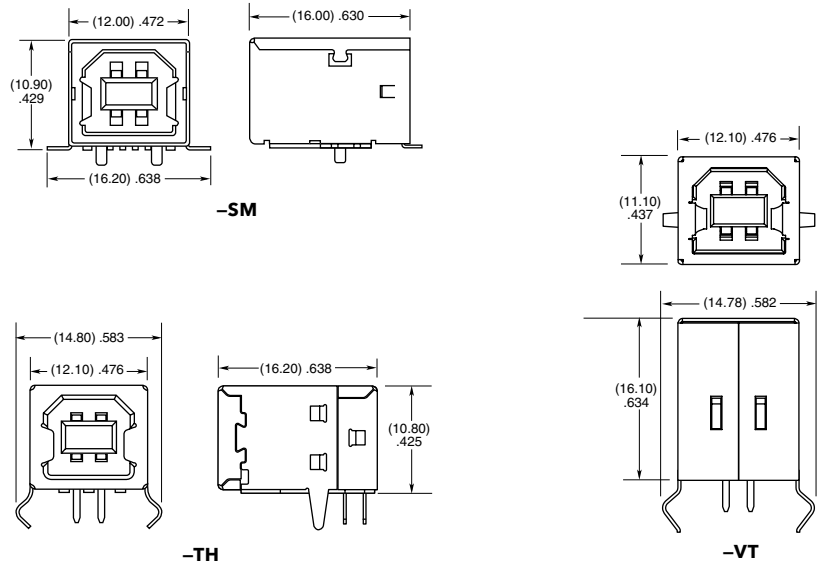
TID Number:
USB-B-S-X-X-TH (61001155)

SERIES	B	S	PLATING	COLOR	TERMINATION	OTHER OPTION
--------	---	---	---------	-------	-------------	--------------

USB = Standard Connector USBR = Increased Retention Connector (Complies with Class 1, DIV II minimum withdrawal requirement of 15N)			-F = Gold Flash on Mating Area, Tin on Tails -S = 30 μ" (0.76 μm) Gold on Mating Area, Tin on Tails	-B = Black (USB only) -W = White (USB only) -O = Orange (USBR only)	-TH = Through-hole -SM = Surface Mount (USB only) -VT = Vertical Top Entry	-TR = Tape and Reel (-SM only) -FR = Full Reel Tape & Reel (must order maximum quantity per reel; contact Samtec for quantity breaks) (-SM only)
--	--	--	--	---	--	---

MATING / UNMATING FORCE (100 CYCLES)

SERIES	MATING	UNMATING
USB	5.3 (23.59 N)	6.1 (27.15 N)
USBR	11.8 (52.51 N)	11.5 (51.18 N)



View complete specifications at: samtec.com?USB-B or samtec.com?USBR-B

X-ON Electronics

Largest Supplier of Electrical and Electronic Components

Click to view similar products for [USB Connectors](#) category:

Click to view products by [Samtec](#) manufacturer:

Other Similar products are found below :

[950](#) [A-USB A-LP-SMT-C](#) [A-USB B-TOP-C](#) [MUSBD11135](#) [17-200721](#) [217450-1](#) [KMBVX-TH-5S-B30](#) [KUSBX-AS2N-W](#) [KUSBX-SMT2AP1S-W30](#) [935](#) [957](#) [30-498-6](#) [SK-60A-2](#) [1734082-1](#) [30-470](#) [30-489](#) [30-541](#) [MIKROE-1451](#) [USBFTVSCCG](#) [1-1734084-2](#) [10135326-001LF](#) [USB3FTV7APEG](#) [4198](#) [1310-1023-02](#) [690-024-633-031](#) [UB-20PMFP-LC7001](#) [17-200011](#) [UB-20AFMM-LL7A01](#) [1040870124](#) [CAP-WCCMLPB1](#) [2274475-3](#) [UB-20BMFA-SL8001](#) [UB-20BFM-SA7A02](#) [UB-20BFM-SA7A05](#) [914-614A2025S10200](#) [MUSBR-AHD2-M41-SK](#) [ZX40-B-5S-1500-STDA\(30\)](#) [GSB3116344HR](#) [USB3FTV2SAZNF459](#) [USBF21GSCC](#) [U221-041N-1WVS62-F5D](#) [HYCW153-USBD05-500B](#) [HYCW219-USBD05-075B](#) [HYCW148-USBD05-117B](#) [HYCW149-USBD05-740B](#) [HYCW204-USBD05-108B](#) [HYCW214-USBA04-113B](#) [HYCW213-USBA04-113B](#) [UB-20AMFM-SL7A01](#) [KMMX-BSMT35S-1-B30TR](#)