

(2.00 mm) .0787"

YTW SERIES

HIGH-DENSITY BOARD STACKER

SPECIFICATIONS

For complete specifications see www.samtec.com/YTW

Insulator Material:
Black Liquid Crystal Polymer

Terminal Material:
Phosphor Bronze

Operating Temp Range:
-55 °C to +105 °C with Tin;
-55 °C to +125 °C with Gold

Plating:
Sn or Au over
50 μ" (1.27 μm) Ni

RoHS Compliant: Yes
Lead-Free Solderable:
Wave only

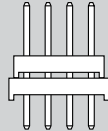
RECOGNITIONS

For complete scope of recognitions see www.samtec.com/quality

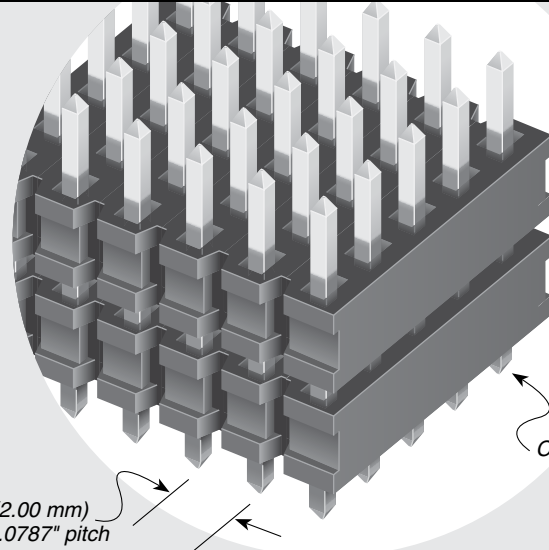


Mates with:
YTQ, YTS, YTE

OTHER SOLUTIONS



Paste In Hole (PIH) processing.
Contact Samtec ASP Group.



| YTW | NO. PINS PER ROW | LEAD STYLE | PLATING OPTION | ROW OPTION | STACKER HEIGHT | TAIL SPEC | | | | | | | | | | | | | | | | | | | | | | | |
|------------|------------------|---|---|--|--|---|-----------------|---------|-----------------|-----|--------------|-----|--------------|-----|--------------|-----|--------------|-----|--------------|-----|--------------|-----|--------------|-----|--------------|--|--|--|--|
| | 02 thru 50 | Specify LEAD STYLE from chart below. | <p>-G = 20 μ" (0.51 μm) Gold contact area, Gold flash on tail</p> <p>-S = 30 μ" (0.76 μm) Gold contact area, Tin on tail (Style -01 & -02 not available)</p> <p>-L = 10 μ" (0.25 μm) Gold contact area, Tin on tail</p> <p>-T = Tin</p> | <p>-Q = Four Row</p> <p>-5 = Five Row</p> <p>-6 = Six Row</p> | <p>-“XXX” = Stacker Height In inches (0.13 mm) .005" increments Example: -250 = (6.35 mm) .250"</p> | <p>-“XXX” = Tail Length In inches (0.13 mm) .005" increments Example: -150 = (3.81 mm) .150"</p> <p>-“XXX” = Polarized Position</p> | | | | | | | | | | | | | | | | | | | | | | | |
| | | | | | | | | | | | | | | | | | | | | | | | | | | | | | |
| | | <table border="1"> <thead> <tr> <th>LEAD STYLE</th> <th>OAL</th> </tr> </thead> <tbody> <tr><td>-01</td><td>(8.20) .323</td></tr> <tr><td>-02</td><td>(9.60) .377</td></tr> <tr><td>-03</td><td>(13.60) .535</td></tr> <tr><td>-04</td><td>(14.10) .555</td></tr> <tr><td>-05</td><td>(15.10) .594</td></tr> <tr><td>-06</td><td>(17.10) .673</td></tr> <tr><td>-07</td><td>(19.10) .751</td></tr> <tr><td>-09</td><td>(11.60) .456</td></tr> <tr><td>-10</td><td>(15.60) .614</td></tr> <tr><td>-11</td><td>(10.08) .397</td></tr> </tbody> </table> | | LEAD STYLE | OAL | -01 | (8.20) .323 | -02 | (9.60) .377 | -03 | (13.60) .535 | -04 | (14.10) .555 | -05 | (15.10) .594 | -06 | (17.10) .673 | -07 | (19.10) .751 | -09 | (11.60) .456 | -10 | (15.60) .614 | -11 | (10.08) .397 | | | | |
| LEAD STYLE | OAL | | | | | | | | | | | | | | | | | | | | | | | | | | | | |
| -01 | (8.20) .323 | | | | | | | | | | | | | | | | | | | | | | | | | | | | |
| -02 | (9.60) .377 | | | | | | | | | | | | | | | | | | | | | | | | | | | | |
| -03 | (13.60) .535 | | | | | | | | | | | | | | | | | | | | | | | | | | | | |
| -04 | (14.10) .555 | | | | | | | | | | | | | | | | | | | | | | | | | | | | |
| -05 | (15.10) .594 | | | | | | | | | | | | | | | | | | | | | | | | | | | | |
| -06 | (17.10) .673 | | | | | | | | | | | | | | | | | | | | | | | | | | | | |
| -07 | (19.10) .751 | | | | | | | | | | | | | | | | | | | | | | | | | | | | |
| -09 | (11.60) .456 | | | | | | | | | | | | | | | | | | | | | | | | | | | | |
| -10 | (15.60) .614 | | | | | | | | | | | | | | | | | | | | | | | | | | | | |
| -11 | (10.08) .397 | | | | | | | | | | | | | | | | | | | | | | | | | | | | |
| | | <table border="1"> <thead> <tr> <th>ROW OPTION</th> <th>STACKER HEIGHT</th> </tr> </thead> <tbody> <tr><td>-Q</td><td>(3.05) .120 MIN</td></tr> <tr><td>-5 & -6</td><td>(4.06) .160 MIN</td></tr> </tbody> </table> | | ROW OPTION | STACKER HEIGHT | -Q | (3.05) .120 MIN | -5 & -6 | (4.06) .160 MIN | | | | | | | | | | | | | | | | | | | | |
| ROW OPTION | STACKER HEIGHT | | | | | | | | | | | | | | | | | | | | | | | | | | | | |
| -Q | (3.05) .120 MIN | | | | | | | | | | | | | | | | | | | | | | | | | | | | |
| -5 & -6 | (4.06) .160 MIN | | | | | | | | | | | | | | | | | | | | | | | | | | | | |

Note:
This Series is non-standard,
non-returnable.

X-ON Electronics

Largest Supplier of Electrical and Electronic Components

Click to view similar products for [Board to Board & Mezzanine Connectors](#) category:

Click to view products by [Samtec](#) manufacturer:

Other Similar products are found below :

[589158040000018](#) [MDF7C-18P-2.54DSA\(55\)](#) [FCN-230C068-11](#) [FCN-268F012-G/BD](#) [FCN-268F036-G/BD](#) [FCN-268M012-G/0D](#) [FCN-268M024-G/1D](#) [FCN-723J004/1](#) [MIS-048-01-F-D-DP-K](#) [832-10-034-10-001000](#) [FX4C-80S-1.27DSA](#) [FCN-214Q030-G/0](#) [FCN-234P048-G/0](#) [FCN-235D050-G/C](#) [210-93-314-41-105000](#) [2-22603-0](#) [MDF7-40DP-2.54DSA\(55\)](#) [AXG720047](#) [5031084030](#) [MIT-114-03-F-D-K](#) [55323-1519](#) [DF33-2P-3.3DSA\(24\)](#) [YFT-20-05-H-03-SB-K](#) [503308-3040](#) [026-6203-PDB](#) [027-6203-PDB](#) [069159702701000](#) [10123981-102LF](#) [101A10019X](#) [55650-0588-C](#) [68684-306](#) [75140-7012](#) [589159005003045](#) [194261-1](#) [FCN-268F024-G0D](#) [10124054-515LF](#) [68685-603](#) [8-1616154-3](#) [MIS-019-01-F-D](#) [589159005002045](#) [541371078](#) [IL-WX-10PB-HF-B-E1000E](#) [FCN-268M024-G/3D](#) [20021832-06016C1LF](#) [KX15-20KLDL-E1000E](#) [MDF7-16DP-2.54DSA\(55\)](#) [AXE810124](#) [FCN-214J100-G/0](#) [FCN-230C068-E/S](#) [AXE812124](#)