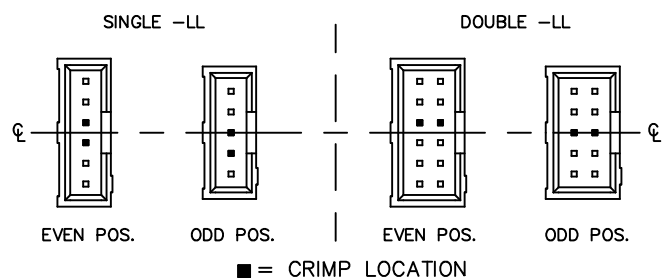
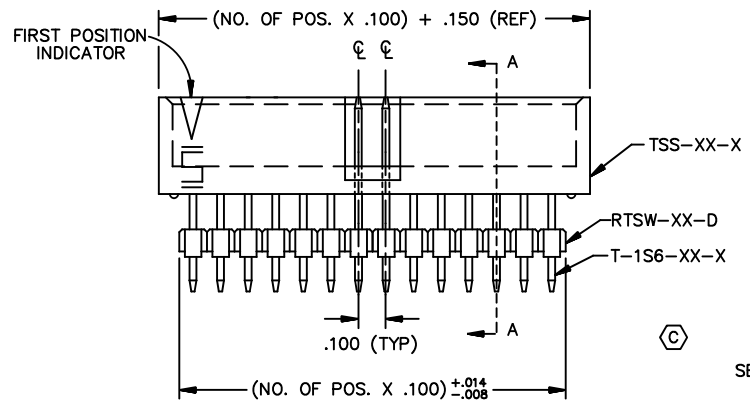
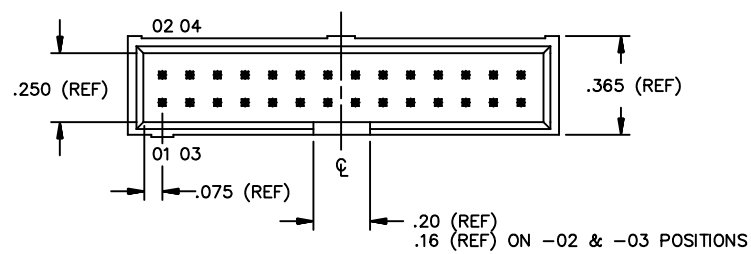
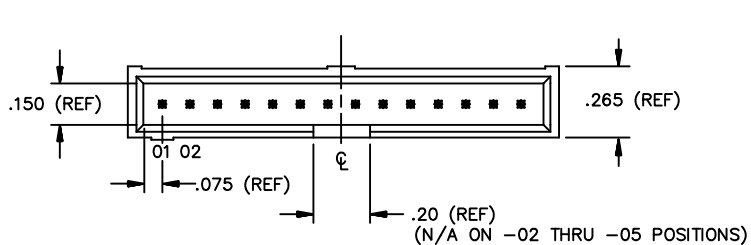


DO NOT SCALE FROM THIS PRINT

DIMENSIONS ARE IN INCHES		UNLESS OTHERWISE NOTED	TOLERANCES ARE:
ONE PLACE DECIMALS ±.1	THREE PLACE DECIMALS ± .005	ANGLES	± 2°
TWO PLACE DECIMALS ±.01	FOUR PLACE DECIMALS ± .0020		

TITLE:	DWG NO:
ZSS-ASSEMBLY	ZSS-1XX-XX-XXX-X-XXXX-XX-XX
	SHEET 1 OF 1

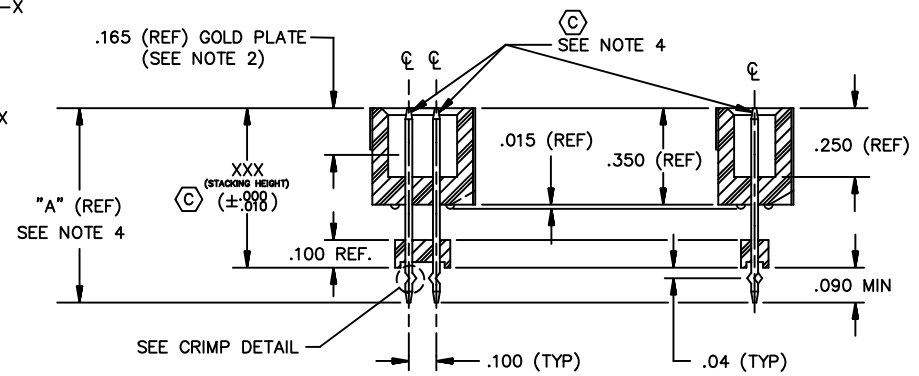
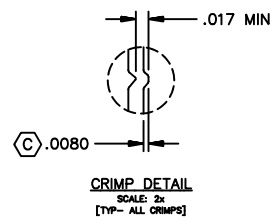


ZSS-1XX-XX-XXX-X-XXXX-XX-XX

- NO. OF POSITIONS (02 THRU 18, 20, 24, 22, 25, 28, 30, 32, 36)
- LEAD STYLE SEE TABLE 1
- PLATING OPTION
 - G: 10µ" GOLD IN CONTACT AREA, 3µ" GOLD ON TAIL
 - T: MATTE TIN CONTACT AND TAIL
 - S: 30µ" SELECTIVE GOLD IN CONTACT AREA, MATTE TIN ON TAIL
 - H: 30µ" GOLD IN CONTACT AREA, 3µ" GOLD ON TAIL
 - L: 10µ" SELECTIVE GOLD IN CONTACT AREA, MATTE TIN ON TAIL
 - F: 3µ" SELECTIVE GOLD IN CONTACT AREA, MATTE TIN ON TAIL
 - STL: 30µ" SELECTIVE GOLD IN CONTACT AREA, (90/10 +/-5%) TAIL (ONLY AVAILABLE IN -06 LEAD STYLE)
- POLARIZED OPTION SPECIFY POSITION TO BE REMOVED (XX)
 - LL: LOCKING LEAD (SEE SECT. 'A-A' & FIG. 1)
 - STACKING HEIGHT .450 MIN. STACKING HEIGHT (.535 MIN. BOARD SPACING WHEN MATED WITH SAMTEC SSW)
 - ROW OPTION
 - D DOUBLE
 - S SINGLE

TABLE 1

LEAD STYLE	TERMINAL	MAX. STACKING HEIGHT	"A"
-01	T-1S6-15-XX-2	.540	.630
-02	T-1S6-09-XX-2	.640	.730
-03	T-1S6-10-XX-2	.740	.830
-04	T-1S6-11-XX-2	.840	.930
-05	T-1S6-12-XX-2	.940	1.030
-06	T-1S6-20-XX-2	1.040	1.130
-07	T-1S6-13-XX-2	1.140	1.230
-08	T-1S6-19-XX-2	1.240	1.330
-09	T-1S6-14-XX-2	1.340	1.430



- NOTES:
- TERMINAL PUSHOUT FORCE 3 LBS.
 - ASSEMBLE GOLD PLATE END AS SHOWN.
 - () REPRESENTS CRITICAL DIMENSION FOR STATISTICAL PROCESS CONTROL.
 - TERMINALS TO BE FLUSH TO .010 BELOW TOP OF SHROUD.
 - INSULATOR MATERIALS: PBT, UL 94 V0
 - FOR ADDED MECHANICAL STABILITY, SAMTEC RECOMMENDS MECHANICAL BOARD SPACERS BE USED IN APPLICATIONS WITH GOLD OR SELECTIVE GOLD PLATED CONNECTORS. CONTACT IPG@SAMTEC.COM FOR MORE INFORMATION.

PROPRIETARY NOTE
THIS DOCUMENT CONTAINS INFORMATION CONFIDENTIAL AND PROPRIETARY TO SAMTEC INC. AND SHALL NOT BE REPRODUCED OR TRANSFERRED TO OTHER DOCUMENTS OR DISCLOSED TO OTHERS OR USED FOR ANY PURPOSE OTHER THAN THAT FOR WHICH IT WAS OBTAINED WITHOUT THE EXPRESSED WRITTEN CONSENT OF SAMTEC INC.

EXISPROD\ASSEMBLY100 ZSS-ASM

520 PARK EAST BLVD. NEW ALBANY, INDIANA 47150
PHONE (812) 944-6733 P.O. BOX 1147
CODE 55322

MADE BY: TIM PLUMMER

ZSS-1XX-XX-XXX-X-XXXX-XX-XX

SHEET 1 OF 1

X-ON Electronics

Largest Supplier of Electrical and Electronic Components

Click to view similar products for [Headers & Wire Housings](#) category:

Click to view products by [Samtec](#) manufacturer:

Other Similar products are found below :

[95000-104TRLF](#) [10135584-644402LF](#) [DF62W-EP2022PCA](#) [95000-106TRLF](#) [DF62W-2022SCA](#) [DF62W-EP2022PC](#) [2203348](#) [DF62W-2022SC](#) [1084018](#) [1029039](#) [1084017](#) [802-10-012-10-002000](#) [1112640](#) [1112639](#) [891-007-9SS-BST1T](#) [000-34000](#) [0008550134](#) [0009482033](#) [0009507031](#) [57102-F02-18ULF](#) [57102-S06-03LF](#) [57202-S52-04LF](#) [PCN6-15S-2.5E](#) [0039019024](#) [58102-G61-06LF](#) [582553-1](#) [0009485154](#) [0009508121](#) [009176003701906](#) [0022285053](#) [0050291907](#) [018731A](#) [LY20-4P-DT1-P1E-BR](#) [02.125.8002.8](#) [60101931](#) [60598-1 \(Cut Strip\)](#) [M1625-3R/100](#) [61062-3](#) [61082-181009](#) [CSU011177004](#) [636-1427](#) [638009-1](#) [641938-9](#) [641991-4](#) [644168-1](#) [644827-2](#) [647662-1](#) [65039-019ELF](#) [65692-001LF](#) [65781-018](#)