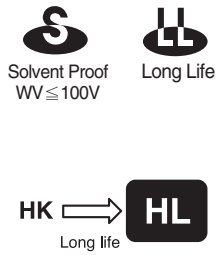


# LARGE ALUMINUM ELECTROLYTIC CAPACITORS

**Upgrade**  
**HL** Long Life Series

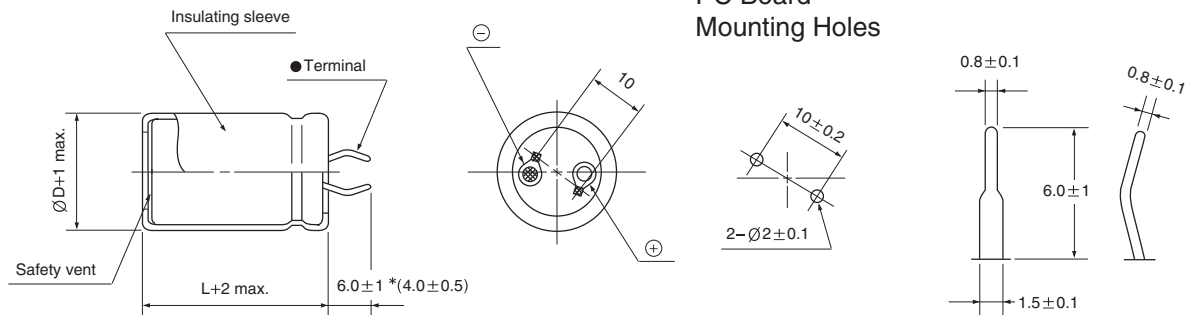
- Long life than HK series
- Load life of 5000 hours at 105°C
- Complied to the RoHS directive



Item	Characteristics															
Operating temperature range	WV < 350 : -40 ~ +105°C, WV ≥ 350 : -25 ~ +105°C															
Capacitance tolerance	±20% at 120Hz, 20°C															
Leakage current max.	$I = 3\sqrt{CV}$ (µA) (after 5 minutes)															
Dissipation factor max. (at 120Hz, 20°C)	Capacitance > 1000µF : tanδ increases by 0.01 for each 1000µF from below value.															
	<table border="1"> <tr> <td>WV</td> <td>10</td> <td>16</td> <td>25, 35</td> <td>50, 63</td> <td>80, 100</td> <td>160 ~ 400</td> <td>450, 500</td> </tr> <tr> <td>tanδ</td> <td>0.50</td> <td>0.40</td> <td>0.35</td> <td>0.25</td> <td>0.20</td> <td>0.15</td> <td>0.20</td> </tr> </table>	WV	10	16	25, 35	50, 63	80, 100	160 ~ 400	450, 500	tanδ	0.50	0.40	0.35	0.25	0.20	0.15
WV	10	16	25, 35	50, 63	80, 100	160 ~ 400	450, 500									
tanδ	0.50	0.40	0.35	0.25	0.20	0.15	0.20									
Load life (after application of the rated voltage for 5000 hours at 105°C)	Leakage current	Less than specified value														
	Capacitance change	Within ±25% of initial value														
	tanδ	Less than 250% of specified value														
Shelf life (at 105°C)	After 1000 hours no load test, leakage current, capacitance and tanδ are same as load life value. The measurement shall be performed at 20°C by the KS C IEC 60384 - 4															

● DRAWING

Unit : mm



\* Shorter terminal(4.0±0.5) is also available upon request.  
 Terminal length of height 20mm products is applied shorter terminal to standard terminal type.

● FREQUENCY COEFFICIENT OF PERMISSIBLE RIPPLE CURRENT

WV	Frequency	50Hz	120Hz	300Hz	1kHz	10kHz ≤
~ 100		0.85	1.00	1.06	1.15	1.20
160 ~ 250		0.85	1.00	1.20	1.25	1.45
350 ~		0.85	1.00	1.15	1.20	1.40



# LARGE ALUMINUM ELECTROLYTIC CAPACITORS

**HL** series

● DIMENSIONS & MAXIMUM PERMISSIBLE RIPPLE CURRENT

WV μF / ØD	10				16				25			
	22	25.4	30	35	22	25.4	30	35	22	25.4	30	35
5600									22×25 1.50			
6800									22×30 1.90	25.4×25 1.90		
8200					22×25 1.80				22×35 2.10	25.4×30 2.10	30×25 2.10	
10000					22×30 2.20	25.4×25 2.20			22×40 2.30	25.4×35 2.30	30×25 2.20	
12000	22×30 2.10				22×35 2.40	25.4×30 2.40			22×40 2.50	25.4×35 2.50	30×30 2.60	
15000	22×30 2.30	25.4×25 2.30			22×40 2.70	25.4×35 2.70	30×30 2.70			25.4×40 2.80	30×35 2.90	35×30 2.90
18000	22×35 2.70	25.4×30 2.70			22×45 2.80	25.4×40 3.00	30×30 3.00	35×25 3.00		25.4×50 3.10	30×40 3.10	35×30 3.10
22000	22×40 2.90	25.4×35 2.90	30×30 2.90			25.4×40 3.10	30×35 3.30	35×30 3.30			30×45 3.50	35×35 3.50
27000	22×45 3.30	25.4×40 3.30	30×30 3.30	35×25 3.30			30×40 3.60	35×30 3.60			30×50 3.80	35×40 3.70
33000		25.4×45 3.50	30×35 3.50	35×30 3.50			30×45 4.00	35×35 4.00				35×45 4.10
39000			30×40 3.80	35×30 3.70			30×50 4.30	35×40 4.30				35×50 4.40
47000			30×45 4.00	35×35 3.90				35×45 4.60				
56000				35×40 4.50								

WV μF / ØD	35				50				63			
	22	25.4	30	35	22	25.4	30	35	22	25.4	30	35
1200									22×25 1.30			
1500									22×30 1.50	25.4×25 1.50		
1800					22×25 1.30				22×35 1.60	25.4×30 1.60	30×25 1.60	
2200					22×30 1.40				22×40 1.80	25.4×30 1.80	30×30 1.80	
2700					22×30 1.60	25.4×25 1.60			22×45 2.00	25.4×35 2.00	30×30 2.00	
3300	22×25 1.50				22×35 1.80	25.4×30 1.80			22×50 2.20	25.4×40 2.20	30×35 2.20	35×25 2.20
3900	22×30 1.60				22×40 1.90	25.4×30 1.90	30×25 1.90			25.4×45 2.40	30×35 2.40	35×30 2.40
4700	22×35 1.80	25.4×25 1.80			22×40 2.00	25.4×35 2.10	30×30 2.10	35×25 2.10		25.4×50 2.60	30×40 2.60	35×35 2.60
5600	22×35 2.00	25.4×30 2.00			22×45 2.20	25.4×40 2.30	30×35 2.30	35×25 2.30			30×45 2.80	35×35 2.80
6800	22×40 2.20	25.4×35 2.20	30×25 2.20		22×50 2.40	25.4×45 2.50	30×35 2.50	35×30 2.50				35×40 3.10
8200	22×45 2.30	25.4×35 2.30	30×30 2.40	35×25 2.40			30×40 2.80	35×30 2.70				35×45 3.40
10000		25.4×40 2.50	30×35 2.60	35×25 2.50			30×45 3.00	35×35 3.00				35×50 3.80
12000		25.4×45 2.80	30×35 2.80	35×30 2.90				35×40 3.30				
15000			30×40 3.10	35×35 3.20				35×45 3.70				
18000			30×45 3.30	35×40 3.50								
22000				35×45 3.70								

WV μF / ØD	80				100			
	22	25.4	30	35	22	25.4	30	35
680					22×25 1.10			
820	22×25 1.20				22×30 1.30	25.4×25 1.30		
1000	22×30 1.30	25.4×25 1.30			22×35 1.50	25.4×30 1.50		
1200	22×35 1.50	25.4×25 1.50			22×40 1.60	25.4×35 1.60	30×25 1.60	
1500	22×40 1.60	25.4×30 1.60	30×25 1.60		22×45 1.80	25.4×40 1.80	30×30 1.80	
1800	22×45 1.80	25.4×35 1.80	30×30 1.80			25.4×45 2.00	30×35 2.00	35×25 2.00
2200	22×50 2.00	25.4×40 2.00	30×30 2.00	35×25 2.00		25.4×50 2.20	30×40 2.20	35×30 2.20
2700		25.4×45 2.20	30×35 2.20	35×30 2.20			30×45 2.40	35×35 2.40
3300			30×40 2.40	35×35 2.40				35×40 2.70
3900			30×45 2.60	35×40 2.60				35×45 2.90
4700				35×45 3.00				
5600				35×50 3.30				

← Case size ØD×L (mm)  
← Ripple current (Arms) at 105°C, 120Hz

LARGE TYPES

# LARGE ALUMINUM ELECTROLYTIC CAPACITORS

**HL** series

● DIMENSIONS & MAXIMUM PERMISSIBLE RIPPLE CURRENT

WV μF / ØD	160				200				250			
	22	25.4	30	35	22	25.4	30	35	22	25.4	30	35
150					22×20 0.63				22×25 0.68	25.4×20 0.69		
180					22×20 0.69	25.4×20 0.76			22×25 0.74	25.4×20 0.76		
220	22×20 0.76				22×25 0.82	25.4×20 0.84			22×25 0.82	25.4×25 0.90	30×20 0.92	
270	22×25 0.91	25.4×20 0.93			22×25 0.91	25.4×25 1.00	30×20		22×30 0.97	25.4×25 1.00	30×20 1.02	
330	22×25 1.01	25.4×20 1.03			22×30 1.07	25.4×25 1.11	30×20 1.13		22×35 1.14	25.4×30 1.18	30×25 1.21	
390	22×25 1.09	25.4×25 1.20	30×20 1.23		22×30 1.17	25.4×25 1.20	30×25 1.31		22×40 1.30	25.4×35 1.35	30×25 1.31	35×25 1.42
470	22×30 1.28	25.4×25 1.32	30×20 1.35		22×35 1.36	25.4×30 1.40	30×25 1.44		22×45 1.50	25.4×35 1.48	30×30 1.53	35×25 1.56
560	22×35 1.48	25.4×30 1.53	30×25 1.57		22×40 1.56	25.4×30 1.53	30×25 1.57	35×25 1.70	22×50 1.71	25.4×40 1.70	30×30 1.67	35×25 1.70
680	22×40 1.72	25.4×30 1.69	30×25 1.73		22×45 1.80	25.4×35 1.79	30×30 1.84	35×25 1.88		25.4×50 2.05	30×35 1.94	35×30 1.98
820	22×45 1.98	25.4×35 1.96	30×30 2.02	35×25 2.06		25.4×45 2.16	30×30 2.02	35×25 2.06			30×40 2.23	35×35 2.29
1000	22×50 2.28	25.4×40 2.28	30×30 2.23	35×25 2.28		25.4×50 2.48	30×35 2.35	35×30 2.41			30×50 2.68	35×40 2.65
1200		25.4×45 2.41	30×35 2.38	35×30 2.44			30×40 2.50	35×35 2.57				35×45 2.80
1500		25.4×50 2.81	30×40 2.79	35×35 2.73			30×50 3.04	35×40 3.00				35×50 3.25

WV μF / ØD	350				400				450			
	22	25.4	30	35	22	25.4	30	35	22	25.4	30	35
68	22×20 0.41	25.4×20 0.45			22×20 0.58							
82	22×25 0.48	25.4×20 0.49			22×25 0.62	25.4×20 0.69			22×25 0.67	25.4×25 0.69		
100	22×25 0.53	25.4×25 0.58	30×20 0.60		22×25 0.74	25.4×20 0.75			22×25 0.79	25.4×25 0.81	30×20 0.84	
120	22×30 0.62	25.4×25 0.64	30×20 0.65		22×25 0.86	25.4×25 0.84	30×20 0.92		22×30 0.90	25.4×25 0.89	30×25 0.92	35×20 0.99
150	22×35 0.74	25.4×30 0.76	30×25 0.78		22×30 1.02	25.4×25 0.99	30×25 1.02		22×35 1.06	25.4×30 1.11	30×25 1.09	35×25 1.11
180	22×40 0.85	25.4×30 0.83	30×25 0.86		22×35 1.16	25.4×30 1.15	30×25 1.20		22×40 1.22	25.4×30 1.22	30×25 1.20	35×25 1.22
220	22×45 0.98	25.4×35 0.98	30×30 1.00	35×25 1.03	22×40 1.35	25.4×35 1.35	30×25 1.32	35×25 1.35	22×45 1.35	25.4×35 1.40	30×30 1.39	35×25 1.35
270	22×50 1.14	25.4×40 1.14	30×30 1.11	35×25 1.14	22×45 1.58	25.4×40 1.56	30×30 1.53	35×25 1.58		25.4×40 1.54	30×35 1.62	35×30 1.56
330		25.4×45 1.31	30×35 1.30	35×30 1.33		25.4×45 1.80	30×35 1.78	35×30 1.75			30×40 2.03	35×35 1.80
390		25.4×50 1.49	30×40 1.48	35×35 1.52			30×40 2.02	35×30 2.00			30×45 2.12	35×40 2.08
470			30×45 1.69	35×35 1.67			30×45 2.31	35×35 2.29			30×50 2.14	35×40 2.14
560			30×50 1.92	35×40 1.90			30×50 2.33	35×40 2.33				35×45 2.26
680								35×45 2.37				35×50 2.51

WV μF / ØD	500			
	22	25.4	30	35
68	22×30 0.73			
82	22×35 0.83	25.4×25 0.83		
100	22×40 0.94	25.4×30 0.94	30×25 0.91	
120	22×50 1.08	25.4×30 1.02	30×25 1.04	35×25 1.01
150	22×55 1.24	25.4×35 1.21	30×30 1.19	35×25 1.18
180	22×60 1.38	25.4×40 1.36	30×35 1.34	35×30 1.25
220		25.4×50 1.52	30×40 1.51	35×30 1.51
270			30×45 1.69	35×35 1.62
330			30×50 1.89	35×40 1.81
390				35×45 2.08
470				35×50 2.28

← Case size ØD×L (mm)  
← Ripple current (Arms) at 105°C, 120Hz

## X-ON Electronics

Largest Supplier of Electrical and Electronic Components

*Click to view similar products for [Aluminium Electrolytic Capacitors - Snap In](#) category:*

*Click to view products by [Samwha](#) manufacturer:*

Other Similar products are found below :

[NRLF103M25V35X20F](#) [EET-XB2W221LA](#) [419-2066-400](#) [B41231C4229M](#) [B43508C5337M062](#) [MAL215969181E3](#) [ALC40F1012DH](#)  
[ALC40E1004EL](#) [383LX332M250N082V](#) [LGZ2W101MELB30](#) [LGZ2W151MELB40](#) [LGZ2W271MELC45](#) [LGZ2W221MELC40](#)  
[LGZ2W331MELC50](#) [LGZ2W121MELC25](#) [ELXS601VSN121MA30S](#) [ESMH101VNN682MA50U](#) [ELG229M016AS3AA](#)  
[B43541A6397M000](#) [B43544C6227M000](#) [B43630A9827M000](#) [B43630B5477M067](#) [B43644J6477M000](#) [MAL215757331E3](#)  
[MAL229956561E3](#) [MAL229966182E3](#) [MAL229967821E3](#) [ALC70A821EF400](#) [ALC70A102EH400](#) [MAL205658102E3](#) [MAL205855103E3](#)  
[MAL209436471E3](#) [MAL215848103E3](#) [MAL225756221E3](#) [B43511A5158M000](#) [B41303A7159M000](#) [MAL205828222E3](#)  
[MAL205879471E3](#) [MAL205956101E3](#) [MAL209526102E3](#) [MAL215611332E3](#) [MAL215753221E3](#) [MAL215817222E3](#) [MAL215957271E3](#)  
[MAL219826681E3](#) [HC1C339M30040HA](#) [HC1E109M25030HA](#) [HC1V229M35045HA](#) [HC2G227M25040HA101](#) [HE1E229M30045HA](#)