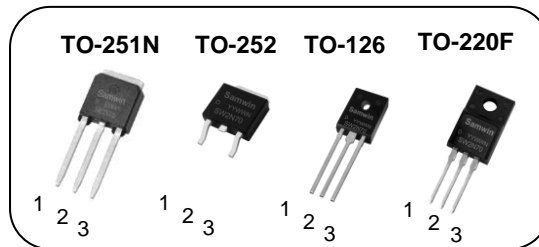


N-channel Enhanced mode TO-251N/TO-252/TO-126/TO-220F MOSFET

Features

- High ruggedness
- Low $R_{DS(ON)}$ (Typ 5Ω) @ $V_{GS}=10V$
- Low Gate Charge (Typ 11nC)
- Improved dv/dt Capability
- 100% Avalanche Tested
- Application: Charger, LED

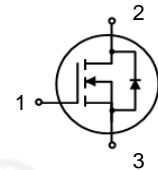


1. Gate 2. Drain 3. Source

$BV_{DSS} : 700V$

$I_D : 2A$

$R_{DS(ON)} : 5\Omega$



General Description

This power MOSFET is produced with advanced technology of SAMWIN.

This technology enable the power MOSFET to have better characteristics, including fast switching time, low on resistance, low gate charge and especially excellent avalanche characteristics.

Order Codes

Item	Sales Type	Marking	Package	Packaging
1	SW N 2N70D	SW2N70D	TO-251N	TUBE
2	SW D 2N70D	SW2N70D	TO-252	REEL
3	SW L 2N70D	SW2N70D	TO-126	TUBE
4	SW F 2N70D	SW2N70D	TO-220F	TUBE

Absolute maximum ratings

Symbol	Parameter	Value				Unit
		TO-251N	TO-252	TO-126	TO-220F	
V_{DSS}	Drain to source voltage	700				V
I_D	Continuous drain current (@ $T_C=25^\circ C$)	2*				A
	Continuous drain current (@ $T_C=100^\circ C$)	1.2*				A
I_{DM}	Drain current pulsed (note 1)	8				A
V_{GS}	Gate to source voltage	± 30				V
E_{AS}	Single pulsed avalanche energy (note 2)	50				mJ
E_{AR}	Repetitive avalanche energy (note 1)	5				mJ
dv/dt	Peak diode recovery dv/dt (note 3)	5				V/ns
P_D	Total power dissipation (@ $T_C=25^\circ C$)	83.3		96.2	18.1	W
	Derating factor above 25°C	0.67		0.77	0.14	W/°C
T_{STG}, T_J	Operating junction temperature & storage temperature	-55 ~ + 150				°C
T_L	Maximum lead temperature for soldering purpose, 1/8 from case for 5 seconds.	300				°C

*. Drain current is limited by junction temperature.

Thermal characteristics

Symbol	Parameter	Value				Unit
		TO-251N	TO-252	TO-126	TO-220F	
R_{thjc}	Thermal resistance, Junction to case	1.5		1.3	6.9	°C/W
R_{thja}	Thermal resistance, Junction to ambient	83		81	53	°C/W

Electrical characteristic (T_C = 25°C unless otherwise specified)

Symbol	Parameter	Test conditions	Min.	Typ.	Max.	Unit
Off characteristics						
BV _{DSS}	Drain to source breakdown voltage	V _{GS} =0V, I _D =250uA	700			V
ΔBV _{DSS} / ΔT _J	Breakdown voltage temperature coefficient	I _D =250uA, referenced to 25°C				V/°C
I _{DSS}	Drain to source leakage current	V _{DS} =700V, V _{GS} =0V			1	uA
		V _{DS} =560V, T _C =125°C			50	uA
I _{GSS}	Gate to source leakage current, forward	V _{GS} =30V, V _{DS} =0V			100	nA
	Gate to source leakage current, reverse	V _{GS} =-30V, V _{DS} =0V			-100	nA
On characteristics						
V _{GS(TH)}	Gate threshold voltage	V _{DS} =V _{GS} , I _D =250uA	2.5		4.5	V
R _{DS(ON)}	Drain to source on state resistance	V _{GS} =10V, I _D =1A		5	6.2	Ω
G _{fs}	Forward transconductance	V _{DS} =30V, I _D =1A		1.9		S
Dynamic characteristics						
C _{iss}	Input capacitance	V _{GS} =0V, V _{DS} =25V, f=1MHz		360		pF
C _{oss}	Output capacitance			42		
C _{rss}	Reverse transfer capacitance			13		
t _{d(on)}	Turn on delay time	V _{DS} =350V, I _D =2A, R _G =25Ω V _{GS} =10V (note 4,5)		7		ns
t _r	Rising time			22		
t _{d(off)}	Turn off delay time			26		
t _f	Fall time			24		
Q _g	Total gate charge	V _{DS} =560V, V _{GS} =10V, I _D =2A (note 4,5)		11		nC
Q _{gs}	Gate-source charge			2		
Q _{gd}	Gate-drain charge			5.5		
R _g	Gate resistance	V _{DS} =0V, Scan F mode		3.5		Ω

Source to drain diode ratings characteristics

Symbol	Parameter	Test conditions	Min.	Typ.	Max.	Unit
I _S	Continuous source current	Integral reverse p-n Junction diode in the MOSFET			2	A
I _{SM}	Pulsed source current				8	A
V _{SD}	Diode forward voltage drop.	I _S =2A, V _{GS} =0V			1.4	V
t _{rr}	Reverse recovery time	I _S =2A, V _{GS} =0V, di _F /dt=100A/us		260		ns
Q _{rr}	Reverse recovery charge				1.3	uC

※. Notes

1. Repetitive rating : pulse width limited by junction temperature.
2. L = 25mH, I_{AS} = 2A, V_{DD} = 25V, R_G=25Ω, Starting T_J = 25°C
3. I_{SD} ≤ 2A, di/dt = 100A/us, V_{DD} ≤ BV_{DSS}, Starting T_J = 25°C
4. Pulse Test : Pulse Width ≤ 300us, duty cycle ≤ 2%
5. Essentially independent of operating temperature.

Fig. 1. On-state characteristics

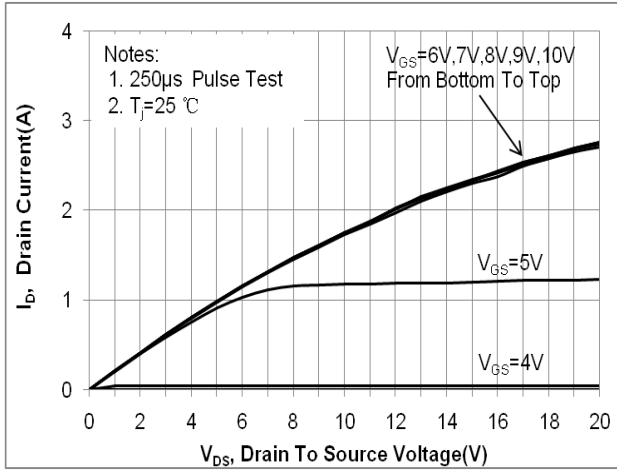


Fig. 2. On-resistance variation vs. drain current and gate voltage

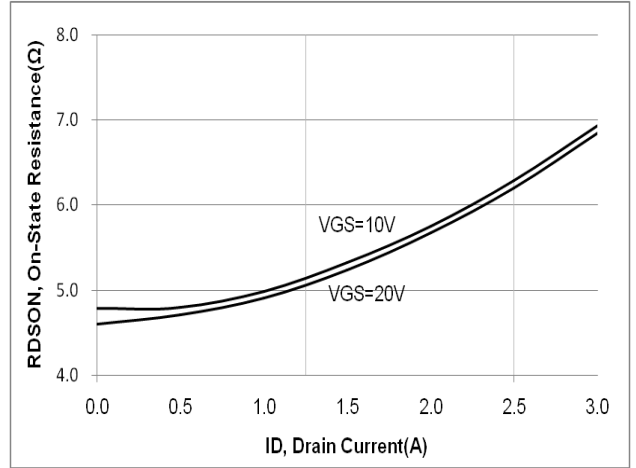


Fig. 3. Gate charge characteristics

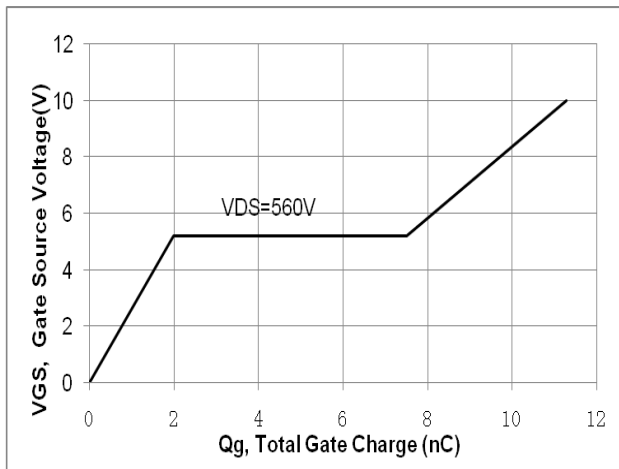


Fig. 4. On state current vs. diode forward voltage

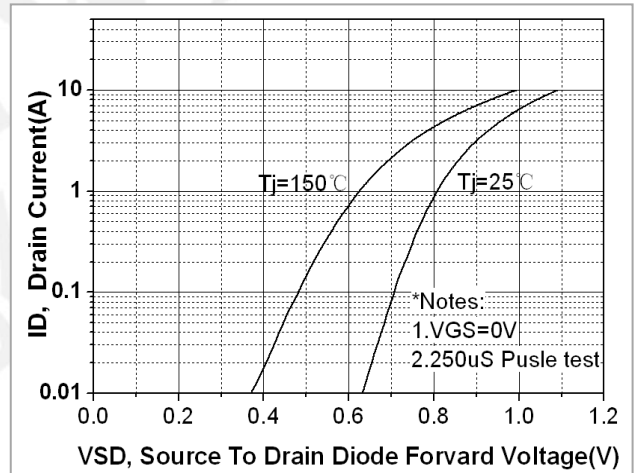


Fig 5. Breakdown Voltage Variation vs. Junction Temperature

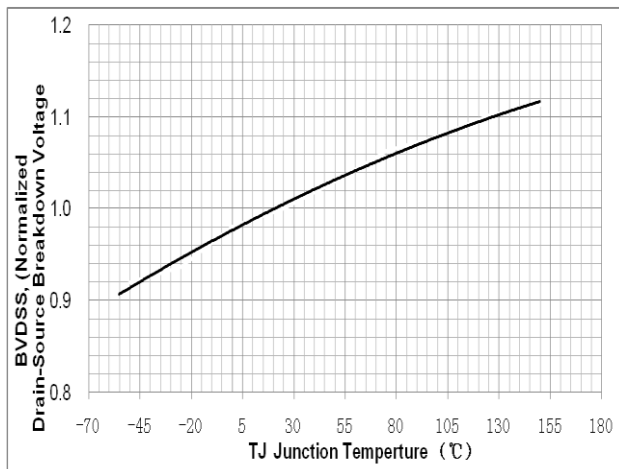


Fig. 6. On resistance variation vs. junction temperature

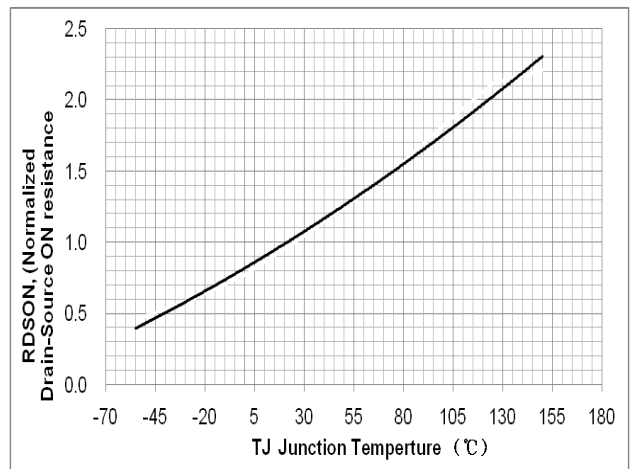


Fig. 7. Maximum safe operating area (TO-251N&TO-252)

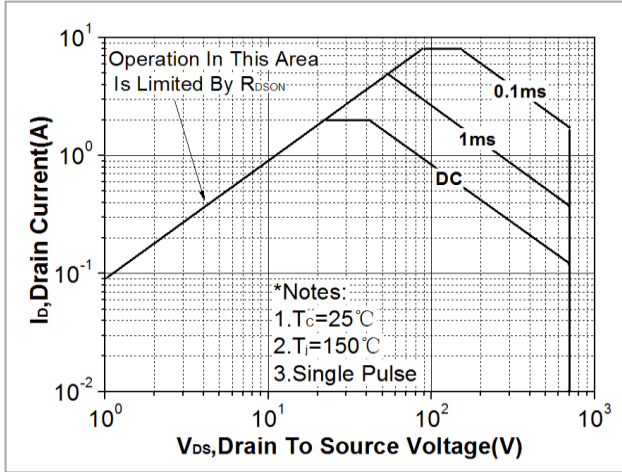


Fig. 8. Maximum safe operating area (TO-126)

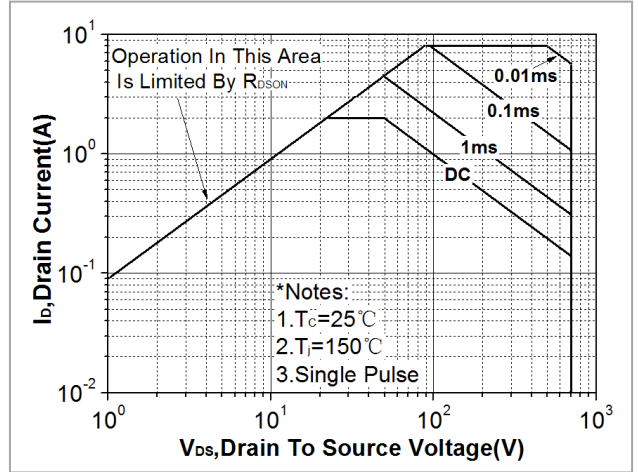


Fig. 9. Maximum safe operating area (TO-220F)

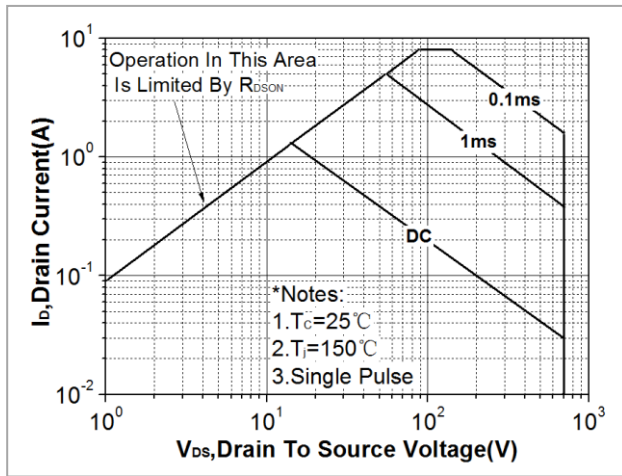


Fig. 10. Capacitance Characteristics

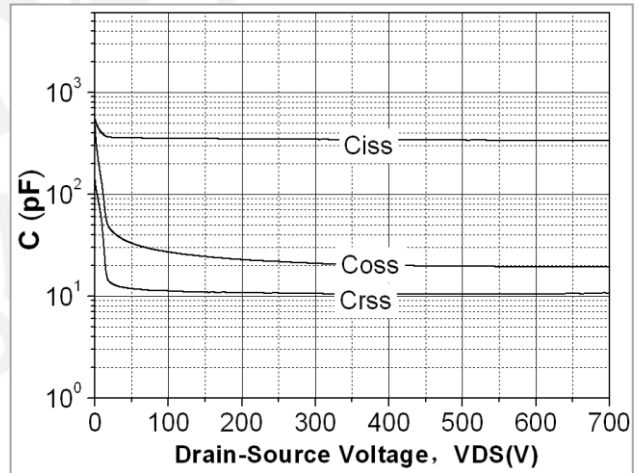


Fig. 11. Transient thermal response curve (TO-251N&TO-252)

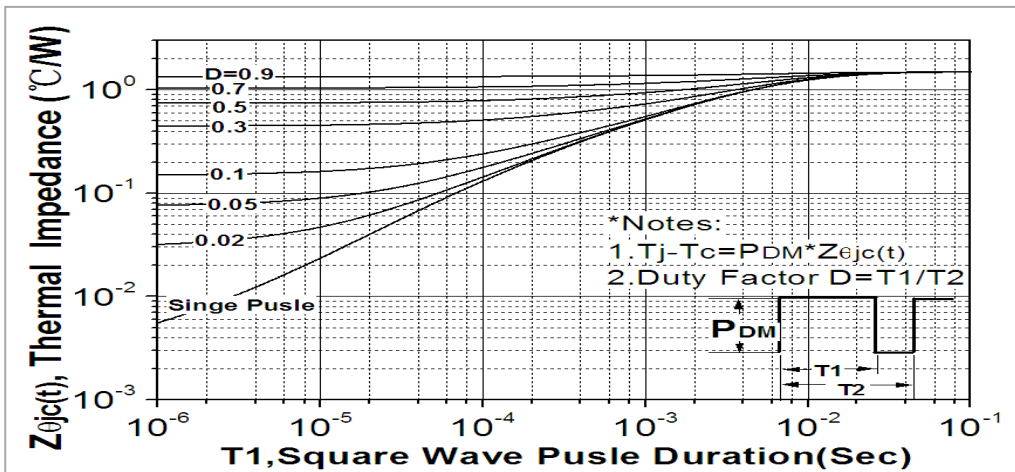


Fig. 12. Transient thermal response curve (TO-126)

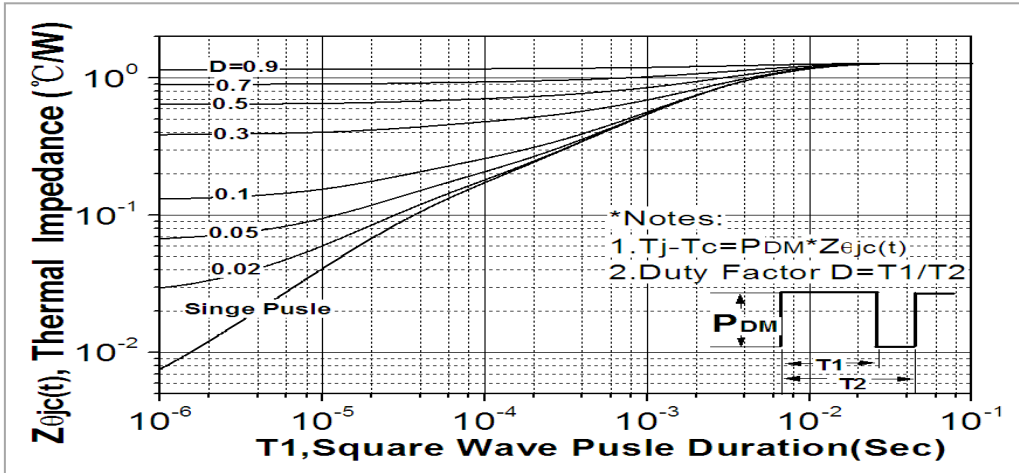


Fig. 13. Transient thermal response curve (TO-220F)

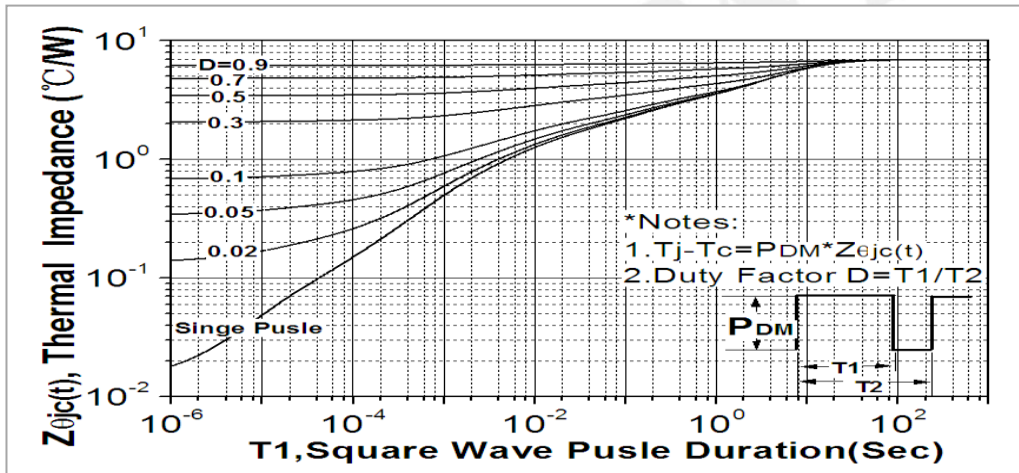


Fig. 14. Gate charge test circuit & waveform

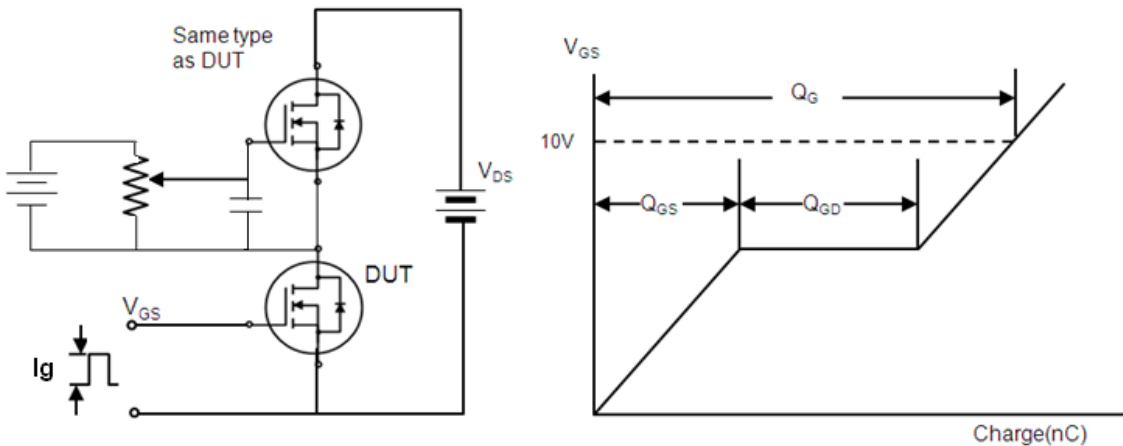


Fig. 15. Switching time test circuit & waveform

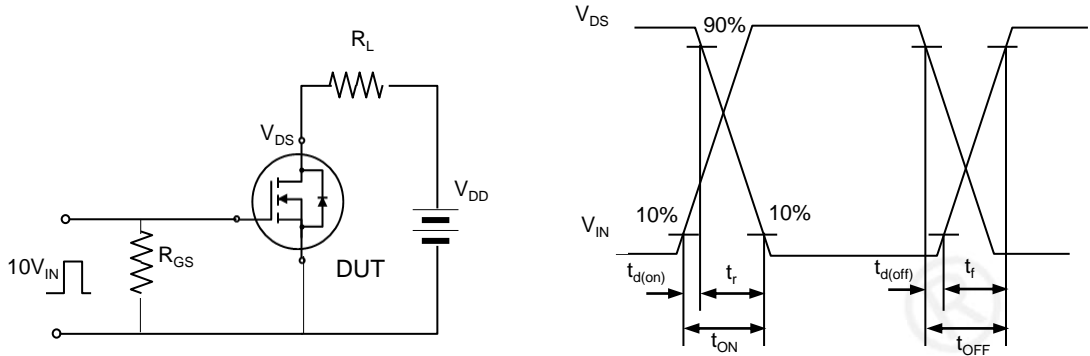


Fig. 16. Unclamped Inductive switching test circuit & waveform

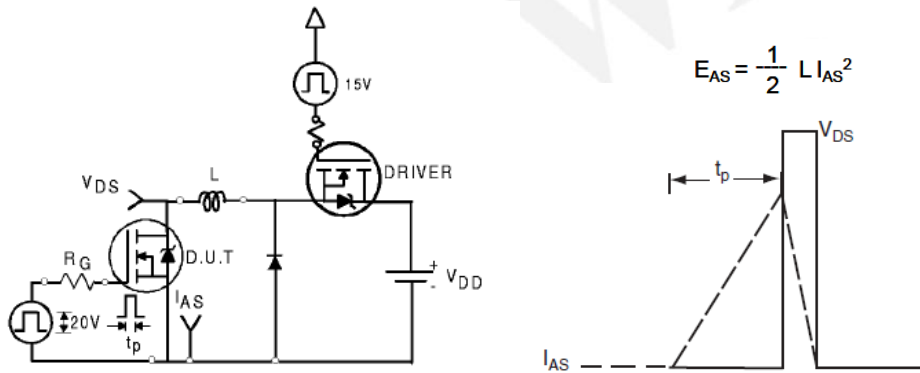
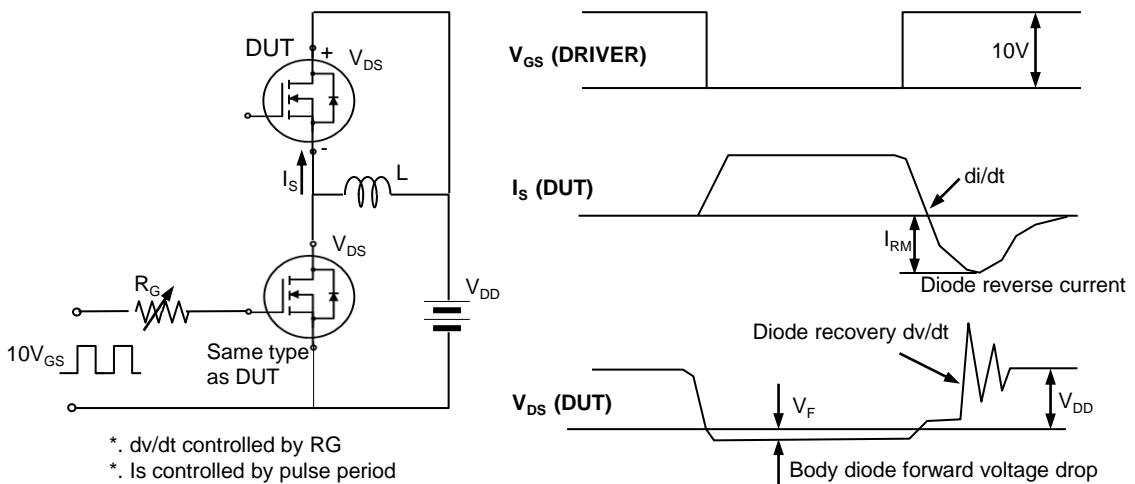



Fig. 17. Peak diode recovery dv/dt test circuit & waveform



Samwin[®]
内部保密

DISCLAIMER

- * All the data & curve in this document was tested in SEMIPOWER TESTING & APPLICATION CENTER.
- * This product has passed the PCT,TC,HTRB,HTGB,HAST,PC and Solderdunk reliability testing.
- * Qualification standards can also be found on the Web site (<http://www.semipower.com.cn>) 
- * Suggestions for improvement are appreciated, Please send your suggestions to samwin@samwinsemi.com

X-ON Electronics

Largest Supplier of Electrical and Electronic Components

Click to view similar products for [MOSFET](#) category:

Click to view products by [Sam&wing](#) manufacturer:

Other Similar products are found below :

[IRFD120](#) [JANTX2N5237](#) [2SK2267\(Q\)](#) [BUK455-60A/B](#) [TK100A10N1,S4X\(S](#) [MIC4420CM-TR](#) [VN1206L](#) [NDP4060](#) [SI4482DY](#)
[IRS2092STRPBF-EL](#) [IPS70R2K0CEAKMA1](#) [TK31J60W5,S1VQ\(O](#) [TK31J60W,S1VQ\(O](#) [TK16J60W,S1VQ\(O](#) [2SK2614\(TE16L1,Q\)](#)
[DMN1017UCP3-7](#) [EFC2J004NUZTDG](#) [P85W28HP2F-7071](#) [DMN1053UCP4-7](#) [NTE2384](#) [DMC2700UDMQ-7](#) [DMN2080UCB4-7](#)
[DMN61D9UWQ-13](#) [US6M2GTR](#) [DMN31D5UDJ-7](#) [DMP22D4UFO-7B](#) [IPS60R3K4CEAKMA1](#) [DMN1006UCA6-7](#) [DMN16M9UCA6-7](#)
[STF5N65M6](#) [IRF40H233XTMA1](#) [STU5N65M6](#) [DMN6022SSD-13](#) [DMN13M9UCA6-7](#) [DMTH10H4M6SPS-13](#) [IPS60R360PFD7SAKMA1](#)
[DMN2990UFB-7B](#) [SSM3K35CT,L3F](#) [IPLK60R1K0PFD7ATMA1](#) [2N7002W-G](#) [MCAC30N06Y-TP](#) [IPWS65R035CFD7AXKSA1](#)
[MCQ7328-TP](#) [SSM3J143TU,LXHF](#) [DMN12M3UCA6-7](#) [PJMF280N65E1_T0_00201](#) [PJMF380N65E1_T0_00201](#)
[PJMF280N60E1_T0_00201](#) [PJMF600N65E1_T0_00201](#) [PJMF900N65E1_T0_00201](#)