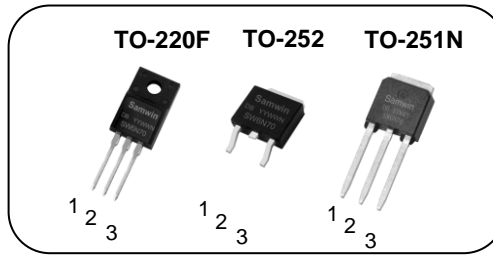


N-channel Enhanced mode TO-220F /TO-252/TO-251N MOSFET

Features

- High ruggedness
- Low $R_{DS(ON)}$ (Typ 1.4 Ω)@ $V_{GS}=10V$
- Low Gate Charge (Typ 30nC)
- Improved dv/dt Capability
- 100% Avalanche Tested
- Application:LED, PC Power, Charger

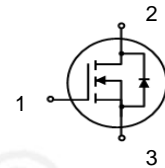


1. Gate 2. Drain 3. Source

$BV_{DSS} : 700V$

$I_D : 6A$

$R_{DS(ON)} : 1.4\Omega$



General Description

This power MOSFET is produced with advanced technology of SAMWIN.

This technology enable the power MOSFET to have better characteristics, including fast switching time, low on resistance, low gate charge and especially excellent avalanche characteristics.



Order Codes

Item	Sales Type	Marking	Package	Packaging
1	SW F 6N70DB	SW6N70DB	TO-220F	TUBE
2	SW D 6N70DB	SW6N70DB	TO-252	REEL
3	SW N 6N70DB	SW6N70DB	TO-251N	TUBE

Absolute maximum ratings

Symbol	Parameter	Value			Unit
		TO-220F	TO-252	TO-251N	
V_{DSS}	Drain to source voltage	700			V
I_D	Continuous drain current (@ $T_C=25^\circ C$)	6*			A
	Continuous drain current (@ $T_C=100^\circ C$)	3.8*			A
I_{DM}	Drain current pulsed (note 1)	24			A
V_{GS}	Gate to source voltage	± 30			V
E_{AS}	Single pulsed avalanche energy (note 2)	360			mJ
E_{AR}	Repetitive avalanche energy (note 1)	25			mJ
dv/dt	Peak diode recovery dv/dt (note 3)	5			V/ns
P_D	Total power dissipation (@ $T_C=25^\circ C$)	25.5	174.9	236	W
	Derating factor above 25 $^\circ C$	0.2	1.4	1.9	W/ $^\circ C$
T_{STG}, T_J	Operating junction temperature & storage temperature	-55 ~ + 150			$^\circ C$
T_L	Maximum lead temperature for soldering purpose, 1/8 from case for 5 seconds.	300			$^\circ C$

*. Drain current is limited by junction temperature.

Thermal characteristics

Symbol	Parameter	Value			Unit
		TO-220F	TO-252	TO-251N	
R_{thjc}	Thermal resistance, Junction to case	4.9	0.7	0.53	$^\circ C/W$
R_{thja}	Thermal resistance, Junction to ambient	49		87	$^\circ C/W$

Electrical characteristic ($T_C = 25^\circ\text{C}$ unless otherwise specified)

Symbol	Parameter	Test conditions	Min.	Typ.	Max.	Unit
Off characteristics						
BV_{DSS}	Drain to source breakdown voltage	$V_{GS}=0V, I_D=250\mu A$	700			V
$\Delta BV_{DSS} / \Delta T_J$	Breakdown voltage temperature coefficient	$I_D=250\mu A$, referenced to 25°C		0.66		V/ $^\circ\text{C}$
I_{DSS}	Drain to source leakage current	$V_{DS}=700V, V_{GS}=0V$			1	μA
		$V_{DS}=560V, T_C=125^\circ\text{C}$			50	μA
I_{GSS}	Gate to source leakage current, forward	$V_{GS}=30V, V_{DS}=0V$			100	nA
	Gate to source leakage current, reverse	$V_{GS}=-30V, V_{DS}=0V$			-100	nA
On characteristics						
$V_{GS(TH)}$	Gate threshold voltage	$V_{DS}=V_{GS}, I_D=250\mu A$	2.5		4.5	V
$R_{DS(ON)}$	Drain to source on state resistance	$V_{GS}=10V, I_D=3A$		1.4	1.7	Ω
G_{fs}	Forward transconductance	$V_{DS}=30V, I_D=3A$		5.5		S
Dynamic characteristics						
C_{iss}	Input capacitance	$V_{GS}=0V, V_{DS}=25V, f=1\text{MHz}$		1440		pF
C_{oss}	Output capacitance			93		
C_{rss}	Reverse transfer capacitance			11		
$t_{d(on)}$	Turn on delay time	$V_{DS}=350V, I_D=6A, R_G=25\Omega, V_{GS}=10V$ (note 4,5)		18		ns
t_r	Rising time			30		
$t_{d(off)}$	Turn off delay time			62		
t_f	Fall time			30		
Q_g	Total gate charge	$V_{DS}=560V, V_{GS}=10V, I_D=6A$ (note 4,5)		30		nC
Q_{gs}	Gate-source charge			7		
Q_{gd}	Gate-drain charge			12		
R_g	Gate resistance	$V_{DS}=0V$, Scan F mode		1.4		Ω

Source to drain diode ratings characteristics

Symbol	Parameter	Test conditions	Min.	Typ.	Max.	Unit
I_S	Continuous source current	Integral reverse p-n Junction diode in the MOSFET			6	A
I_{SM}	Pulsed source current				24	A
V_{SD}	Diode forward voltage drop.	$I_S=6A, V_{GS}=0V$			1.4	V
t_{rr}	Reverse recovery time	$I_S=6A, V_{GS}=0V,$ $di_F/dt=100A/\mu s$		486		ns
Q_{rr}	Reverse recovery charge				3.8	μC

※. Notes

1. Repetitive rating : pulse width limited by junction temperature.
2. $L = 20\text{mH}, I_{AS} = 6A, V_{DD} = 50V, R_G=25\Omega$, Starting $T_J = 25^\circ\text{C}$
3. $I_{SD} \leq 6A, di/dt = 100A/\mu s, V_{DD} \leq BV_{DSS}$, Starting $T_J = 25^\circ\text{C}$
4. Pulse Test : Pulse Width $\leq 300\mu s$, duty cycle $\leq 2\%$
5. Essentially independent of operating temperature.

Fig. 1. On-state characteristics

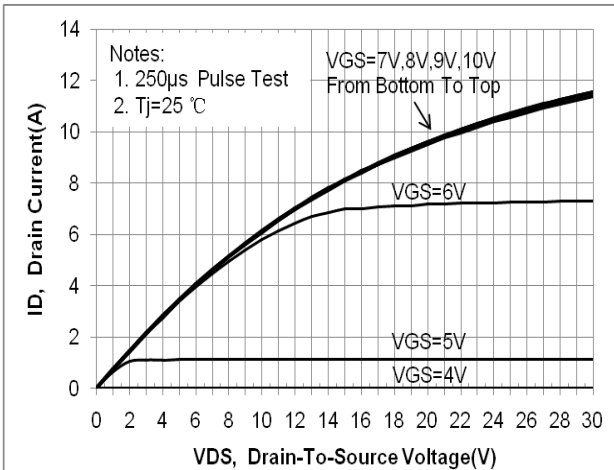


Fig. 2. On-resistance variation vs. drain current and gate voltage

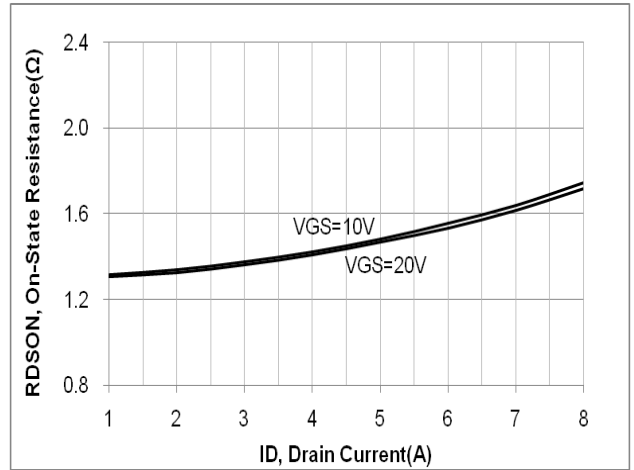


Fig. 3. Gate charge characteristics

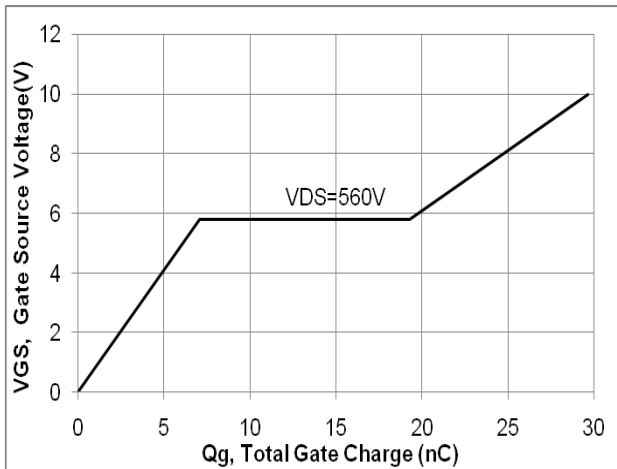


Fig. 4. On state current vs. diode forward voltage

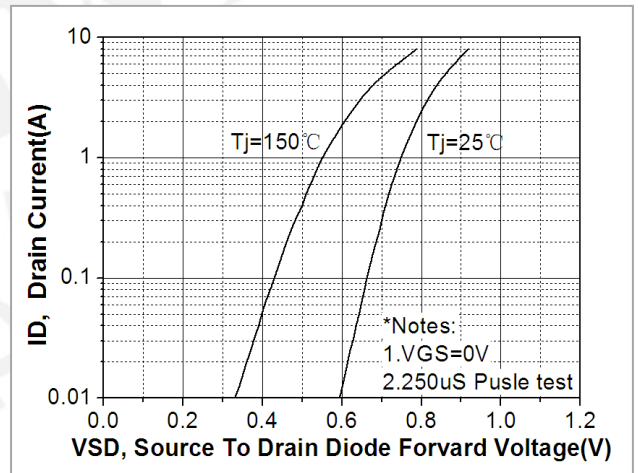


Fig 5. Breakdown Voltage Variation vs. Junction Temperature

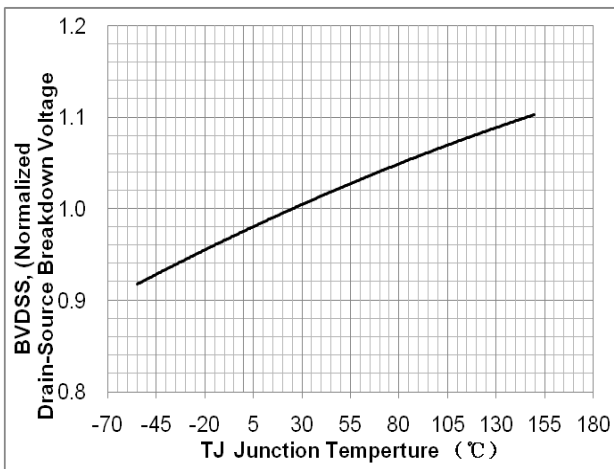


Fig. 6. On resistance variation vs. junction temperature

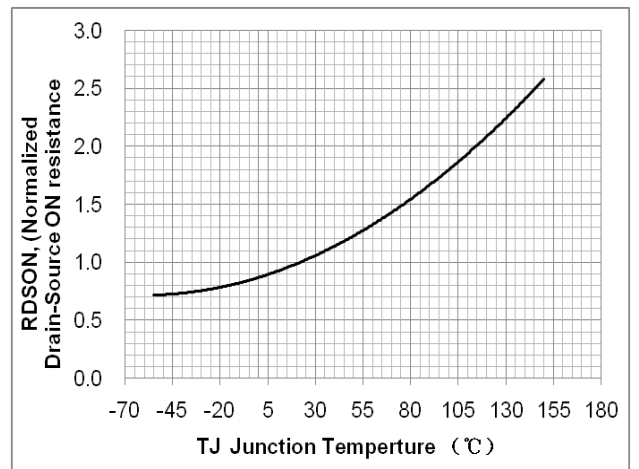


Fig. 7. Maximum safe operating area (TO-220F)

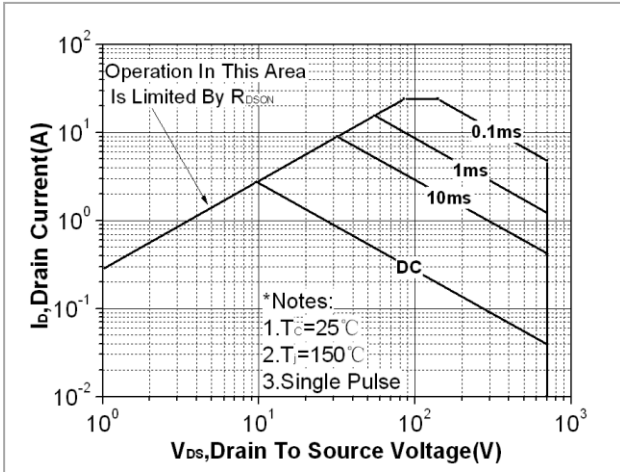


Fig. 8. Maximum safe operating area (TO-252)

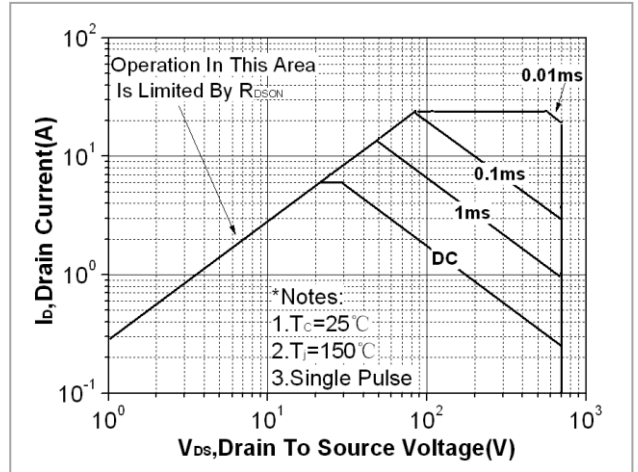


Fig. 9. Maximum safe operating area (TO-251N)

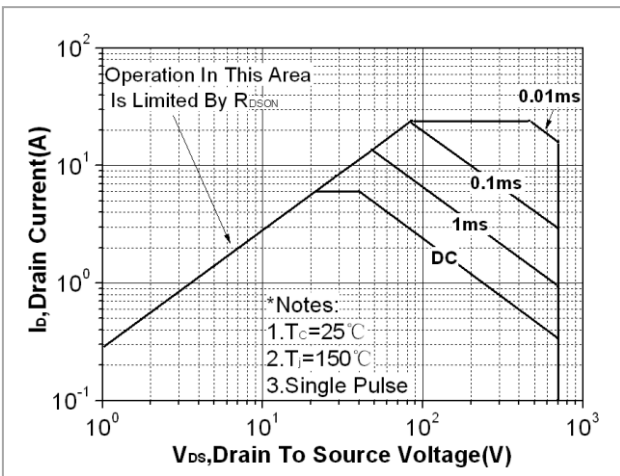


Fig. 10. Capacitance Characteristics

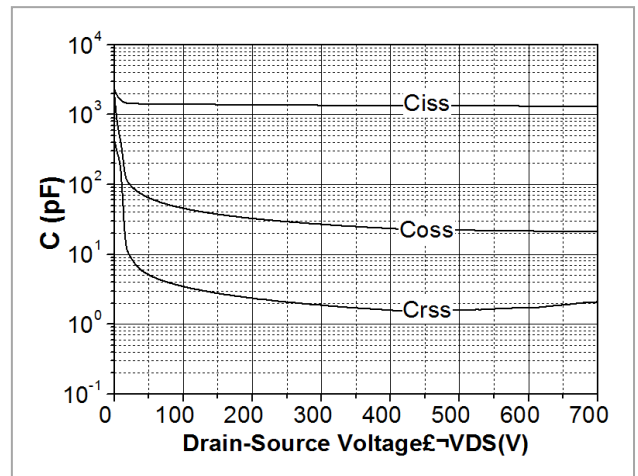


Fig. 11. Transient thermal response curve (TO-220F)

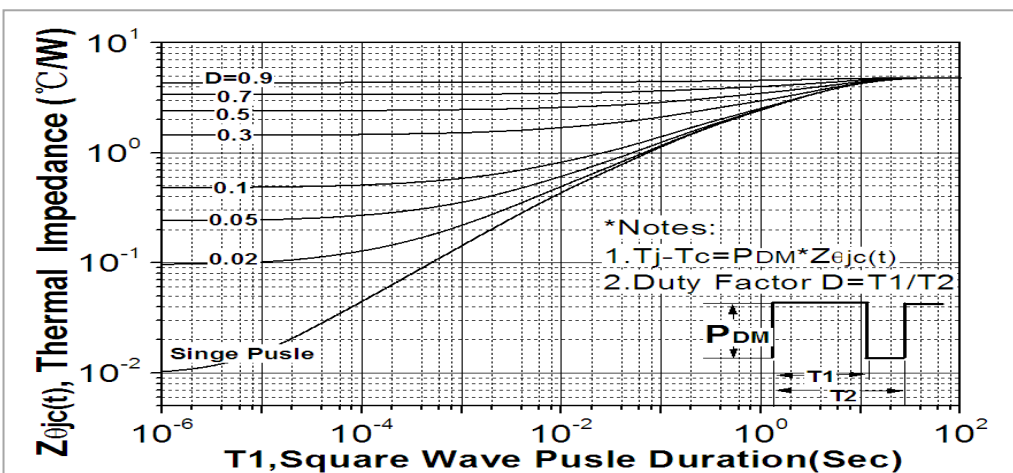


Fig. 12. Transient thermal response curve (TO-252)

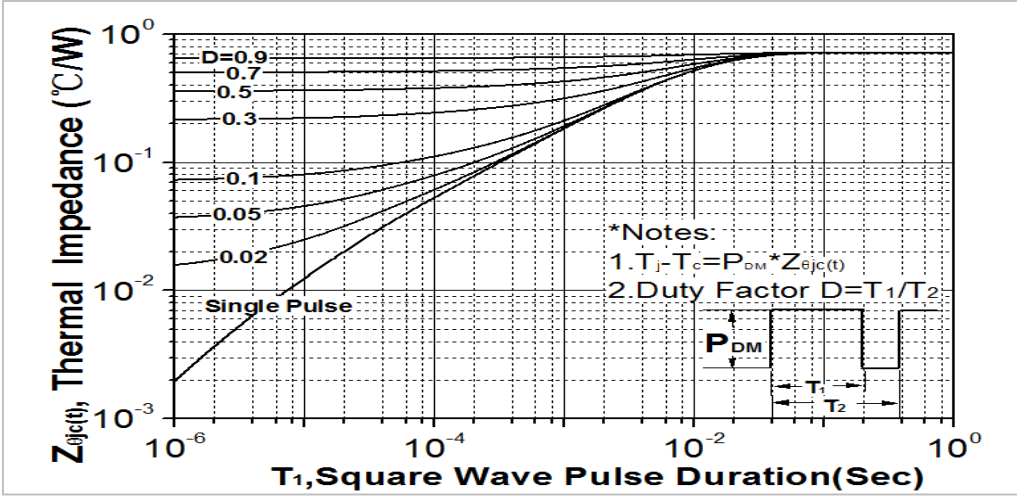


Fig. 13. Transient thermal response curve (TO-251N)

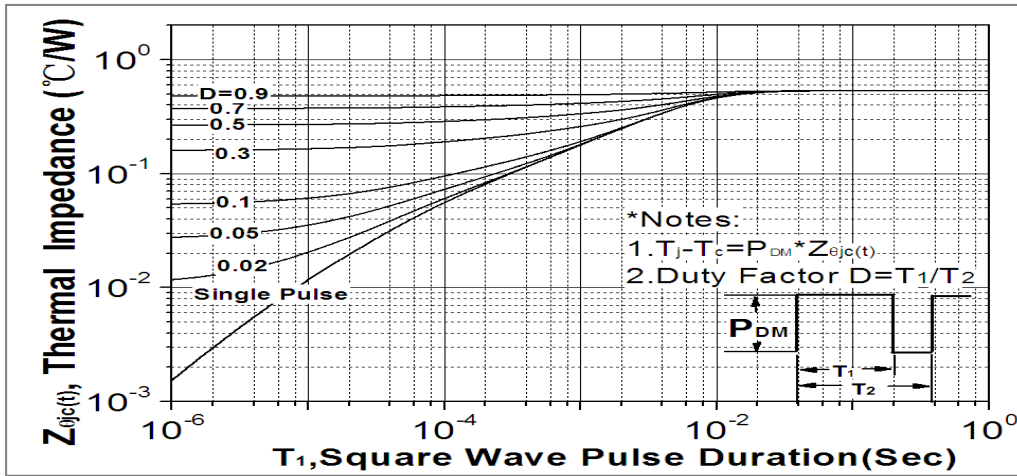


Fig. 14. Gate charge test circuit & waveform

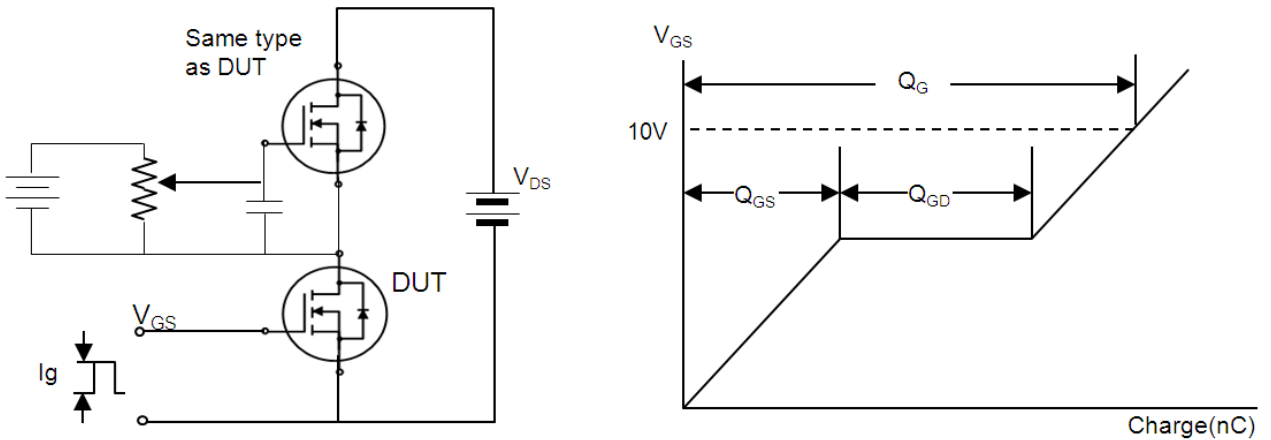


Fig. 15. Switching time test circuit & waveform

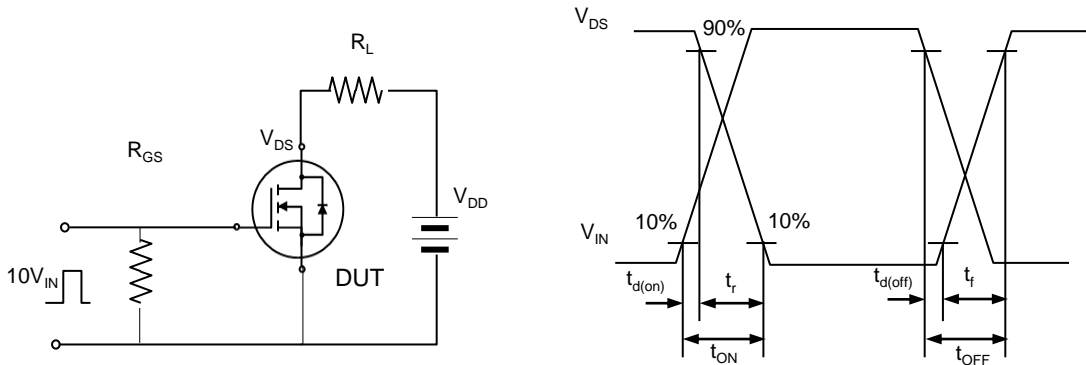


Fig. 16. Unclamped Inductive switching test circuit & waveform

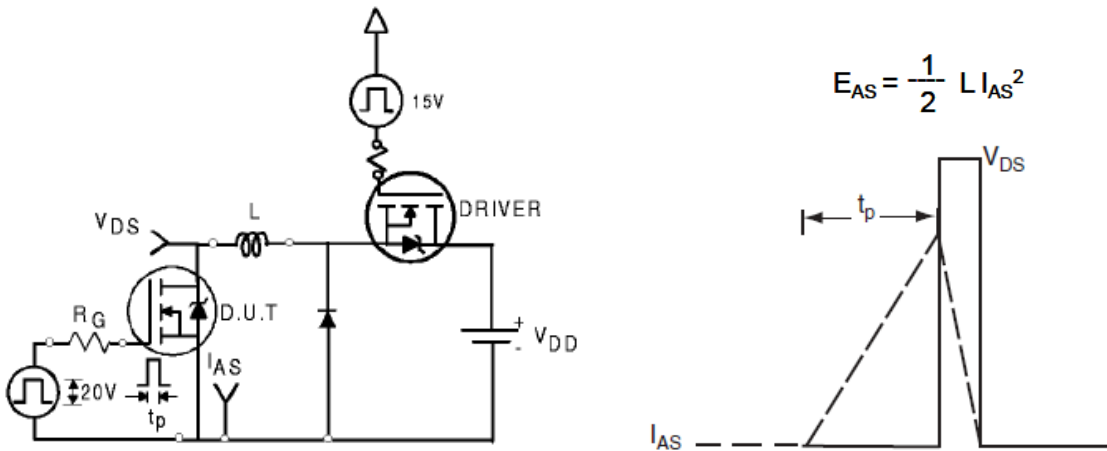
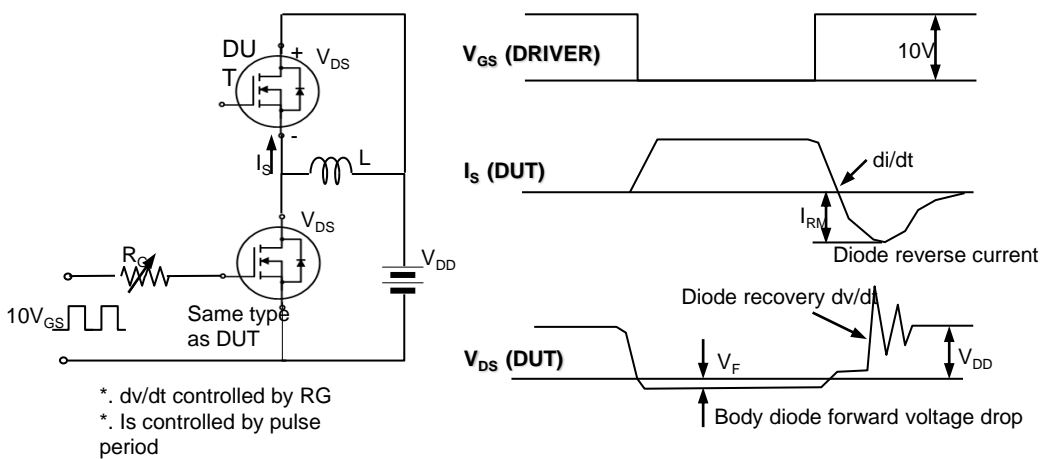



Fig. 17. Peak diode recovery dv/dt test circuit & waveform



DISCLAIMER

- * All the data & curve in this document was tested in SEMIPOWER TESTING & APPLICATION CENTER.
- * This product has passed the PCT,TC,HTRB,HTGB,HAST,PC and Solderdunk reliability testing.
- * Qualification standards can also be found on the Web site (<http://www.semipower.com.cn>) 
- * Suggestions for improvement are appreciated, Please send your suggestions to samwin@samwinsemi.com

X-ON Electronics

Largest Supplier of Electrical and Electronic Components

Click to view similar products for [MOSFET](#) category:

Click to view products by [Sam&wing](#) manufacturer:

Other Similar products are found below :

[614233C](#) [648584F](#) [MCH3443-TL-E](#) [MCH6422-TL-E](#) [FDPF9N50NZ](#) [NTNS3A92PZT5G](#) [IRFD120](#) [IRFF430](#) [JANTX2N5237](#) [2N7000](#)
[AOD464](#) [2SK2267\(Q\)](#) [2SK2545\(Q,T\)](#) [405094E](#) [423220D](#) [MIC4420CM-TR](#) [VN1206L](#) [614234A](#) [715780A](#) [SSM6J414TU,LF\(T](#) [751625C](#)
[IPS70R2K0CEAKMA1](#) [BSF024N03LT3 G](#) [PSMN4R2-30MLD](#) [TK31J60W5,S1VQ\(O](#) [2SK2614\(TE16L1,Q\)](#) [DMN1017UCP3-7](#)
[EFC2J004NUZTDG](#) [FCAB21350L1](#) [P85W28HP2F-7071](#) [DMN1053UCP4-7](#) [NTE2384](#) [NTE2969](#) [NTE6400A](#) [DMC2700UDMQ-7](#)
[DMN2080UCB4-7](#) [DMN61D9UWQ-13](#) [US6M2GTR](#) [DMN31D5UDJ-7](#) [SSM6P54TU,LF](#) [DMP22D4UFO-7B](#) [IPS60R3K4CEAKMA1](#)
[DMN1006UCA6-7](#) [DMN16M9UCA6-7](#) [STF5N65M6](#) [IRF40H233XTMA1](#) [IPSA70R950CEAKMA1](#) [IPSA70R2K0CEAKMA1](#) [STU5N65M6](#)
[C3M0021120D](#)