

## BXJ Series

• 105°C 2,000~5,000Hrs assured.

- Vertical SMD type.
- Very low Impedance, Long Life.
- For STB, Tuner.
- RoHS compliant.
- Halogen-free capacitors are also available.

• AEC-Q200 compliant : Please contact us for more details, test data, information.

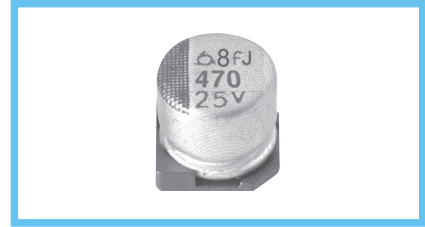
Solvent-proof

WV ≤ 63V<sub>DC</sub>

BXE

→ Long Life

BXJ

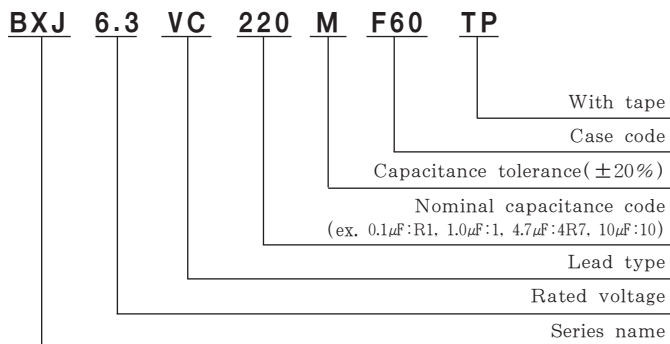


### SPECIFICATIONS

Item	Characteristics								
Rated Voltage Range	6.3 ~ 50V <sub>DC</sub>				63 ~ 100V <sub>DC</sub>				
Operating Temperature Range	-55 ~ +105°C				-40 ~ +105°C				
Capacitance Tolerance	±20%(M) (at 20°C, 120Hz)								
Leakage Current	I = 0.01CV(μA) or 3μA, whichever is greater. Where, I: Max. Leakage current(μA), C: Nominal capacitance(μF), V: Rated voltage(V <sub>DC</sub> ) (at 20°C, 2 minutes)								
Dissipation Factor(Tanδ)	Rated Voltage(V <sub>DC</sub> )	6.3	10	16	25	35	50	63	100
	Tanδ (Max.)	0.26	0.19	0.16	0.14	0.12	0.12	0.12	0.12
(at 20°C, 120Hz)									
Temperature Characteristics (Max. Impedance ratio)	Rated voltage(V <sub>DC</sub> )	6.3	10	16	25	35	50	63	100
	Z(-25°C)/Z(+20°C)	3	2	2	2	2	2	3	3
	Z(-55°C)/Z(+20°C)	5	4	4	3	3	3	*4	*4
	* Z(-40°C)/Z(+20°C) (at 120Hz)								
Load Life	The following specifications shall be satisfied when the capacitors are restored to 20°C after the rated voltage is applied with the following conditions. D56~H63, J85 : 105°C, 2,000 hours, H10 ~ K14 : 105°C, 5,000 hours.  Capacitance change D56~H63, J85 ≤ ±30% of the initial value H10~K14 ≤ ±35% of the initial value  Tanδ ≤ 300% of the initial specified value  Leakage current ≤ The initial specified value								
Shelf Life	The following specifications shall be satisfied when the capacitors are restored to 20°C after exposing them for 1,000 hours at 105°C without voltage applied. The rated voltage shall be applied to the capacitors for a minimum of 30 minutes, at least 24 hours and not more than 48 hours before the measurements.  Capacitance change D56~H63, J85 ≤ ±30% of the initial value H10~K14 ≤ ±35% of the initial value  Tanδ ≤ 300% of the initial specified value  Leakage current ≤ The initial specified value								
Others	Satisfied characteristics KS C IEC 60384-4								

BXJ Series

### PART NUMBERING SYSTEM



### RATED RIPPLE CURRENT MULTIPLIERS

Frequency Multipliers

Size code	Cap.(μF)	Freq.(Hz)			
		120	1K	10K	100K
D56 ~ J10	4.7	0.35	0.70	0.90	1.00
	10 ~ 100	0.40	0.75	0.90	1.00
	220 ~ 470	0.50	0.85	0.94	1.00
	1,000 ~ 1,500	0.60	0.87	0.95	1.00
K14	47 ~ 100	0.40	0.75	0.90	1.00
	330 ~ 470	0.50	0.85	0.94	1.00
	680 ~ 2,000	0.60	0.87	0.95	1.00

## DIMENSIONS OF BXJ Series

Unit(mm)

### DIMENSIONS

● Vibration Resistance

<Size code: D56~K14>    <Size code: H10~K14>

: Dummy terminals  
 : Solder land on PC board

Recommended solder land on PC board

### MARKING

Note 1 : L±0.5 for 8×6.3(H63)~12.5×13.5(K14)  
 Note 2 : 4×5.3(D56), 4×5.8(D61), 5×5.3(E56), 5×5.8(E61) is excluded symbol mark.  
 Note 3 : 6.3WV is marked by 6V.

Case code	∅D	L	A	B	C	W	P	a	b	c	a	b	c
D56	4	5.3	4.3	4.3	5.1	0.5~0.8	1.0	1.0	2.6	1.6			
D61	4	5.8	4.3	4.3	5.1	0.5~0.8	1.0	1.0	2.6	1.6			
E56	5	5.3	5.3	5.3	5.9	0.5~0.8	1.4	1.4	3.0	1.6			
E61	5	5.8	5.3	5.3	5.9	0.5~0.8	1.4	1.4	3.0	1.6			
F55	6.3	5.2	6.6	6.6	7.2	0.5~0.8	1.9	1.9	3.5	1.6			
F60	6.3	5.7	6.6	6.6	7.2	0.5~0.8	1.9	1.9	3.5	1.6			
F80	6.3	7.7	6.6	6.6	7.2	0.5~0.8	1.9	1.9	3.5	1.6			
H63	8	6.3	8.3	8.3	9.0	0.5~0.8	2.3	2.3	4.5	1.6			
H10	8	10	8.3	8.3	9.0	0.7~1.1	3.1	3.1	4.2	2.2	3.1	4.2	3.5
J85	10	8.5	10.3	10.3	11.0	0.7~1.1	4.5	4.5	4.4	2.2			
J10	10	10	10.3	10.3	11.0	0.7~1.1	4.5	4.5	4.4	2.2	4.5	4.4	3.5
K14	12.5	13.5	13.0	13.0	13.7	1.0~1.3	4.2	4.0	5.7	2.5	3.4	6.3	9.3

● Vibration Resistance →

## RATINGS OF BXJ Series

V <sub>DC</sub> μF	6.3			10			16			25			35			50			63			100								
	4.7													D56	1.80	85	D61	5.50	45											
10							D56	1.80	85	D56	1.80	85	E56	0.80	155	E61	2.00	50	F60	1.20	120	F60	4.50	48	H63	1.80	85	J85	1.35	100
22				D56	1.80	85	E56	0.80	155	E61	0.70	160	F55	0.55	220	F60	1.20	120	H63	1.50	100	H10	1.00	200	H10	1.50	160			
33	D56	1.80	85	E56	0.80	155	E61	0.70	160	F60	0.36	240	F55	0.55	220	F60	0.36	240	F80	0.90	150	J85	0.95	205	J10	0.60	330			
47	D61	1.35	90	E61	0.70	160	F60	0.36	240	F60	0.36	240	F60	0.36	240	H63	0.75	200	H10	1.00	200	K14	0.40	400						
68	E56	0.80	155	F60	0.36	240	F60	0.36	240	F60	0.36	240	F80	0.34	280	H63	0.26	300	H10	0.44	300	J10	0.50	350	K14	0.40	400			
100	E61	0.70	160	F60	0.36	240	F60	0.36	240	H63	0.26	300	H10	0.16	600	H10	0.44	300	J10	0.50	350	K14	0.40	400						
220	F60	0.36	240	F80	0.34	280	F80	0.34	280	J85	0.15	620	H10	0.16	600	H10	0.16	600	J10	0.25	500									
330	F80	0.34	280	H10	0.16	600	J85	0.15	620	H10	0.16	600	J10	0.08	850	J10	0.08	850	K14	0.11	650									
470	H10	0.16	600	H10	0.16	600	J10	0.08	850	J10	0.08	850	K14	0.06	1,100															
1,000	J85	0.15	620	J85	0.15	620																								
1,500	H10	0.16	600	J10	0.08	850	K14	0.06	1,100	K14	0.06	1,100																		
2,200	J10	0.08	850	K14	0.06	1,100																								
	K14	0.06	1,100	K14	0.06	1,100																								

Rated Ripple Current (mA rms/105°C, 100kHz)  
 Impedance (Ω max./20°C, 100kHz)  
 Case code

## X-ON Electronics

Largest Supplier of Electrical and Electronic Components

*Click to view similar products for [Aluminium Electrolytic Capacitors - SMD category](#):*

*Click to view products by [SamYoung manufacturer](#):*

Other Similar products are found below :

[EEV-FK1E332W](#) [ULV2H1R8MNL1GS](#) [MAL214099813E3](#) [CA025M4R70REB-0405](#) [HUB1800-S](#) [34610](#) [RYK-50V101MG5TT-FL](#)  
[107AXZ016MQ5](#) [RVJ-50V101MH10U-R](#) [EMVH101GRA221MMN0S](#) [MAL214097402E3](#) [MAL215375471E3](#) [MAL224699909E3](#)  
[MAL224699813E3](#) [MAL215099014E3](#) [MAL215099017E3](#) [MAL215099117E3](#) [MAL215099818E3](#) [AEH1010331M025R](#)  
[AEA1010221M035R](#) [AEA1010470M080R](#) [AEH1010221M025R](#) [AEA1010102M016R](#) [AEA0810331M025R](#) [AEA1213331M050R](#)  
[AEH1012471M016R](#) [MAL213967339E3](#) [ZSC00AF2211EARL](#) [VB1E100MB054000CE0](#) [RVT0J471M0607](#) [RVT1000UF10V34RV0081](#)  
[XT100UF50V90RV0067](#) [RVE100UF16V67RV0046](#) [RVT100UF16V67RV0120](#) [XT47UF50V90RV0082](#) [XT22UF50V90RV0083](#)  
[RST22UF50V026](#) [RST10UF16V013](#) [RST100UF25V004](#) [RST100UF35V009](#) [RST47UF25V035](#) [RST47UF50V038](#) [RST220UF25V019](#)  
[RSL220UF25V021](#) [XT10UF25V90RV0068](#) [FZ100UF50V90RV0066](#) [RST100UF16V003](#) [XT100UF10V90RV0060](#) [XT100UF16V90RV0061](#)  
[RT100UF35V90RV0102](#)