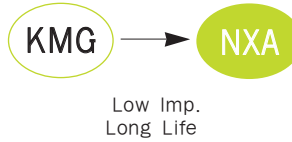


NXA Series

• 105°C 4,000 ~ 10,000Hrs assured.

- Non-solvent proof.
- Low Impedance, Long Life.
- For SMPS, IP-Board, Adaptor, Noise Filter, Charger.
- RoHS compliant.
- Halogen-free capacitors are also available.

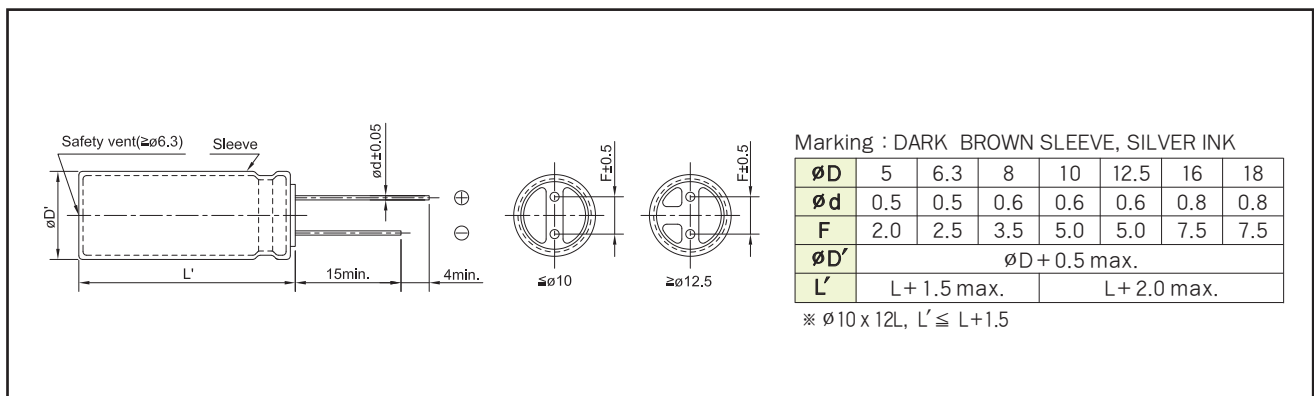


SPECIFICATIONS

| Item | Characteristics | | | | | | | | | | | | | | | | | | | | | | | | | | | | | | |
|--|--|---------------------------------|--------------|--------|-----------|-----------|-------------|-------------|-------------|-----------|-------------|-------------------|--------------|------|------|------|------|------|------|------|------|-------------------|---|---|---|---|---|---|---|---|---|
| Rated Voltage Range | 6.3 ~ 100 V _{DC} | | | | | | | | | | | | | | | | | | | | | | | | | | | | | | |
| Operating Temperature Range | -40 ~ +105°C | | | | | | | | | | | | | | | | | | | | | | | | | | | | | | |
| Capacitance Tolerance | ±20%(M) (at 20°C, 120Hz) | | | | | | | | | | | | | | | | | | | | | | | | | | | | | | |
| Leakage Current | I = 0.01CV(μA) or 3μA, whichever is greater. Where, I:Max. Leakage current(μA), C:Nominal capacitance(μF), V:Rated voltage(V _{DC}) (at 20°C, 2 minutes) | | | | | | | | | | | | | | | | | | | | | | | | | | | | | | |
| Dissipation Factor(Tanδ) | <table border="1"> <tr> <td>Rated Voltage(V_{DC})</td> <td>6.3</td> <td>10</td> <td>16</td> <td>25</td> <td>35</td> <td>50</td> <td>63</td> <td>80</td> <td>100</td> </tr> <tr> <td>Tanδ(Max.)</td> <td>0.22</td> <td>0.19</td> <td>0.16</td> <td>0.14</td> <td>0.12</td> <td>0.10</td> <td>0.09</td> <td>0.09</td> <td>0.08</td> </tr> </table> <p>When the capacitance exceeds 1,000μF, 0.02 shall be added every 1,000μF increase. (at 20°C, 120Hz)</p> | Rated Voltage(V _{DC}) | 6.3 | 10 | 16 | 25 | 35 | 50 | 63 | 80 | 100 | Tanδ(Max.) | 0.22 | 0.19 | 0.16 | 0.14 | 0.12 | 0.10 | 0.09 | 0.09 | 0.08 | | | | | | | | | | |
| Rated Voltage(V _{DC}) | 6.3 | 10 | 16 | 25 | 35 | 50 | 63 | 80 | 100 | | | | | | | | | | | | | | | | | | | | | | |
| Tanδ(Max.) | 0.22 | 0.19 | 0.16 | 0.14 | 0.12 | 0.10 | 0.09 | 0.09 | 0.08 | | | | | | | | | | | | | | | | | | | | | | |
| Temperature Characteristics (Max. Impedance ratio) | <table border="1"> <tr> <td>Rated Voltage(V_{DC})</td> <td>6.3</td> <td>10</td> <td>16</td> <td>25</td> <td>35</td> <td>50</td> <td>63</td> <td>80</td> <td>100</td> </tr> <tr> <td>Z(-25°C)/Z(+20°C)</td> <td>4</td> <td>3</td> <td>2</td> <td>2</td> <td>2</td> <td>2</td> <td>2</td> <td>2</td> <td>2</td> </tr> <tr> <td>Z(-40°C)/Z(+20°C)</td> <td>8</td> <td>6</td> <td>4</td> <td>3</td> <td>3</td> <td>3</td> <td>3</td> <td>3</td> <td>3</td> </tr> </table> <p>(at 120Hz)</p> | Rated Voltage(V _{DC}) | 6.3 | 10 | 16 | 25 | 35 | 50 | 63 | 80 | 100 | Z(-25°C)/Z(+20°C) | 4 | 3 | 2 | 2 | 2 | 2 | 2 | 2 | 2 | Z(-40°C)/Z(+20°C) | 8 | 6 | 4 | 3 | 3 | 3 | 3 | 3 | 3 |
| Rated Voltage(V _{DC}) | 6.3 | 10 | 16 | 25 | 35 | 50 | 63 | 80 | 100 | | | | | | | | | | | | | | | | | | | | | | |
| Z(-25°C)/Z(+20°C) | 4 | 3 | 2 | 2 | 2 | 2 | 2 | 2 | 2 | | | | | | | | | | | | | | | | | | | | | | |
| Z(-40°C)/Z(+20°C) | 8 | 6 | 4 | 3 | 3 | 3 | 3 | 3 | 3 | | | | | | | | | | | | | | | | | | | | | | |
| Load Life | <p>The following specifications shall be satisfied when the capacitors are restored to 20°C after the rated voltage with the rated ripple current is applied (the peak voltage shall not exceed the rated voltage) at 105°C for the specified period of time.</p> <table border="1"> <tr> <td>V_{DC}</td> <td>φ5~φ6.3</td> <td>φ8~φ10</td> <td>φ12.5~φ18</td> </tr> <tr> <td>6.3~10(V)</td> <td>4,000 hours</td> <td>6,000 hours</td> <td>8,000 hours</td> </tr> <tr> <td>16~100(V)</td> <td>5,000 hours</td> <td>7,000 hours</td> <td>10,000 hours</td> </tr> </table> <p>Capacitance change ≤ ±25% of the initial value Tanδ ≤ 200% of the initial specified value Leakage current ≤ The initial specified value</p> | V _{DC} | φ5~φ6.3 | φ8~φ10 | φ12.5~φ18 | 6.3~10(V) | 4,000 hours | 6,000 hours | 8,000 hours | 16~100(V) | 5,000 hours | 7,000 hours | 10,000 hours | | | | | | | | | | | | | | | | | | |
| V _{DC} | φ5~φ6.3 | φ8~φ10 | φ12.5~φ18 | | | | | | | | | | | | | | | | | | | | | | | | | | | | |
| 6.3~10(V) | 4,000 hours | 6,000 hours | 8,000 hours | | | | | | | | | | | | | | | | | | | | | | | | | | | | |
| 16~100(V) | 5,000 hours | 7,000 hours | 10,000 hours | | | | | | | | | | | | | | | | | | | | | | | | | | | | |
| Shelf Life | <p>The following specifications shall be satisfied when the capacitors are restored to 20°C after exposing them for 500 hours at 105°C without voltage applied. The rated voltage shall be applied to the capacitors for a minimum of 30 minutes, at least 24 hours and not more than 48 hours before the measurements.</p> <p>Capacitance change ≤ ±25% of the initial value Tanδ ≤ 200% of the initial specified value Leakage current ≤ The initial specified value</p> | | | | | | | | | | | | | | | | | | | | | | | | | | | | | | |
| Others | Satisfied characteristics KS C IEC 60384-4 | | | | | | | | | | | | | | | | | | | | | | | | | | | | | | |

DIMENSIONS OF NXA Series

Unit(mm)



RATINGS OF NXA Series

| V _{dc} #DxL(mm) | 6.3 | | | | 10 | | | | 16 | | | |
|-----------------------------|--------|-------|-------|--------|--------|-------|-------|--------|--------|-------|-------|--------|
| | μF | IMP. | | Ripple | μF | IMP. | | Ripple | μF | IMP. | | Ripple |
| | | 20°C | -10°C | | | 20°C | -10°C | | | 20°C | -10°C | |
| 5 × 11 | 150 | 0.58 | 2.3 | 210 | 100 | 0.58 | 2.3 | 210 | 56 | 0.58 | 2.3 | 210 |
| 6.3 × 11 | 330 | 0.22 | 0.87 | 340 | 220 | 0.22 | 0.87 | 340 | 120 | 0.22 | 0.87 | 340 |
| 8 × 11.5 | 680 | 0.130 | 0.52 | 640 | 470 | 0.130 | 0.52 | 640 | 330 | 0.130 | 0.52 | 640 |
| 8 × 15 | 1,000 | 0.087 | 0.35 | 840 | 680 | 0.087 | 0.35 | 840 | 470 | 0.087 | 0.35 | 840 |
| 8 × 20 | 1,200 | 0.069 | 0.27 | 1,050 | 1,000 | 0.069 | 0.27 | 1,050 | 680 | 0.069 | 0.27 | 1,050 |
| 10 × 12 | 820 | 0.080 | 0.32 | 865 | 680 | 0.080 | 0.32 | 865 | 470 | 0.080 | 0.32 | 865 |
| 10 × 12.5 | 820 | 0.080 | 0.32 | 865 | 680 | 0.080 | 0.32 | 865 | 470 | 0.080 | 0.32 | 865 |
| 10 × 16 | 1,200 | 0.060 | 0.24 | 1,210 | 1,000 | 0.060 | 0.24 | 1,210 | 680 | 0.060 | 0.24 | 1,210 |
| 10 × 20 | 1,500 | 0.046 | 0.18 | 1,400 | 1,200 | 0.046 | 0.18 | 1,400 | 1,000 | 0.046 | 0.18 | 1,400 |
| 10 × 25 | 2,200 | 0.042 | 0.17 | 1,650 | 1,500 | 0.042 | 0.17 | 1,650 | 1,200 | 0.042 | 0.17 | 1,650 |
| 10 × 30 | 2,700 | 0.031 | 0.12 | 1,910 | 2,200 | 0.031 | 0.12 | 1,910 | 1,500 | 0.031 | 0.12 | 1,910 |
| 12.5 × 16 | 1,800 | 0.049 | 0.16 | 1,450 | 1,500 | 0.049 | 0.16 | 1,450 | 1,000 | 0.049 | 0.16 | 1,450 |
| 12.5 × 20 | 3,300 | 0.035 | 0.12 | 1,900 | 2,200 | 0.035 | 0.12 | 1,900 | 1,500 | 0.035 | 0.12 | 1,900 |
| 12.5 × 25 | 3,900 | 0.027 | 0.089 | 2,230 | 3,300 | 0.027 | 0.089 | 2,230 | 2,200 | 0.027 | 0.089 | 2,230 |
| 12.5 × 30 | 4,700 | 0.024 | 0.078 | 2,650 | 3,900 | 0.024 | 0.078 | 2,650 | 2,700 | 0.024 | 0.078 | 2,650 |
| 12.5 × 35 | 5,600 | 0.020 | 0.065 | 2,880 | 4,700 | 0.020 | 0.065 | 2,880 | 3,300 | 0.020 | 0.065 | 2,880 |
| 16 × 15 | 2,700 | 0.042 | 0.12 | 1,940 | 2,200 | 0.042 | 0.12 | 1,940 | 1,500 | 0.042 | 0.12 | 1,940 |
| 16 × 20 | 5,600 | 0.027 | 0.078 | 2,530 | 3,900 | 0.027 | 0.078 | 2,530 | 2,700 | 0.027 | 0.078 | 2,530 |
| 16 × 25 | 6,800 | 0.021 | 0.060 | 2,930 | 5,600 | 0.021 | 0.06 | 2,930 | 3,900 | 0.021 | 0.06 | 2,930 |
| 16 × 31.5 | 8,200 | 0.017 | 0.050 | 3,450 | 6,800 | 0.017 | 0.05 | 3,450 | 4,700 | 0.017 | 0.05 | 3,450 |
| 16 × 35.5 | 10,000 | 0.015 | 0.044 | 3,610 | 8,200 | 0.015 | 0.044 | 3,610 | 5,600 | 0.015 | 0.044 | 3,610 |
| 16 × 40 | 12,000 | 0.013 | 0.038 | 4,080 | 10,000 | 0.013 | 0.038 | 4,080 | 6,800 | 0.013 | 0.038 | 4,080 |
| 18 × 20 | 6,800 | 0.026 | 0.067 | 2,860 | 5,600 | 0.026 | 0.067 | 2,860 | 3,900 | 0.026 | 0.067 | 2,860 |
| 18 × 25 | 10,000 | 0.019 | 0.049 | 3,140 | 6,800 | 0.019 | 0.049 | 3,140 | 4,700 | 0.019 | 0.049 | 3,140 |
| 18 × 31.5 | 12,000 | 0.017 | 0.047 | 4,170 | 8,200 | 0.017 | 0.047 | 4,170 | 5,600 | 0.017 | 0.047 | 4,170 |
| 18 × 35.5 | 15,000 | 0.016 | 0.045 | 4,220 | 10,000 | 0.016 | 0.045 | 4,220 | 8,200 | 0.016 | 0.045 | 4,220 |
| 18 × 40 | 18,000 | 0.015 | 0.043 | 4,280 | 12,000 | 0.015 | 0.043 | 4,280 | 10,000 | 0.015 | 0.043 | 4,280 |

| V _{dc} #DxL(mm) | 25 | | | | 35 | | | | 50 | | | |
|-----------------------------|-------|-------|-------|--------|-------|-------|-------|--------|-------|-------|-------|--------|
| | μF | IMP. | | Ripple | μF | IMP. | | Ripple | μF | IMP. | | Ripple |
| | | 20°C | -10°C | | | 20°C | -10°C | | | 20°C | -10°C | |
| 5 × 11 | 47 | 0.58 | 2.3 | 210 | 33 | 0.58 | 2.3 | 210 | 1 | 4.0 | 16.0 | 50 |
| | | | | | | | | | 2.2 | 2.5 | 10.0 | 51 |
| | | | | | | | | | 3.3 | 2.2 | 8.8 | 53 |
| | | | | | | | | | 4.7 | 3.0 | 12.0 | 80 |
| | | | | | | | | | 10 | 1.5 | 6.0 | 100 |
| 6.3 × 11 | 100 | 0.22 | 0.87 | 340 | 56 | 0.22 | 0.87 | 340 | 22 | 0.70 | 2.8 | 180 |
| | | | | | | | | | 22 | 0.30 | 1.2 | 295 |
| | | | | | | | | | 47 | 0.30 | 1.2 | 340 |
| 8 × 11.5 | 220 | 0.13 | 0.52 | 640 | 150 | 0.13 | 0.52 | 640 | 100 | 0.17 | 0.68 | 555 |
| 8 × 15 | 330 | 0.087 | 0.35 | 840 | 220 | 0.087 | 0.35 | 840 | 120 | 0.12 | 0.48 | 730 |
| 8 × 20 | 470 | 0.069 | 0.27 | 1,050 | 270 | 0.069 | 0.27 | 1,050 | 180 | 0.090 | 0.36 | 910 |
| 10 × 12 | 330 | 0.080 | 0.32 | 865 | 220 | 0.080 | 0.32 | 865 | 150 | 0.12 | 0.48 | 760 |
| 10 × 12.5 | 330 | 0.080 | 0.32 | 865 | 220 | 0.080 | 0.32 | 865 | 150 | 0.12 | 0.48 | 760 |
| 10 × 16 | 470 | 0.060 | 0.24 | 1,210 | 330 | 0.060 | 0.24 | 1,210 | 220 | 0.084 | 0.34 | 1,050 |
| 10 × 20 | 680 | 0.046 | 0.18 | 1,400 | 470 | 0.046 | 0.18 | 1,400 | 270 | 0.060 | 0.24 | 1,220 |
| 10 × 25 | 820 | 0.042 | 0.17 | 1,650 | 560 | 0.042 | 0.17 | 1,650 | 330 | 0.055 | 0.22 | 1,440 |
| 10 × 30 | 1,000 | 0.031 | 0.12 | 1,910 | 680 | 0.031 | 0.12 | 1,910 | 470 | 0.043 | 0.17 | 1,690 |
| 12.5 × 16 | 680 | 0.049 | 0.16 | 1,450 | 470 | 0.049 | 0.16 | 1,450 | 270 | 0.061 | 0.20 | 1,260 |
| 12.5 × 20 | 1,000 | 0.035 | 0.12 | 1,900 | 680 | 0.035 | 0.12 | 1,900 | 470 | 0.045 | 0.15 | 1,660 |
| 12.5 × 25 | 1,500 | 0.027 | 0.089 | 2,230 | 1,000 | 0.027 | 0.089 | 2,230 | 560 | 0.034 | 0.11 | 1,950 |
| 12.5 × 30 | 1,800 | 0.024 | 0.078 | 2,650 | 1,200 | 0.024 | 0.078 | 2,650 | 680 | 0.030 | 0.10 | 2,310 |
| 12.5 × 35 | 2,200 | 0.020 | 0.065 | 2,880 | 1,500 | 0.020 | 0.065 | 2,880 | 820 | 0.025 | 0.083 | 2,510 |
| 16 × 15 | 1,000 | 0.042 | 0.12 | 1,940 | 680 | 0.042 | 0.12 | 1,940 | 470 | 0.055 | 0.17 | 1,690 |
| 16 × 20 | 1,800 | 0.027 | 0.078 | 2,530 | 1,200 | 0.027 | 0.078 | 2,530 | 820 | 0.034 | 0.10 | 2,210 |
| 16 × 25 | 2,700 | 0.021 | 0.060 | 2,930 | 1,800 | 0.021 | 0.060 | 2,930 | 1,000 | 0.025 | 0.075 | 2,555 |
| 16 × 31.5 | 3,300 | 0.017 | 0.050 | 3,450 | 2,200 | 0.017 | 0.050 | 3,450 | 1,200 | 0.022 | 0.066 | 3,010 |
| 16 × 35.5 | 3,900 | 0.015 | 0.044 | 3,610 | 2,700 | 0.015 | 0.044 | 3,610 | 1,500 | 0.019 | 0.057 | 3,150 |
| 16 × 40 | 4,700 | 0.013 | 0.038 | 4,080 | 3,300 | 0.013 | 0.038 | 4,080 | 1,800 | 0.016 | 0.048 | 3,710 |
| 18 × 20 | 2,200 | 0.026 | 0.067 | 2,860 | 1,800 | 0.026 | 0.067 | 2,860 | 1,000 | 0.036 | 0.097 | 2,490 |
| 18 × 25 | 3,300 | 0.019 | 0.049 | 3,140 | 2,200 | 0.019 | 0.049 | 3,140 | 1,200 | 0.026 | 0.070 | 2,740 |
| 18 × 31.5 | 3,900 | 0.017 | 0.047 | 4,170 | 2,700 | 0.017 | 0.047 | 4,170 | 1,800 | 0.021 | 0.057 | 3,635 |
| 18 × 35.5 | 4,700 | 0.016 | 0.045 | 4,220 | 3,300 | 0.016 | 0.045 | 4,220 | 2,200 | 0.017 | 0.046 | 3,680 |
| 18 × 40 | 5,600 | 0.015 | 0.043 | 4,280 | 3,900 | 0.015 | 0.043 | 4,280 | 2,700 | 0.016 | 0.045 | 3,800 |

NXA Series

RATINGS OF NXA Series

| V _{DC} ∅D×L(mm) | 63 | | | | 80 | | | | 100 | | | |
|-----------------------------|-------|-------|-------|--------|-------|-------|-------|--------|-----|-------|-------|--------|
| | μF | IMP. | | Ripple | μF | IMP. | | Ripple | μF | IMP. | | Ripple |
| | | 20°C | -10°C | | | 20°C | -10°C | | | 20°C | -10°C | |
| 5 × 11 | 15 | 0.88 | 3.5 | 165 | | | | | 4.7 | 1.5 | 6.0 | 105 |
| | | | | | | | | | 6.8 | 1.4 | 5.6 | 125 |
| 6.3 × 11 | 33 | 0.35 | 1.4 | 265 | | | | | 15 | 0.57 | 2.3 | 205 |
| 8 × 11.5 | 47 | 0.22 | 0.88 | 500 | | | | | 22 | 0.50 | 1.9 | 310 |
| | | | | | | | | | 56 | 0.22 | 0.88 | 500 |
| 8 × 15 | 82 | 0.16 | 0.64 | 665 | | | | | 39 | 0.25 | 1.0 | 450 |
| 8 × 20 | 120 | 0.12 | 0.48 | 820 | | | | | 68 | 0.19 | 0.76 | 565 |
| 10 × 12 | 82 | 0.11 | 0.44 | 690 | 68 | 0.17 | 0.66 | 480 | 47 | 0.17 | 0.66 | 480 |
| 10 × 12.5 | 82 | 0.11 | 0.44 | 690 | 68 | 0.17 | 0.66 | 480 | 47 | 0.17 | 0.66 | 480 |
| 10 × 16 | 120 | 0.076 | 0.31 | 950 | 100 | 0.11 | 0.47 | 600 | 68 | 0.11 | 0.47 | 600 |
| 10 × 20 | 180 | 0.056 | 0.23 | 1,150 | 120 | 0.084 | 0.34 | 800 | 82 | 0.084 | 0.34 | 800 |
| | | | | | | | | | 100 | 0.084 | 0.34 | 800 |
| 10 × 25 | 220 | 0.046 | 0.19 | 1,350 | 150 | 0.069 | 0.28 | 900 | 100 | 0.069 | 0.28 | 900 |
| | | | | | | | | | 120 | 0.069 | 0.28 | 900 |
| 12.5 × 16 | 180 | 0.072 | 0.29 | 1,150 | 150 | 0.11 | 0.34 | 750 | 100 | 0.11 | 0.34 | 750 |
| 12.5 × 20 | 270 | 0.041 | 0.13 | 1,500 | 220 | 0.062 | 0.18 | 1,100 | 150 | 0.062 | 0.18 | 1,100 |
| 12.5 × 25 | 390 | 0.031 | 0.093 | 1,900 | 330 | 0.047 | 0.14 | 1,250 | 220 | 0.047 | 0.14 | 1,250 |
| 12.5 × 30 | 470 | 0.028 | 0.084 | 2,300 | 390 | 0.042 | 0.13 | 1,500 | 270 | 0.042 | 0.13 | 1,500 |
| 12.5 × 35 | 560 | 0.024 | 0.072 | 2,500 | 470 | 0.036 | 0.11 | 1,650 | 330 | 0.036 | 0.11 | 1,650 |
| | | | | | | | | | 390 | 0.036 | 0.11 | 1,650 |
| 16 × 20 | 470 | 0.032 | 0.096 | 2,000 | 330 | 0.048 | 0.15 | 1,350 | 220 | 0.048 | 0.15 | 1,350 |
| 16 × 25 | 680 | 0.025 | 0.075 | 2,600 | 470 | 0.038 | 0.12 | 1,700 | 330 | 0.036 | 0.11 | 1,650 |
| 16 × 31.5 | 820 | 0.021 | 0.063 | 2,850 | 680 | 0.032 | 0.095 | 1,850 | 470 | 0.032 | 0.095 | 1,850 |
| 16 × 35.5 | 1,000 | 0.019 | 0.057 | 2,900 | 820 | 0.029 | 0.086 | 2,000 | 560 | 0.029 | 0.086 | 2,000 |
| 16 × 40 | 1,200 | 0.018 | 0.054 | 3,400 | 1,000 | 0.027 | 0.081 | 2,200 | 680 | 0.027 | 0.081 | 2,200 |
| 18 × 20 | 680 | 0.030 | 0.090 | 2,500 | 470 | 0.038 | 0.12 | 1,700 | 330 | 0.045 | 0.14 | 1,500 |
| 18 × 25 | 1,000 | 0.024 | 0.072 | 2,800 | 680 | 0.036 | 0.11 | 1,750 | 470 | 0.036 | 0.11 | 1,750 |
| 18 × 31.5 | 1,200 | 0.020 | 0.060 | 3,300 | 820 | 0.030 | 0.090 | 1,900 | 560 | 0.030 | 0.90 | 1,900 |
| 18 × 35.5 | 1,500 | 0.018 | 0.054 | 3,400 | 1,000 | 0.027 | 0.081 | 2,200 | 680 | 0.027 | 0.81 | 2,200 |
| 18 × 40 | 1,800 | 0.017 | 0.051 | 3,500 | 1,200 | 0.026 | 0.077 | 2,700 | 820 | 0.026 | 0.077 | 2,700 |



RATED RIPPLE CURRENT MULTIPLIERS

Frequency Multipliers

| Freq.(Hz) Cap.(μF) | 120 | 1k | 10k | 50K | 100k |
|-----------------------|------|------|------|------|------|
| 1 ~ 180 | 0.40 | 0.75 | 0.90 | 0.95 | 1.00 |
| 220 ~ 560 | 0.50 | 0.85 | 0.94 | 0.96 | 1.00 |
| 680 ~ 1,800 | 0.60 | 0.87 | 0.95 | 0.97 | 1.00 |
| 2,200 ~ 3,900 | 0.75 | 0.90 | 0.95 | 0.97 | 1.00 |
| 4,700 ~ 18,000 | 0.85 | 0.95 | 0.98 | 0.99 | 1.00 |

X-ON Electronics

Largest Supplier of Electrical and Electronic Components

Click to view similar products for [Aluminium Electrolytic Capacitors - Radial Leaded](#) category:

Click to view products by [SAMYOUNG](#) manufacturer:

Other Similar products are found below :

[LXY50VB4.7M-5X11](#) [RFO-100V471MJ7P#](#) [ECE-A1EGE220](#) [B41041A7226M8](#) [B41044A7157M6](#) [NCD681K10KVY5PF](#)

[NEV1000M25EF-BULK](#) [NEV100M35DC](#) [NEV100M63DE](#) [NEV220M25DD-BULK](#) [NEV.33M100AA](#) [NEV4700M50HB](#) [NEV.47M100AA](#)

[NEVH1.0M250AB](#) [NEVH3.3M250BB](#) [NEVH3.3M450CC](#) [KME50VB100M-8X11.5](#) [SG220M1CSA-0407](#) [ES5107M016AE1DA](#)

[ESMG160ETD102MJ16S](#) [ESX472M16B](#) [227RZS050M](#) [476CKH100MSA](#) [477RZS050M](#) [B41793A9108Q1](#) [UVX1V101KPA1FA](#)

[UVX1V222MHA1CA](#) [KME25VB100M-6.3X11](#) [VTL100S10](#) [VTL470S10](#) [VTL470S16A](#) [511D336M250EK5D](#) [052687X](#) [ECE-A1CF471](#)

[NRE-S560M16V6.3X7TBSTF](#) [RGA221M1CTA-0611G](#) [ERZA630VHN182UP54N](#) [UPL1A331MPH](#) [NEV1000M6.3DE](#) [NEV100M16CB](#)

[NEV100M50DD-BULK](#) [NEV2200M16FF](#) [NEV220M50EE](#) [NEV2.2M50AA](#) [NEV330M63EF](#) [NEV4700M35HI](#) [NEV4.7M100BA](#)

[NEV47M16BA](#) [NEV47M50CB-BULK](#) [NEVH1.0M350AB](#)