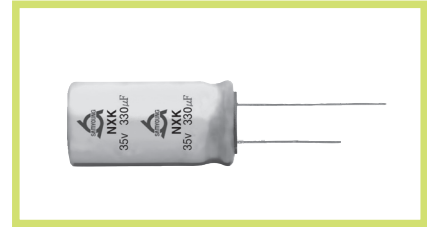
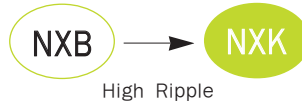


NXK Series

• 105°C 4,000~5,000Hrs assured.

- Non-solvent proof.
- Low Impedance.
- High Ripple.
- For LED TV BLU Inverter, SMPS, IP-Board, Adaptor.
- RoHS compliant.
- Halogen-free capacitors are also available.

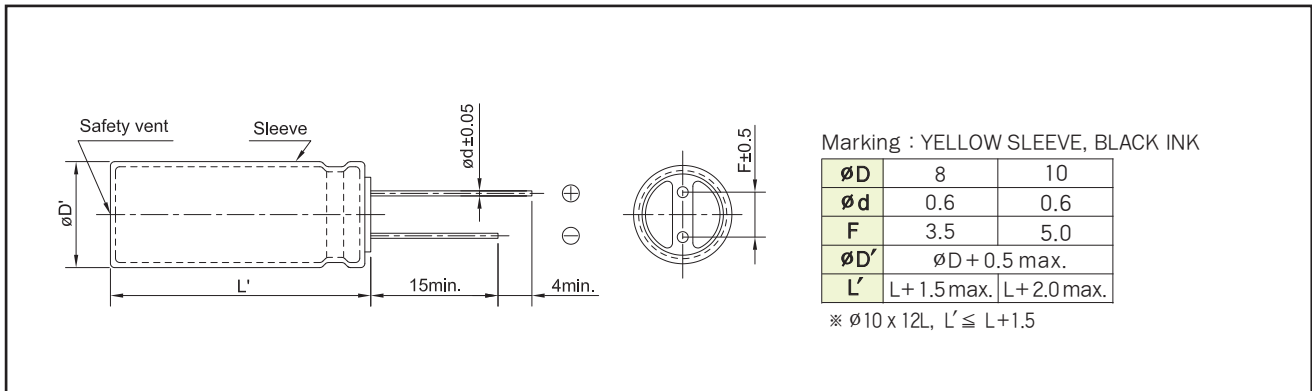


SPECIFICATIONS

Item	Characteristics																			
Rated Voltage Range	10 ~ 50 V _{DC}																			
Operating Temperature Range	-40 ~ + 105°C																			
Capacitance Tolerance	±20% (M) (at 20°C, 120Hz)																			
Leakage Current	I = 0.01CV(μA) or 3μA, whichever is greater. Where, I:Max. leakage current(μA), C:Nominal capacitance(μF), V:Rated voltage(V _{DC}) (at 20°C, 2 minutes)																			
Dissipation Factor(Tanδ)	<table border="1"> <tr> <td>Rated Voltage(V_{DC})</td> <td>10</td> <td>16</td> <td>25</td> <td>35</td> <td>50</td> </tr> <tr> <td>Tanδ(Max.)</td> <td>0.19</td> <td>0.16</td> <td>0.14</td> <td>0.12</td> <td>0.10</td> </tr> </table> <p>When the capacitance exceeds 1,000μF, 0.02 shall be added every 1,000μF increase. (at 20°C, 120Hz)</p>	Rated Voltage(V _{DC})	10	16	25	35	50	Tanδ(Max.)	0.19	0.16	0.14	0.12	0.10							
Rated Voltage(V _{DC})	10	16	25	35	50															
Tanδ(Max.)	0.19	0.16	0.14	0.12	0.10															
Temperature Characteristics (Max. Impedance ratio)	<table border="1"> <tr> <td>Z(-25°C) / Z(+20°C)</td> <td>2</td> </tr> <tr> <td>Z(-40°C) / Z(+20°C)</td> <td>3</td> </tr> </table> <p>(at 120Hz)</p>	Z(-25°C) / Z(+20°C)	2	Z(-40°C) / Z(+20°C)	3															
Z(-25°C) / Z(+20°C)	2																			
Z(-40°C) / Z(+20°C)	3																			
Load Life	<p>The following specifications shall be satisfied when the capacitors are restored to 20°C after the rated voltage with the rated ripple current is applied (the peak voltage shall not exceed the rated voltage) at 105°C for the specified period of time.</p> <table border="1"> <tr> <td>Rated voltage(V_{DC})</td> <td>10</td> <td>16~50</td> <td>Case Size(∅D)</td> <td>Life Time</td> </tr> <tr> <td>Capacitance change</td> <td>≤ ±30% of the initial value</td> <td>≤ ±25% of the initial value</td> <td>∅ 8</td> <td rowspan="2">4,000Hrs</td> </tr> <tr> <td>Tanδ</td> <td colspan="2">≤ 200% of the initial specified value</td> <td>∅ 10x12~12.5L</td> </tr> <tr> <td>Leakage current</td> <td colspan="2">≤ The initial specified value</td> <td>∅ 10</td> <td>5,000Hrs</td> </tr> </table>	Rated voltage(V _{DC})	10	16~50	Case Size(∅D)	Life Time	Capacitance change	≤ ±30% of the initial value	≤ ±25% of the initial value	∅ 8	4,000Hrs	Tanδ	≤ 200% of the initial specified value		∅ 10x12~12.5L	Leakage current	≤ The initial specified value		∅ 10	5,000Hrs
Rated voltage(V _{DC})	10	16~50	Case Size(∅D)	Life Time																
Capacitance change	≤ ±30% of the initial value	≤ ±25% of the initial value	∅ 8	4,000Hrs																
Tanδ	≤ 200% of the initial specified value		∅ 10x12~12.5L																	
Leakage current	≤ The initial specified value		∅ 10	5,000Hrs																
Shelf Life	<p>The following specifications shall be satisfied when the capacitors are restored to 20°C after exposing them for 1,000 hours at 105°C without voltage applied. The rated voltage shall be applied to the capacitors for a minimum of 30 minutes, at least 24 hours and not more than 48 hours before the measurements.</p> <table border="1"> <tr> <td>Rated voltage(V_{DC})</td> <td>10</td> <td>16~50</td> </tr> <tr> <td>Capacitance change</td> <td>≤ ±30% of the initial value</td> <td>≤ ±25% of the initial value</td> </tr> <tr> <td>Tanδ</td> <td colspan="2">±200% of the initial specified value</td> </tr> <tr> <td>Leakage current</td> <td colspan="2">≤ The initial specified value</td> </tr> </table>	Rated voltage(V _{DC})	10	16~50	Capacitance change	≤ ±30% of the initial value	≤ ±25% of the initial value	Tanδ	±200% of the initial specified value		Leakage current	≤ The initial specified value								
Rated voltage(V _{DC})	10	16~50																		
Capacitance change	≤ ±30% of the initial value	≤ ±25% of the initial value																		
Tanδ	±200% of the initial specified value																			
Leakage current	≤ The initial specified value																			
Others	Satisfied characteristics KS C IEC 60384-4																			

DIMENSIONS OF NXK Series

Unit(mm)



RATINGS OF NXK series

Vdc		10		
Capacitance (μF)	ø D×L(mm)	Rated Ripple Current (mArms/105°C, 100kHz)	IMP.	
			(ϕ max./20°C, 100kHz)	(ϕ max./-10°C, 100kHz)
680	8 × 11.5	1,417	0.073	0.29
1,000	8 × 15	2,050	0.059	0.24
1,000	10 × 12	2,190	0.053	0.21
1,000	10 × 12.5	2,190	0.053	0.21
1,500	8 × 20	2,380	0.041	0.16
1,500	10 × 16	2,550	0.038	0.15
1,800	10 × 20	2,880	0.028	0.112
2,200	10 × 25	3,160	0.024	0.096
2,700	10 × 33	3,570	0.020	0.080

Vdc		16		
Capacitance (μF)	ø D×L(mm)	Rated Ripple Current (mArms/105°C, 100kHz)	IMP.	
			(ϕ max./20°C, 100kHz)	(ϕ max./-10°C, 100kHz)
470	8 × 11.5	1,417	0.073	0.29
680	8 × 15	2,050	0.059	0.24
680	10 × 12	2,190	0.053	0.21
680	10 × 12.5	2,190	0.053	0.21
1,000	8 × 20	2,380	0.041	0.16
1,000	10 × 16	2,550	0.038	0.15
1,500	10 × 20	2,880	0.028	0.112
1,800	10 × 25	3,160	0.024	0.096
2,200	10 × 33	3,570	0.020	0.080

Vdc		25		
Capacitance (μF)	ø D×L(mm)	Rated Ripple Current (mArms/105°C, 100kHz)	IMP.	
			(ϕ max./20°C, 100kHz)	(ϕ max./-10°C, 100kHz)
330	8 × 11.5	1,417	0.073	0.29
390	8 × 15	2,050	0.059	0.24
470	10 × 12	2,190	0.053	0.21
470	10 × 12.5	2,190	0.053	0.21
560	8 × 20	2,380	0.041	0.16
680	10 × 16	2,550	0.038	0.15
820	10 × 20	2,880	0.028	0.112
1,000	10 × 25	3,160	0.024	0.096
1,200	10 × 33	3,570	0.020	0.080

Vdc		35		
Capacitance (μF)	ø D×L(mm)	Rated Ripple Current (mArms/105°C, 100kHz)	IMP.	
			(ϕ max./20°C, 100kHz)	(ϕ max./-10°C, 100kHz)
220	8 × 11.5	1,417	0.073	0.29
270	8 × 15	2,050	0.059	0.24
330	10 × 12	2,190	0.053	0.21
330	10 × 12.5	2,190	0.053	0.21
390	8 × 20	2,380	0.041	0.16
470	10 × 16	2,550	0.038	0.15
560	10 × 20	2,880	0.028	0.112
680	10 × 25	3,160	0.024	0.096
1,000	10 × 33	3,570	0.020	0.080

Vdc		50		
Capacitance (μF)	ø D×L(mm)	Rated Ripple Current (mArms/105°C, 100kHz)	IMP.	
			(ϕ max./20°C, 100kHz)	(ϕ max./-10°C, 100kHz)
100	8 × 11.5	1,086	0.096	0.38
120	8 × 15	1,558	0.080	0.32
150	10 × 12	1,612	0.083	0.33
150	10 × 12.5	1,612	0.083	0.33
180	8 × 20	1,888	0.065	0.26
220	10 × 16	1,985	0.057	0.23
270	10 × 20	2,322	0.042	0.17
330	10 × 25	2,626	0.037	0.15
470	10 × 33	2,954	0.033	0.13

RIPPLE CURRENT MULTIPLIERS

Frequency Multipliers

Cap.(μF) \ Freq.(Hz)	120	1k	10k	50k	100k
100 ~ 270	0.50	0.73	0.92	0.95	1.00
330 ~ 680	0.55	0.77	0.94	0.96	1.00
820 ~ 1,800	0.60	0.80	0.96	0.97	1.00
2,200 ~ 2,700	0.70	0.85	0.98	0.99	1.00

X-ON Electronics

Largest Supplier of Electrical and Electronic Components

Click to view similar products for [Aluminium Electrolytic Capacitors - Radial Leaded](#) category:

Click to view products by [SamYoung](#) manufacturer:

Other Similar products are found below :

[LXY50VB4.7M-5X11](#) [RFO-100V471MJ7P#](#) [ECE-A1EGE220](#) [B41041A2687M8](#) [B41041A7226M8](#) [B41044A7157M6](#)
[EKXG201EC3101ML20S](#) [EKZM160ETD471MHB5D](#) [NCD681K10KVY5PF](#) [NEV1000M25EF-BULK](#) [NEV100M35DC](#) [NEV100M63DE](#)
[NEV220M25DD-BULK](#) [NEV.33M100AA](#) [NEV4700M50HB](#) [NEV.47M100AA](#) [NEVH1.0M250AB](#) [NEVH3.3M250BB](#) [NEVH3.3M450CC](#)
[KM4700/16](#) [KME50VB100M-8X11.5](#) [SG220M1CSA-0407](#) [ES5107M016AE1DA](#) [ESMG160ETD102MJ16S](#) [ESX472M16B](#)
[SZ010M1500A5S-1015](#) [227RZS050M](#) [476CKH100MSA](#) [UVX1V101KPA1FA](#) [UVX1V222MHA1CA](#) [KME25VB100M-6.3X11](#)
[VTL100S10](#) [VTL470S10](#) [VTL470S16A](#) [511D336M250EK5D](#) [052687X](#) [ECE-A1CF471](#) [EKMA500ELL4R7ME07D](#) [NRE-](#)
[S560M16V6.3X7TBSTF](#) [RGA221M1CTA-0611G](#) [ERZA630VHN182UP54N](#) [UPL1A331MPH](#) [SK035M0100AZS-0611](#) [MAL214658821E3](#)
[NEV1000M6.3DE](#) [NEV100M16CB](#) [NEV100M50DD-BULK](#) [NEV2200M16FF](#) [NEV220M50EE](#) [NEV2.2M50AA](#)